

DIMENSIONS TABLE

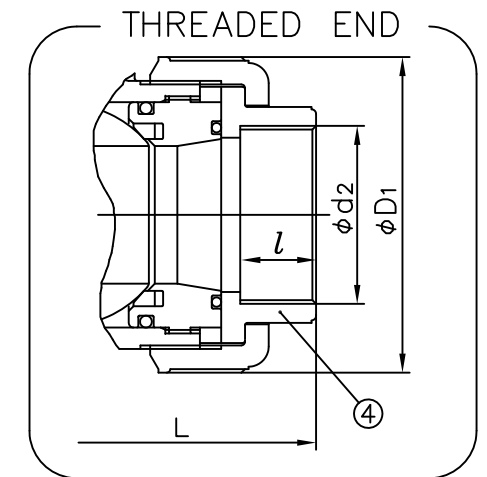
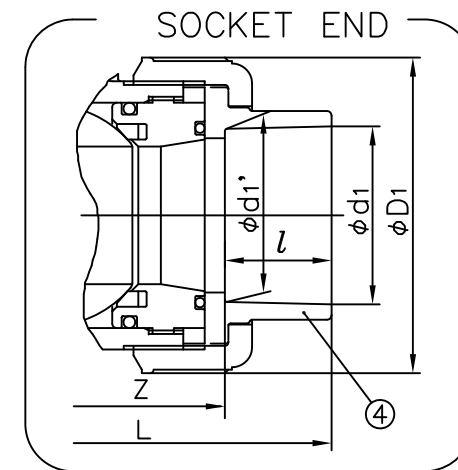
| NOMINAL SIZE | FLANGED END | | | | | | | | | | SOCKET END | | | | | | | | THREADED END | | | | SPIGOT END | | | | | | | | | | | | | |
|--------------|-------------|-----|------|-----|-----|----|----------------|-----|------|-----|----------------|-----|-----|-----|----------------|------------------|--------|------|----------------|-----|----------|------|----------------|-----|------|----------------|----------------|----------|-----|----------------|-----|------|------|------|-----|------|
| | DIN PN10 | | | | | L | | | | | PVC, C-PVC | | | | PP, PVDF | | | | d ₂ | l | L | | | PVC | | | | PP, PVDF | | | | | | | | |
| | d | d' | D | C | n | h | U-PVC C-PVC | PP | PVDF | t | d ₁ | l | Z | L | d ₁ | d ₁ ' | l | Z | | | PP | PVDF | U-PVC C-PVC | PP | PVDF | d ₁ | d ₂ | l | L | d ₁ | l | t | PP | PVDF | PP | PVDF |
| 65mm 2 1/2" | 65 | 58 | 185 | 145 | 4 | 18 | 290 | 288 | 287 | 18 | 75 | 44 | 145 | 233 | 74.25 | 73.95 | 31 | 145 | 205 | 204 | Rp 2 1/2 | 32 | 215 | 213 | 212 | 75 | 65 | 44 | 285 | 75 | 38 | 6.9 | 3.6 | 245 | 244 | |
| 80 | 3 | 78 | 68.5 | 200 | 160 | 8 | 18 | 312 | 311 | 308 | 21 | 90 | 51 | 180 | 284 | 89.2 | 88.85 | 35.5 | 180 | 252 | 249 | Rp 3 | 35 | 265 | 264 | 261 | 90 | 80 | 51 | 299 | 90 | 38 | 8.2 | 4.3 | 296 | 293 |
| 100 | 4 | 100 | 90 | 220 | 180 | 8 | 18 | 352 | 352 | 347 | 18 | 110 | 61 | 227 | 351 | 109.05 | 108.65 | 41.5 | 227 | 312 | 307 | Rp 4 | 45 | 340 | 340 | 335 | 110 | 93.6 | 46 | 358 | 110 | 44.5 | 10.0 | 5.3 | 355 | 350 |

UNIT: mm

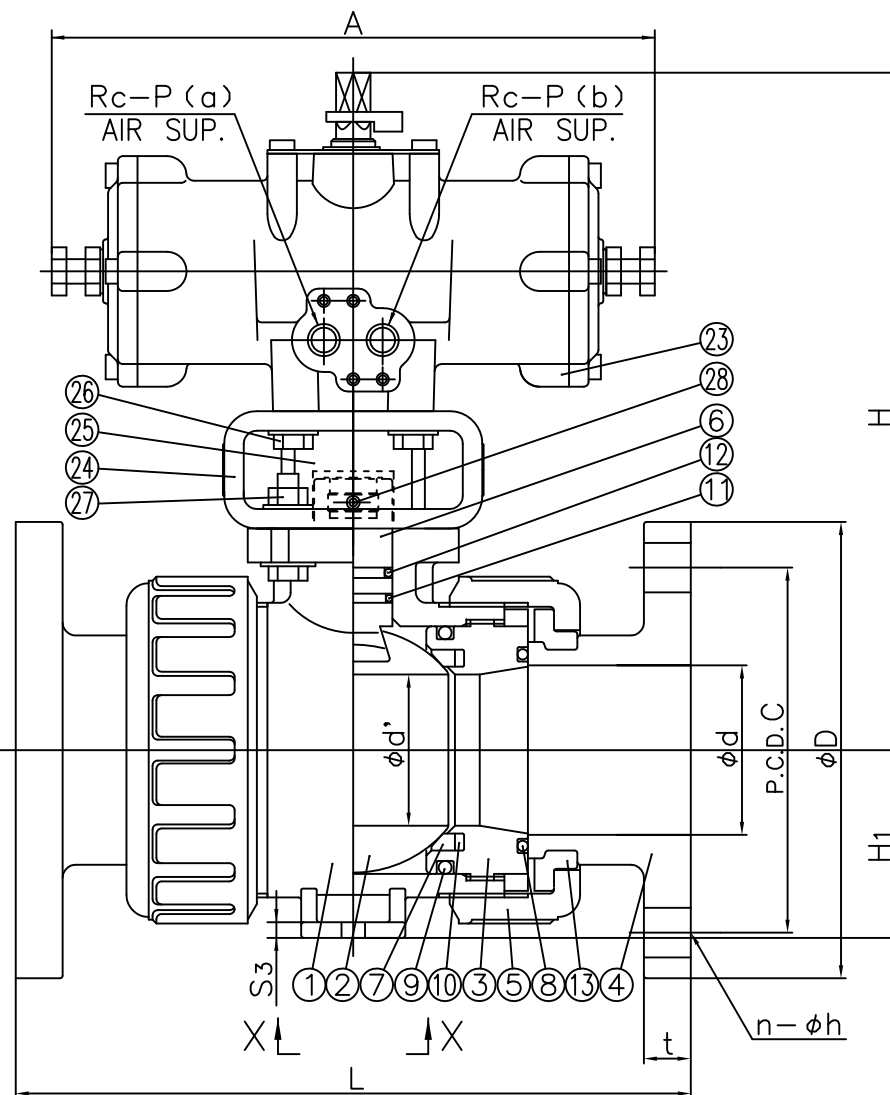
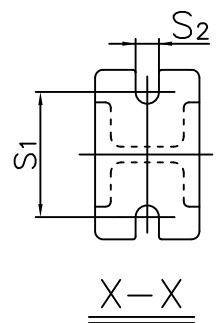
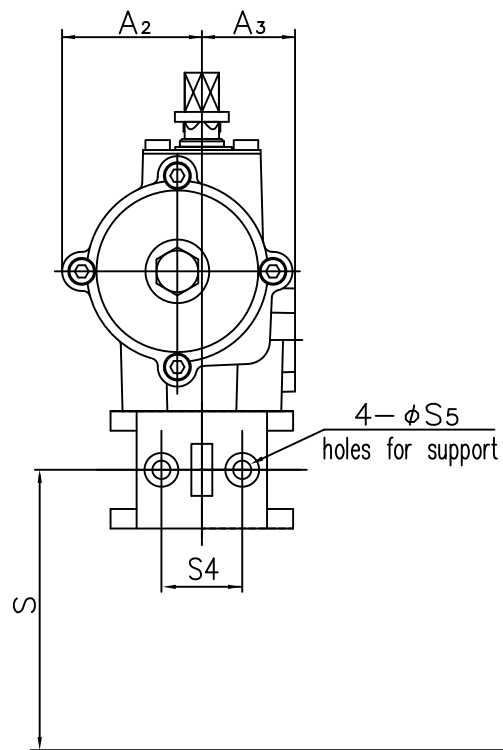
| NOMINAL SIZE | D ₁ | H | H ₁ | A | A ₂ | A ₃ | S | S ₁ | S ₂ | S ₃ | S ₄ | S ₅ | P | ACTUATOR MODEL |
|--------------|----------------|-----|----------------|-----|----------------|----------------|-------|----------------|----------------|----------------|----------------|----------------|-----|----------------|
| 65mm 2 1/2" | 133 | 268 | 72 | 250 | 57 | 38 | 107.5 | 48 | 9 | 6 | 32 | 7 | 1/4 | TA2A-063D |
| 80 | 3 | 152 | 277 | 85 | 57 | 38 | 116.5 | 55 | 11 | 7 | 32 | 7 | 1/4 | TA2A-063D |
| 100 | 4 | 210 | 348 | 110 | 71 | 45 | 151.5 | 65 | 11 | 8 | 42 | 9 | 1/4 | TA2A-080D |

NOTES

- Operating pressure 0.4MPa G
Valve open : Part (a) Exhaust Part (b) Supply
Valve shut : Part (a) Supply Part (b) Exhaust
- The shape and appearance of assembly differ a little with nominal size compared to this drawing.



FLANGED END



| | | | | |
|----|----------------|--------|--|-----------------------|
| 28 | SCREW (B) | 2 | STAINLESS STEEL (SUS304) | |
| 27 | BOLT · NUT (B) | 4 sets | STAINLESS STEEL (SUS304) | |
| 26 | BOLT (A) | 4 | STAINLESS STEEL (SUS304) | |
| 25 | JOINT | 1 | COPPER ALLOY (C3604) | |
| 24 | STAND | 1 | PPG | |
| 23 | ACTUATOR | 1 | ALUMINIUM ALLOYS DIE CASTINGS (ADC12) etc. | meramin baking coat. |
| 13 | STOP RING | 2 | PVDF | used for flanged end. |
| 12 | O-RING (E) | 1 | □ EPDM | |
| 11 | O-RING (D) | 1 | □ FKM | |
| 10 | CUSHION | 2 | □ Others | |
| 9 | O-RING (B) | 1 | () | |
| 8 | O-RING (A) | 2 | () | |
| 7 | SEAT | 2 | PTFE | |
| 6 | STEM | 1 | □ PVC | |
| 5 | UNION NUT | 2 | □ C-PVC | |
| 4 | END CONNECTOR | 2 | □ PP | |
| 3 | CARRIER | 1 | □ PP | |
| 2 | BALL | 1 | □ PP | |
| 1 | BODY | 1 | □ PVDF | |

| No. | DESCRIPTION | No.REQ'D | MATERIAL | REMARKS |
|---|-------------|-------------|----------|---------|
| BALL VALVE (TYPE 21) PNEUMATIC MODEL TA TYPE ASS'Y DOUBLE ACTING DIN □ FLANGED END, □ SOCKET END, □ THREADED END 65 mm (2 1/2") ~ 100 mm (4") | | | | |
| DRAWN | E.Enmei | DATE | SCALE | |
| CHECKED | H.Iguchi | DEC.9.2005 | | |
| APPROVED | H.Tsuda | DRAWING No. | | |
| SPECIAL ORDER No. | IB-AA002DE | | | 3 |
| ASAHI YUKIZAI CORPORATION | | | | |