

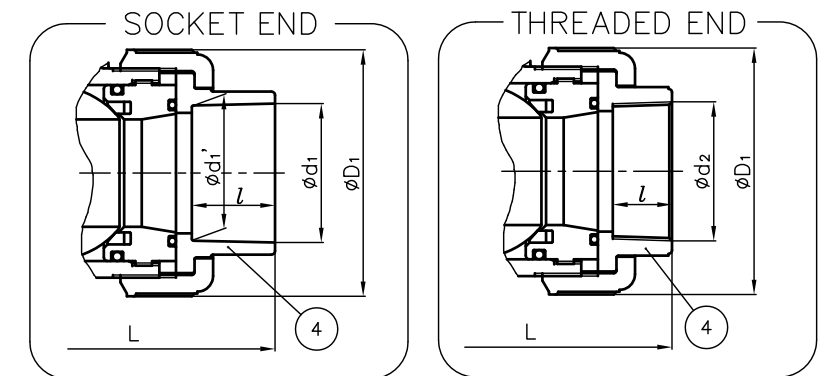
DIMENSIONS TABLE

Nominal Size	d	d'	FLANGED END									SOCKET END (IPS)								THREADED END							
			ANSI Class 150				L					PVC, C-PVC				PP, PVDF				d ₂	l	L					
			D	C	n	h	U-PVC C-PVC	PP	PVDF	t	ASTM SCH40			ASTM SCH80			L	d ₁	l			PP	PVDF				
											d ₁	d ₁ '	l	L	d ₁	d ₁ '								l	L		
65 ^{mm} 2½"	65	58	178	139.5	4	19	259	257	256	18	-	-	-	-	73.381	72.847	44.5	240	73.125	44.5	238	237	2½-8 NPT	32	215	213	212
80	78	68.5	191	152.5	4	19	306	305	302	18	-	-	-	-	89.306	88.697	47.6	283	88.392	47.6	282	279	3-8 NPT	35	265	264	261
100	100	90	229	190.5	8	19	374	374	369	18	114.757	114.071	50.8	352	-	-	-	-	113.792	57.2	365	359	4-8 NPT	45	362	362	357

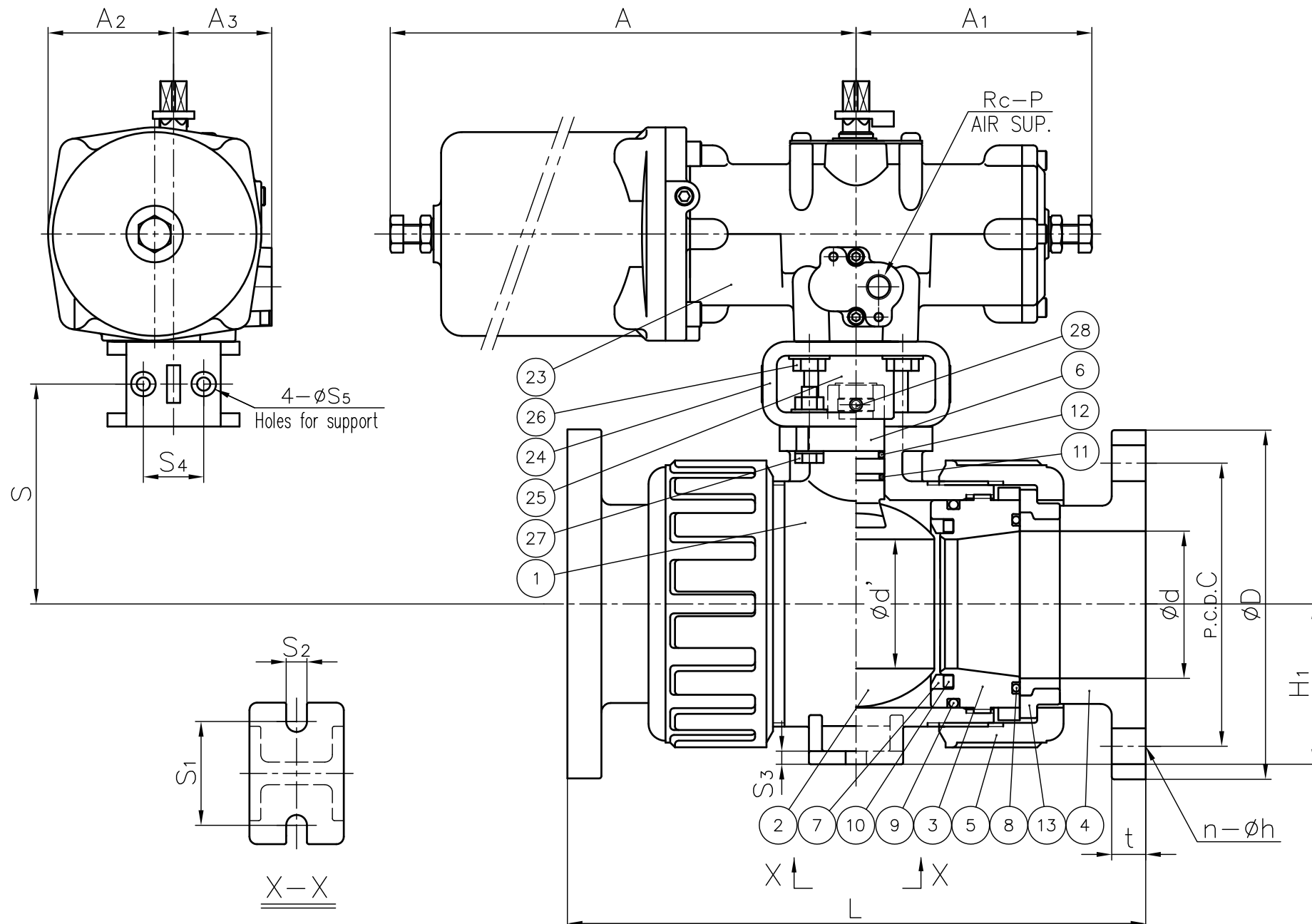
Unit : mm

Nominal Size	D ₁	H	H ₁	A	A ₁	A ₂	A ₃	S	S ₁	S ₂	S ₃	S ₄	S ₅	P	Actuator Type
65 ^{mm} 2½"	133	268	72	288	125	66.5	52	107.5	48	9	6	32	7	1/4	TA2A-063R
80	152	277	85	288	125	66.5	52	116.5	55	11	7	32	7	1/4	TA2A-063R
100	210	348	110	341	146	82.5	59	151.5	65	11	8	42	9	1/4	TA2A-080R

NOTE. 1. Operating pressure: 0.4MPa G
 Air to open; Air-less open
 Air to shut; Air-less shut
 2. The shape and appearance of assembly differ a little with nominal size compared to this drawing.



FLANGED END



28	SCREW (B)	2	STAINLESS STEEL (SUS304)	
27	BOLT · NUT (B)	4sets	STAINLESS STEEL (SUS304)	
26	BOLT (A)	4	STAINLESS STEEL (SUS304)	
25	JOINT	1	COPPER ALLOY (C3604)	
24	STAND	1	PPG	
23	ACTUATOR	1	ALUMINIUM ALLOYS DIE CASTINGS (ADC12) etc.	Meramin Baking Coat.
13	STOP RING	2	PVDF	Used for Flanged End
12	O-RING (E)	1		
11	O-RING (D)	1	□EPDM	
10	CUSHION	2	□FKM	
9	O-RING (B)	1	□Others	
8	O-RING (A)	2	()	
7	SEAT	2	PTFE	
5	UNION NUT	2		
4	END CONNECTOR	2	□PVC	
3	CARRIER	1	□C-PVC	
2	BALL	1	□PP	
1	BODY	1	□PVDF	
No.	DESCRIPTION	QTY.	MATERIAL	REMARKS

ITEM	BALL VALVE (TYPE21) PNEUMATIC MODEL TA TYPE ASS'Y □AIR TO OPEN, □AIR TO SHUT ANSI; □FLANGED END, □SOCKET END, □THREADED END 65 ^{mm} (2½") ~ 100 ^{mm} (4")		
DRAWN	M.Yamamoto	DATE	SCALE
CHECKED	H.Kawano	FEB.22.2011	~
APPROVED	Y.Ozaki	DRAWING No.	
SPECIAL ORDER No.	IB-AA004AE _m	△	
ASAHI YUKIZAI CORPORATION			