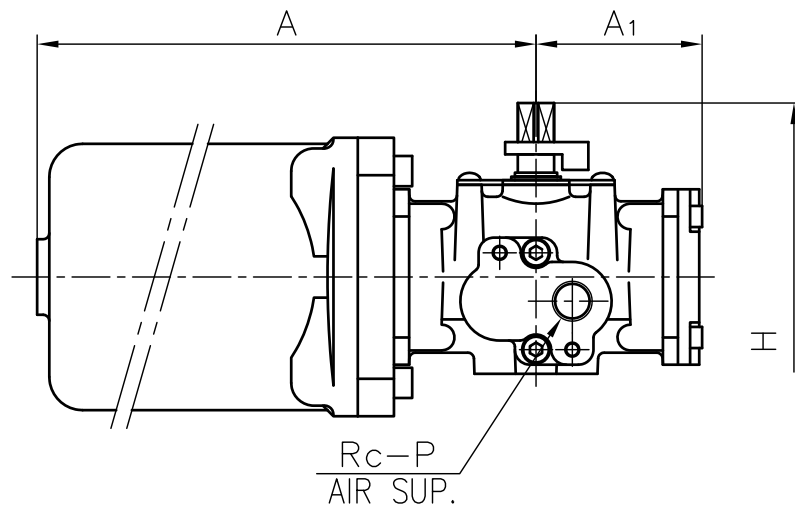


Appearance of TA2A-0402R



DIMENSIONS TABLE

Nominal Size	d	FLANGED END							SOCKET END						THREADED END				
		ANSI Class 150					L	t	PVC, C-PVC			PP, PVDF			d <sub>2</sub>	l	L		
		D	C	n	h	ASTM SCH80			L	d <sub>1</sub>	l	L	PVC C-PVC	PVDF PP					
						d <sub>1</sub>											d <sub>1</sub> '	l	
1/2"	15mm	0.59	3.50	2.38	4	0.62	5.63	0.47	0.848	0.836	0.875	4.45	0.83	0.87	4.41	1/2 -14NPT	0.59	4.02	3.94
3/4	20	0.79	3.88	2.75	4	0.62	6.77	0.55	1.058	1.046	1.000	5.08	1.03	1.00	5.00	3/4 -14NPT	0.67	4.72	4.69
1	25	0.98	4.25	3.12	4	0.62	7.36	0.55	1.325	1.310	1.125	5.71	1.30	1.13	5.63	1 - 11 1/2 NPT	0.79	5.16	5.12
1 1/4	32	1.26	4.62	3.50	4	0.62	7.48	0.63	1.670	1.655	1.250	6.46	1.65	1.25	6.30	1 1/4 - 11 1/2 NPT	0.87	5.91	5.75
1 1/2	40	1.57	5.00	3.88	4	0.62	8.35	0.63	1.912	1.894	1.375	7.24	1.89	1.37	7.05	1 1/2 - 11 1/2 NPT	0.98	6.42	6.30
2	50	2.01	6.00	4.75	4	0.75	9.21	0.63	2.387	2.369	1.500	8.23	2.36	1.50	8.03	2 - 11 1/2 NPT	1.10	7.76	7.64

Unit:inch

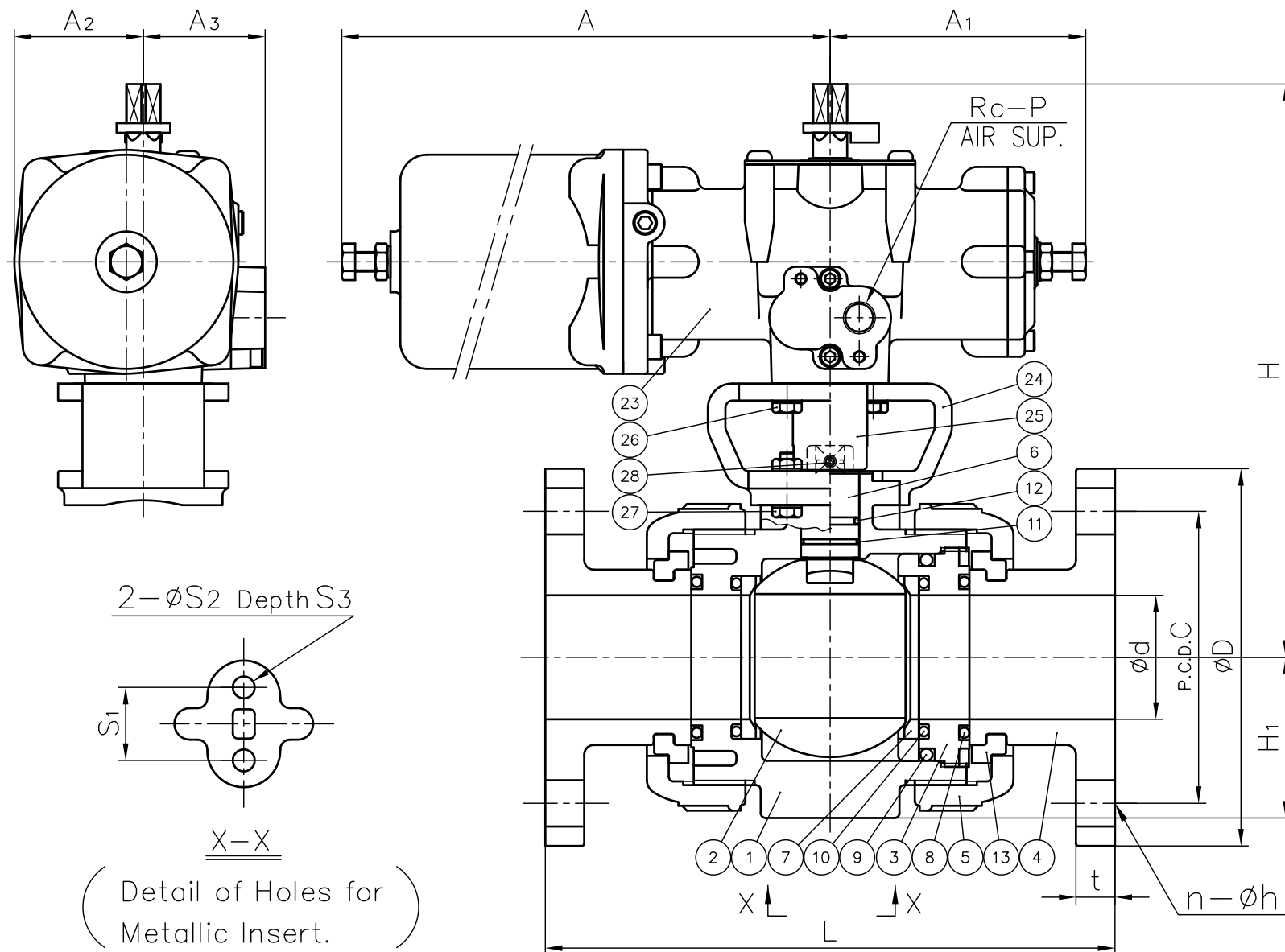
Nominal Size		D <sub>1</sub>	H	H <sub>1</sub>	A	A <sub>1</sub>	A <sub>2</sub>	A <sub>3</sub>	S <sub>1</sub>	S <sub>2</sub>	S <sub>3</sub>	P	Actuator Type
1/2"	15mm	1.89	6.28	1.14	7.64	2.17	1.81	1.81	0.75	0.29	0.43	1/4	TA2A-0402R
3/4	20	2.36	6.54	1.38	7.64	2.17	1.81	1.81	0.75	0.29	0.43	1/4	TA2A-0402R
1	25	2.76	6.81	1.54	7.64	2.17	1.81	1.81	0.75	0.29	0.43	1/4	TA2A-0402R
1 1/4	32	3.23	7.17	1.85	7.64	2.17	1.81	1.81	1.18	0.35	0.59	1/4	TA2A-0402R
1 1/2	40	3.94	8.82	2.17	9.45	4.13	2.09	1.97	1.18	0.35	0.59	1/4	TA2A-050R
2	50	4.96	9.27	2.60	9.45	4.13	2.09	1.97	1.18	0.35	0.59	1/4	TA2A-050R

NOTE.

- Operating pressure: 0.4-0.7MPa G  
Air to open; Air-less shut  
Air to shut; Air-less open
- The shape and appearance of assembly differ a little with nominal size and material compared to this drawing.

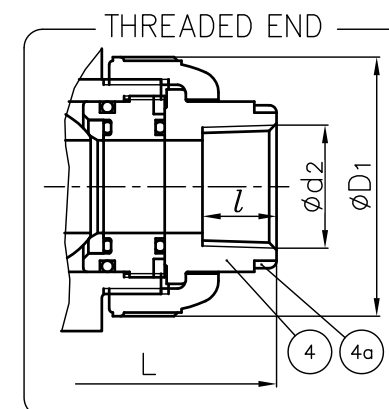
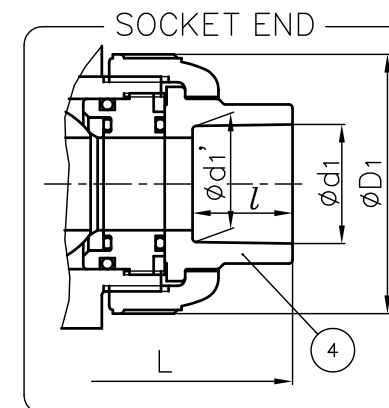
FLANGED END

1 1/2" (40mm) · 2" (50mm)



MODEL CLASSIFICATION TABLE

TYPE	MATERIAL
21ALPHA	PVC C-PVC
21	PP PVDF



4a	RING	2	STAINLESS STEEL (SUS304)	Used for C-PVC Body, Threaded End: 1/2"-1"
28	SCREW (B)	2	STAINLESS STEEL (SUS304)	
27	BOLT · NUT (B)	4sets	STAINLESS STEEL (SUS304)	
26	BOLT (A)	4	STAINLESS STEEL (SUS304)	
25	JOINT	1	COPPER ALLOY (C3604)	
24	STAND	1	PPG	
23	ACTUATOR	1	ALUMINIUM ALLOYS DIE CASTINGS (ADC12) etc.	meramin baking coat.
13	STOP RING	2	PVDF	Used for Flanged End
12	O-RING (E)	1		
11	O-RING (D)	1	□EPDM	
10	O-RING (C)	2	□FKM	
9	O-RING (B)	1	□Others	
8	O-RING (A)	2	( )	
7	SEAT	2	PTFE	
6	STEM	1		
5	UNION NUT	2	□PVC	
4	END CONNECTOR	2	□C-PVC	
3	CARRIER	1	□PP	
2	BALL	1	□PVDF	
1	BODY	1		
No.	DESCRIPTION	QTY.	MATERIAL	REMARKS

ITEM BALL VALVE (TYPE21·21ALPHA) PNEUMATIC MODEL TA TYPE ASS'Y  
 □AIR TO OPEN, □AIR TO SHUT  
 ANSI ; □FLANGED END, □SOCKET END, □THREADED END  
 1/2" (15mm) ~ 2" (50mm)

DRAWN	E.Emmei	DATE	SCALE
CHECKED	H.Kawano	JUL.22.2015	~
APPROVED	H.Kourogi	DRAWING No.	
SPECIAL ORDER No.	IB-AA158AE		
<b>ASAHI YUKIZAI CORPORATION</b>			