

DIMENSIONS TABLE

Nominal Size	FLANGED END										SOCKET END				THREADED END				SPIGOT END								
	DIN PN10					L					PVC, C-PVC		PP, PVDF		L		PVC		PP, PVDF		L						
	d	D	C	n	h	PVC C-PVC	PP PVDF	t	d1	l	L	d1	d1'	l	L	d2	l	PVC C-PVC	PP PVDF	d3	d3'	l	d3	l	PP	PVDF	L
15mm 1/2"	15	95	65	4	14	130	130	12	20	16	102	19.5	19.3	14.5	99	Rp 1/2	15	102	100	20	15	18.5	20	18.5	2.5	1.9	124
20 3/4"	20	105	75	4	14	150	150	14	25	19	119	24.5	24.3	16	113	Rp 3/4	17	120	119	25	20	24	25	22	2.7	1.9	144
25 1"	25	115	85	4	14	160	160	14	32	22	131	31.5	31.3	18	123	Rp 1	20	131	130	32	25	24.5	32	22.5	3.0	2.4	154
32 1 1/4"	32	140	100	4	18	180	180	16	40	26	150	39.45	39.2	20.5	139	Rp 1 1/4	22	150	146	40	31	28	40	26	3.7	2.4	174
40 1 1/2"	40	150	110	4	18	200	200	16	50	31	164	49.45	49.2	23.5	149	Rp 1 1/2	25	163	160	50	40	34	50	32	4.6	3.0	194
50 2"	51	165	125	4	18	230	230	16	63	38	197	62.5	62.1	27.5	176	Rp 2	28	197	194	63	51	38	63	36	5.8	3.0	224

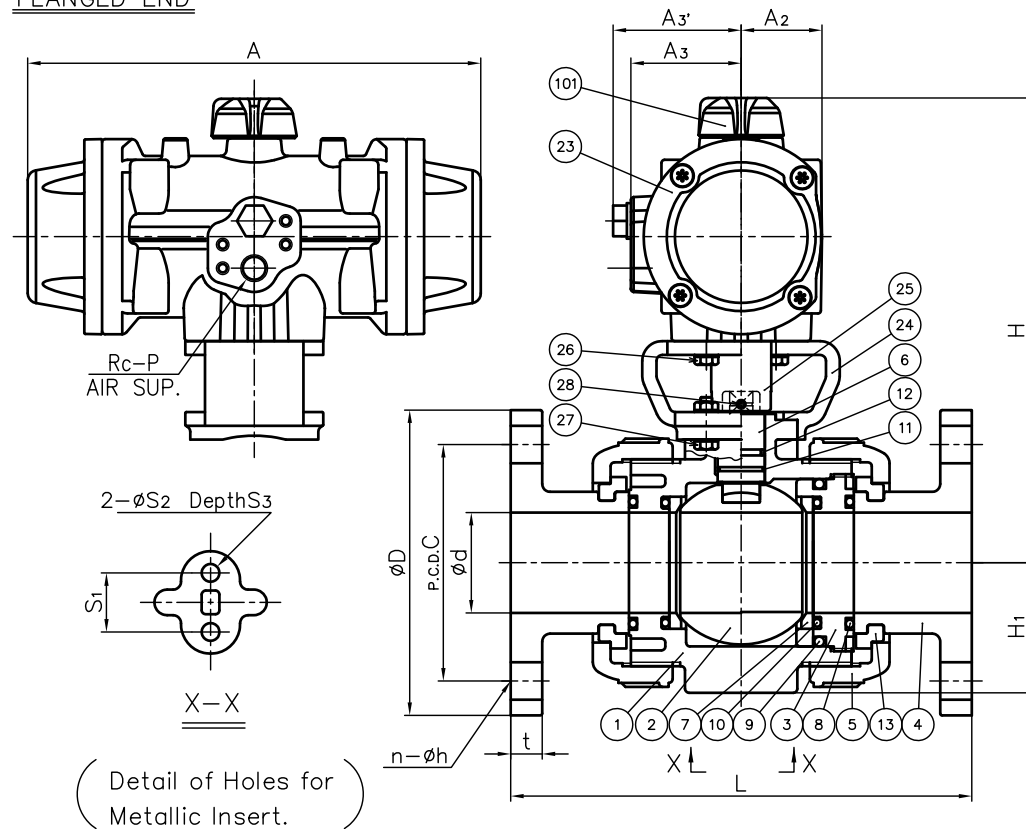
Unit : mm

Nominal Size	D1	H	A	A2	A3	A3'	H1	S1	S2	S3	P	ACTUATOR TYPE
15mm 1/2"	48	172	157	31	48	57	29	19	7.3	11	1/4	PP00S
20 3/4"	60	178.5	157	31	48	57	35	19	7.3	11	1/4	PP00S
25 1"	70	185.5	157	31	48	57	39	19	7.3	11	1/4	PP00S
32 1 1/4"	82	194.5	157	31	48	57	47	30	9	15	1/4	PP00S
40 1 1/2"	100	224	230	41	56	65	55	30	9	15	1/4	PP10S
50 2"	126	235.5	230	41	56	65	66	30	9	15	1/4	PP10S

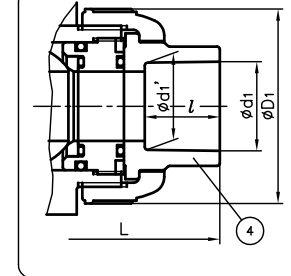
MODEL CLASSIFICATION TABLE

TYPE	MATERIAL
21ALPHA	PVC C-PVC
21	PP PVDF

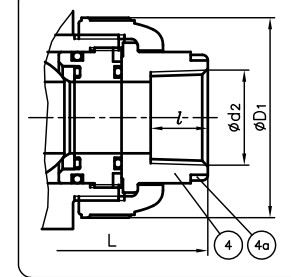
FLANGED END



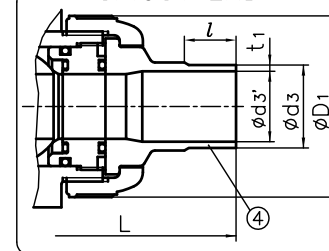
SOCKET END



THREADED END



SPIGOT END



NOTE.

- Operating pressure : 0.4-0.6MPa G
Air to shut : Air-less open
- The shape and appearance of assembly differ a little with nominal size and material compared to this drawing.

NO.	DESCRIPTION	QTY.	MATERIAL	REMARKS
4a	RING	2	STAINLESS STEEL (SUS304)	Used for C-PVC Body, Threaded End: 15-25mm
101	POSITION INDICATOR (A)	1	polyamide	PP00S, PP10S
28	SCREW (B)	2	STAINLESS STEEL (SUS304)	
27	BOLT · NUT (B)	4-sets	STAINLESS STEEL (SUS304)	
26	BOLT (A)	4	STAINLESS STEEL (SUS304)	
25	JOINT	1	COPPER ALLOY (C3604)	
24	STAND	1	PPG	
23	ACTUATOR	1	PA etc.	
13	STOP RING	2	PVDF	Used for Flanged End.
12	O-RING (E)	1		
11	O-RING (D)	1	□ EPDM □ FKM □ Others	
10	O-RING (C)	2		
9	O-RING (B)	1		
8	O-RING (A)	2		
7	SEAT	2	PTFE	
6	STEM	1		
5	UNION NUT	2	□ PVC □ C-PVC □ PP □ PVDF	
4	END CONNECTOR	2		
3	CARRIER	1		
2	BALL	1		
1	BODY	1		

ITEM	BALL VALVE (TYPE21·21ALPHA) PNEUMATIC MODEL AA TYPE ASS'Y AIR TO SHUT DIN : □FLANGED END, □SOCKET END, □THREADED END, □SPIGOT END 15mm (1/2") ~ 50mm (2")		
DRAWN	M.Iwakiri	DATE	SCALE
CHECKED	H.Kawano	JUN.18.2019	~
APPROVED	K.Koushou	DRAWING No.	
SPECIAL ORDER No.	IB-AA218DE		
ASAHI YUKIZAI CORPORATION			