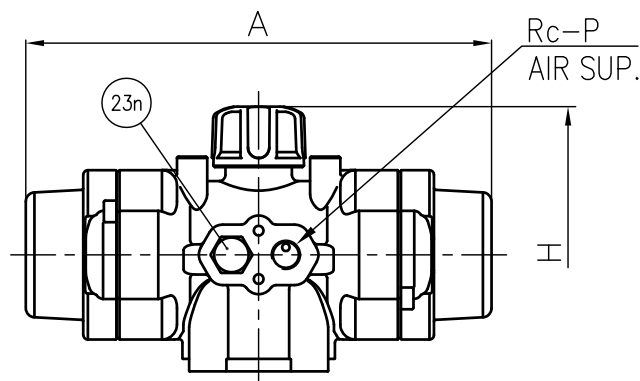


Actuator Shape (AR040)



DIMENSIONS TABLE

Nominal Size	FLANGE END								SOCKET END				THREADED END			SPIGOT END											
	DIN PN10								PVC, C-PVC		PP, PVDF		L			PVC		PP, PVDF		t1							
	d	D	C	n	h	L	t	d1	l	L	d1	d1'	l	L	d2	l	PVC C-PVC	PP PVDF	d3	d3'	l	d3	l	PP	PVDF	L	
15mm	1/2"	15	95	65	4	14	130	12	20	16	102	19.5	19.3	14.5	99	Rp 1/2	15	102	100	20	15	18.5	20	18.5	2.5	1.9	124
20	3/4"	20	105	75	4	14	150	14	25	19	119	24.5	24.3	16	113	Rp 3/4	17	120	119	25	20	24	25	22	2.7	1.9	144
25	1"	25	115	85	4	14	160	14	32	22	131	31.5	31.3	18	123	Rp 1	20	131	130	32	25	24.5	32	22.5	3.0	2.4	154
32	1 1/4"	32	140	100	4	18	180	16	40	26	150	39.45	39.2	20.5	139	Rp 1 1/4	22	150	146	40	31	28	40	26	3.7	2.4	174
40	1 1/2"	40	150	110	4	18	200	16	50	31	164	49.45	49.2	23.5	149	Rp 1 1/2	25	163	160	50	40	34	50	32	4.6	3.0	194
50	2"	51	165	125	4	18	230	16	63	38	197	62.5	62.1	27.5	176	Rp 2	28	197	194	63	51	38	63	36	5.8	3.0	224

MODEL CLASSIFICATION TABLE

TYPE	MATERIAL
21ALPHA	PVC C-PVC
21	PP PVDF

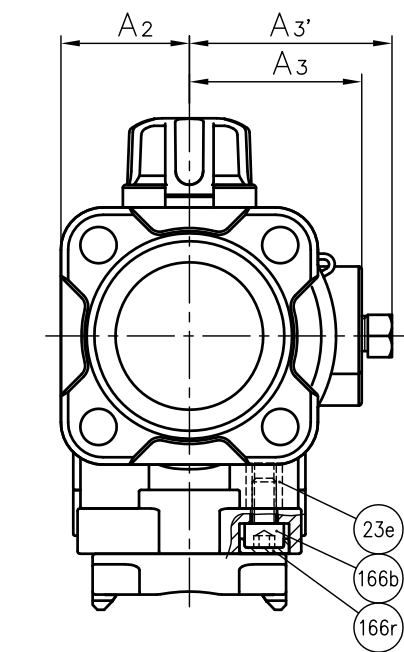
Unit: mm

Nominal Size	D1	H	H1	A	A2	A3	A3'	S1	S2	S3	P	ACTUATOR TYPE		
												Air to open	Air to shut	
15mm	1/2"	48	131	29	154	28	38	46	19	7.3	11	1/8	AR040NC20CN	AR040NO20CN
20	3/4"	60	137.5	35	154	28	38	46	19	7.3	11	1/8	AR040NC20CN	AR040NO20CN
25	1"	70	144.5	39	154	28	38	46	19	7.3	11	1/8	AR040NC20CN	AR040NO20CN
32	1 1/4"	82	178	47	194	35	49	59	30	9	15	1/4	AR050NC30CN	AR050NO30CN
40	1 1/2"	100	208.5	55	254	42.5	57	67	30	9	15	1/4	AR063NC40CN	AR063NO40CN
50	2"	126	220	66	254	42.5	57	67	30	9	15	1/4	AR063NC40CN	AR063NO40CN

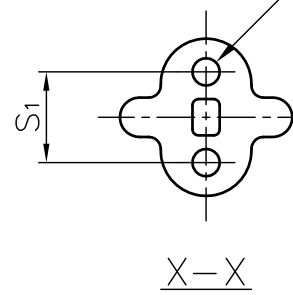
NOTE.

- Operation of permission pressure: 0.4~0.7MPa G
 Air to open; Valve open : Supply
 Valve shut : Exhaust
 Air to shut; Valve open : Exhaust
 Valve shut : Supply
- The shape and appearance of assembly differ a little with nominal size compared to this drawing.

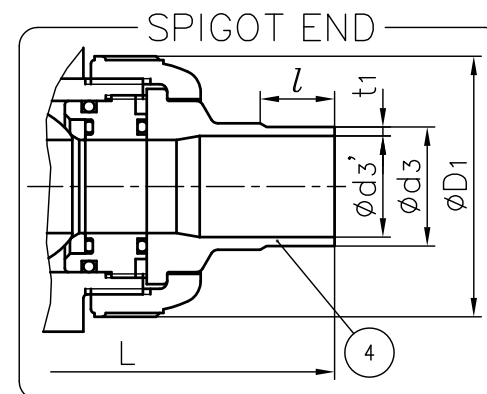
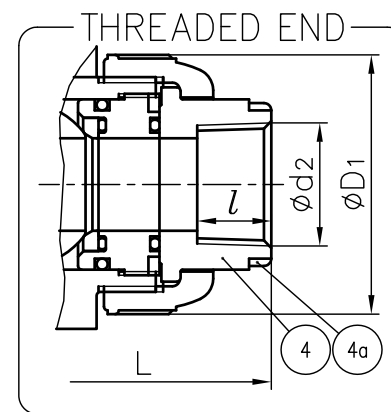
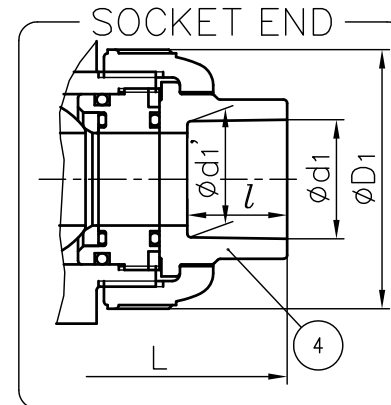
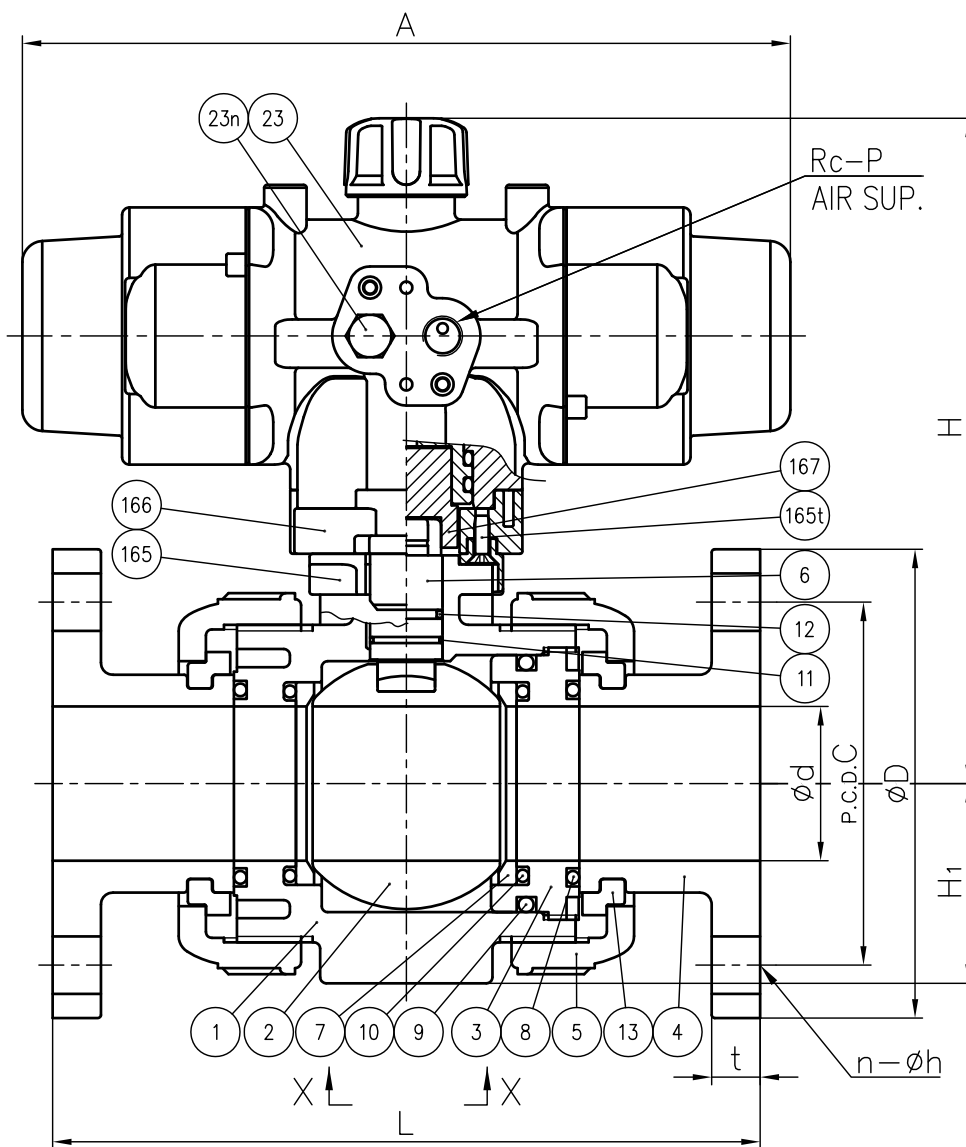
FLANGE END



2-φS2 Depth S3



(Detail of Holes for Metallic Insert)



4a	RING	2	STAINLESS STEEL (SUS304)	Used for C-PVC Body, Threaded End: 1/2"~1"
167	SHAFT ADAPTER	1	COPPER ALLOY (C3604)	
166r	CAP (No.166)	4	EPDM	
166b	BOLT (No.166)	4	STAINLESS STEEL (SUS304)	
166	CONNECTOR PLATE	1	PPG	
165t	TAPPING SCREW (No.165)	2	STAINLESS STEEL (SUS304)	
165	BASE PLATE	1	PPG	
23n	NIPPLE	1	PPG	
23e	ENSAT (No.23)	4	COPPER ALLOY (C3604)	
23	ACTUATOR	1	PPG etc.	
13	STOP RING	2	PVDF	Used for Flanged End
12	O-RING (E)	1	□EPDM □FKM □Others	
11	O-RING (D)	1		
10	O-RING (C)	2		
9	O-RING (B)	1		
8	O-RING (A)	2		
7	SEAT	2	PTFE	
6	STEM	1		
5	UNION NUT	2	□PVC	
4	END CONNECTOR	2	□C-PVC	
3	CARRIER	1	□PP	
2	BALL	1	□PVDF	
1	BODY	1		
No.	DESCRIPTION	QTY.	MATERIAL	REMARKS
ITEM	BALL VALVE (TYPE21-21ALPHA) PNEUMATIC ACTUATED MODEL TYPE AR ASS'Y □ AIR TO OPEN, □ AIR TO SHUT DIN: □ FLANGED END, □ SOCKET END, □ THREADED END, □ SPIGOT END 15mm (1/2") ~ 50mm (2")			
DRAWN	A.Kano	DATE	SCALE	
CHECKED	H.Iguchi	OCT.27.2017	DRAWING No.	
APPROVED	H.korogi	IB-AA260DE	△	
SPECIAL ORDER No.	ASAHI YUKIZAI CORPORATION			