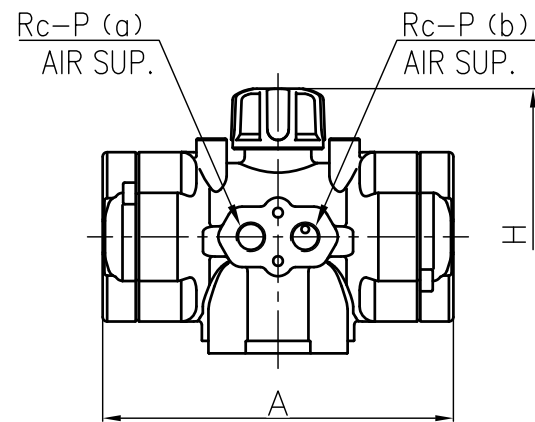


Actuator Shape (AR032,AR040)



DIMENSIONS TABLE

Nominal Size	FLANGE END								SOCKET END						THREADED END				
	ANSI Class 150								PVC, C-PVC			PP,PVDF			L				
	d	D	C	n	h	L	t	ASTM SCH80			d2	l	L	PVC C-PVC	PP PVDF				
								d1	d1'	l									
1/2"	15mm	0.59	3.50	2.38	4	0.62	5.63	0.47	0.848	0.836	0.875	4.45	0.83	0.87	4.41	1/2 - 14 NPT	0.59	4.02	3.94
3/4	20	0.79	3.88	2.75	4	0.62	6.77	0.55	1.058	1.046	1.000	5.08	1.03	1.00	5.00	3/4 - 14 NPT	0.67	4.72	4.69
1	25	0.98	4.25	3.12	4	0.62	7.36	0.55	1.325	1.310	1.125	5.71	1.30	1.13	5.63	1 - 11 1/2 NPT	0.79	5.16	5.12
1 1/4	32	1.26	4.62	3.50	4	0.62	7.48	0.63	1.670	1.655	1.250	6.46	1.65	1.25	6.30	1 1/4 - 11 1/2 NPT	0.87	5.91	5.75
1 1/2	40	1.57	5.00	3.88	4	0.62	8.35	0.63	1.912	1.894	1.375	7.24	1.89	1.37	7.05	1 1/2 - 11 1/2 NPT	0.98	6.42	6.30
2	50	2.01	6.00	4.75	4	0.75	9.21	0.63	2.387	2.369	1.500	8.23	2.36	1.50	8.03	2 - 11 1/2 NPT	1.10	7.76	7.64

MODEL CLASSIFICATION TABLE

TYPE	MATERIAL
21 ALPHA	PVC C-PVC
21	PP PVDF

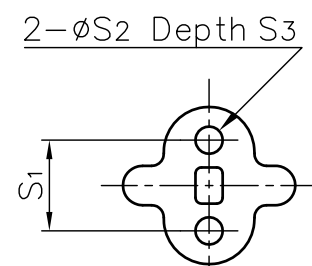
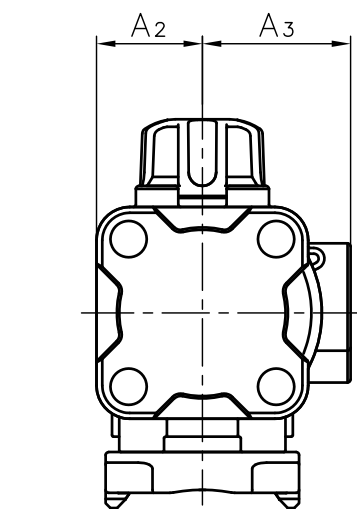
Unit: inch

Nominal Size	D1	H	H1	A	A2	A3	S1	S2	S3	P	ACTUATOR TYPE	
1/2"	15mm	1.89	4.31	1.14	3.70	0.89	1.26	0.75	0.29	0.43	1/8	AR032DA10NN
3/4	20	2.36	4.57	1.38	3.70	0.89	1.26	0.75	0.29	0.43	1/8	AR032DA11NN
1	25	2.76	4.84	1.54	3.70	0.89	1.26	0.75	0.29	0.43	1/8	AR032DA11NN
1 1/4	32	3.23	5.65	1.85	4.57	1.10	1.50	1.18	0.35	0.59	1/8	AR040DA20NN
1 1/2	40	3.94	6.87	2.17	5.79	1.38	1.93	1.18	0.35	0.59	1/4	AR050DA30NN
2	50	4.96	7.32	2.60	5.79	1.38	1.93	1.18	0.35	0.59	1/4	AR050DA30NN

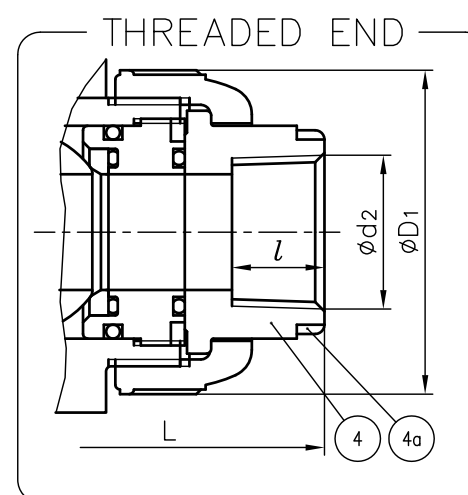
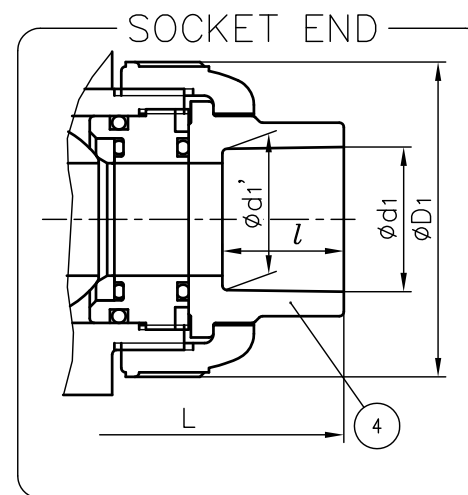
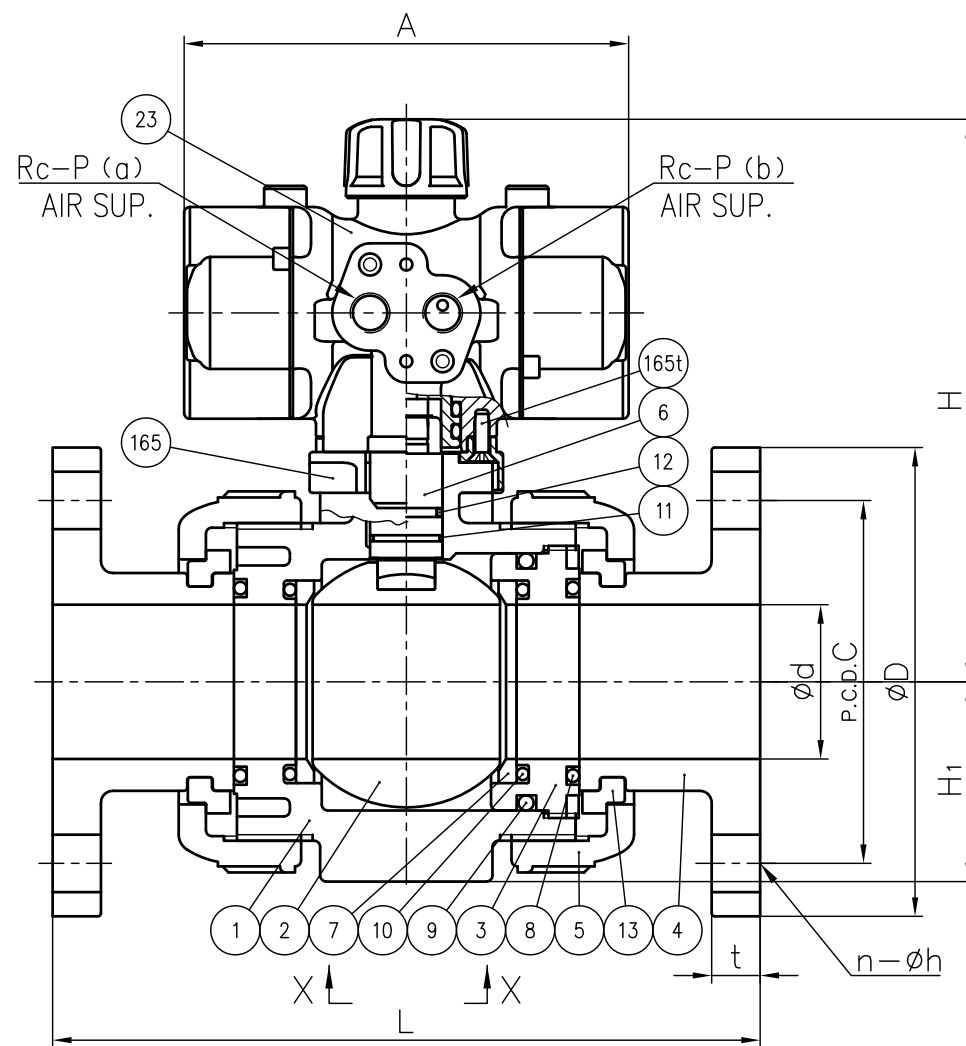
NOTE.

- Operation of permission pressure : 0.4~0.7MPa G
Valve open : (a) Exhaust, (b) Supply
Valve shut : (a) Supply, (b) Exhaust
- The shape and appearance of assembly differ a little with nominal size compared to this drawing.

FLANGE END



(Detail of Holes for Metallic Insert)



4a	RING	2	STAINLESS STEEL (SUS304)	Used for C-PVC Body, Threaded End: 1/2"~1"
165t	TAPPING SCREW (No.165)	2	STAINLESS STEEL (SUS304)	
165	BASE PLATE	1	PPG	
23	ACTUATOR	1	PPG etc.	
13	STOP RING	2	PVDF	Used for Flanged End
12	O-RING (E)	1	□EPDM □FKM □Others	
11	O-RING (D)	1		
10	O-RING (C)	2		
9	O-RING (B)	1		
8	O-RING (A)	2		
7	SEAT	2	PTFE	
6	STEM	1		
5	UNION NUT	2	□PVC	
4	END CONNECTOR	2	□C-PVC	
3	CARRIER	1	□PP	
2	BALL	1	□PVDF	
1	BODY	1		
No.	DESCRIPTION	QTY.	MATERIAL	REMARKS
ITEM	BALL VALVE (TYPE21-21ALPHA) PNEUMATIC ACTUATED MODEL TYPE AR ASS'Y DOUBLE ACTING ANSI: □ FLANGED END, □ SOCKET END, □ THREADED END 1/2" (15mm) ~ 2" (50mm)			
DRAWN	A.Kano	DATE	SCALE	
CHECKED	H.Iguchi	OCT.27.2017	~	
APPROVED	H.korogi	DRAWING No.		
		IB-AA261AE		△
SPECIAL ORDER No.				
ASAHI YUKIZAI CORPORATION				