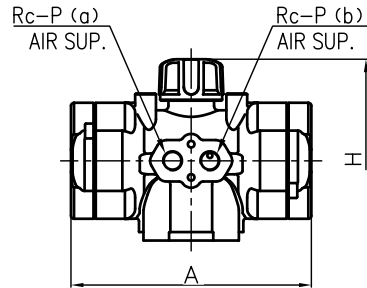


Actuator Shape (AR032,AR040)



DIMENSIONS TABLE

Nominal Size	d	FLANGE END						SOCKET END						THREADED END					
		ANSI Class 150						PVC, C-PVC			PP,PVDF					L			
		D	C	n	h	L	t	ASTM SCH80			d1	l	L	d2	l	PVC C-PVC	PP PVDF		
								d1	d1'	l									
15mm	1/2"	15	89	60.5	4	16	143	12	21.54	21.23	22.22	113	20.96	22.2	112	1/2 - 14 NPT	15	102	100
20	3/4	20	98	70	4	16	172	14	26.87	26.57	25.40	129	26.16	25.4	127	3/4 - 14 NPT	17	120	119
25	1	25	108	79.5	4	16	187	14	33.65	33.27	28.58	145	33.02	28.6	143	1 - 11/2 NPT	20	131	130
32	1 1/4	32	117	89	4	16	190	16	42.42	42.04	31.75	164	41.91	31.8	160	1 1/4 - 11/2 NPT	22	150	146
40	1 1/2	40	127	98.5	4	16	212	16	48.56	48.11	34.93	184	48.01	34.9	179	1 1/2 - 11/2 NPT	25	163	160
50	2	51	152	120.5	4	19	234	16	60.63	60.17	38.10	209	59.94	38.1	204	2 - 11/2 NPT	28	197	194

MODEL CLASSIFICATION TABLE

TYPE	MATERIAL
21ALPHA	PVC C-PVC
21	PP PVDF

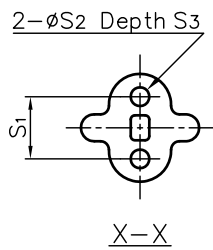
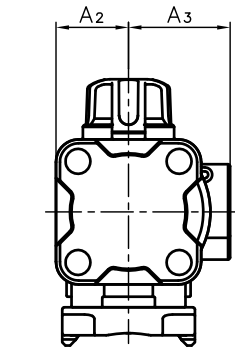
Unit: mm

Nominal Size	D1	H	H1	A	A2	A3	S1	S2	S3	P	ACTUATOR TYPE
15mm	48	109.5	29	94	22.5	32	19	7.3	11	1/8	ARO32DA10NN
20	60	116	35	94	22.5	32	19	7.3	11	1/8	ARO32DA11NN
25	70	123	39	94	22.5	32	19	7.3	11	1/8	ARO32DA11NN
32	82	143.5	47	116	28	38	30	9	15	1/8	ARO40DA20NN
40	100	174.5	55	147	35	49	30	9	15	1/4	AR050DA30NN
50	126	186	66	147	35	49	30	9	15	1/4	AR050DA30NN

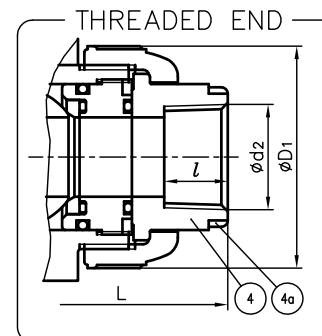
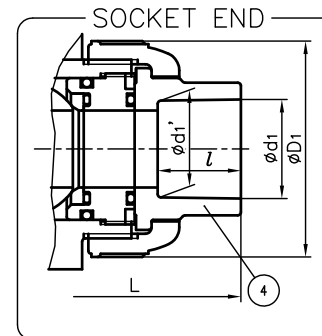
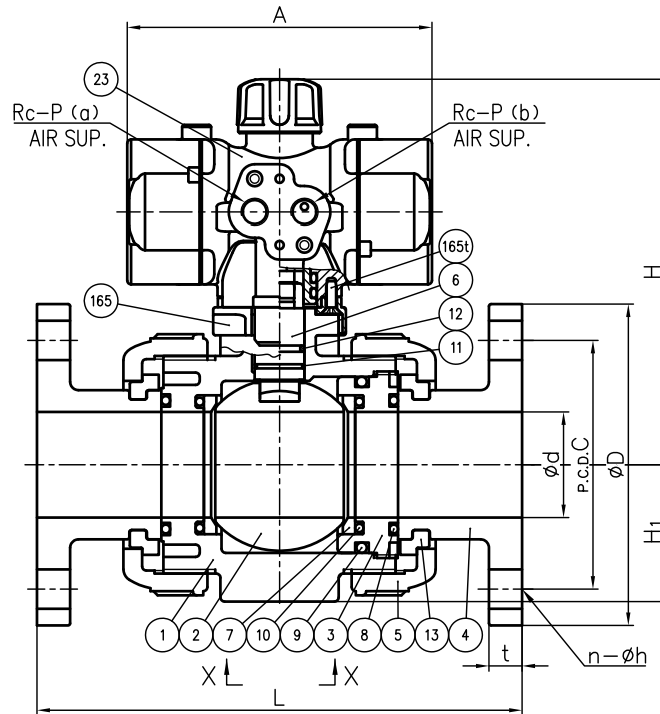
NOTE.

- Operation of permission pressure: 0.4~0.7MPaG
Valve open : (a) Exhaust, (b) Supply
Valve shut : (a) Supply, (b) Exhaust
- The shape and appearance of assembly differ a little with nominal size compared to this drawing.

FLANGE END



(Detail of Holes for Metallic Insert)



No.	DESCRIPTION	QTY.	MATERIAL	REMARKS
4a	RING	2	STAINLESS STEEL (SUS304)	Used for C-PVC Body, Threaded End: 15~25mm
165t	TAPPING SCREW (No.165)	2	STAINLESS STEEL (SUS304)	
165	BASE PLATE	1	PPG	
23	ACTUATOR	1	PPG etc.	
13	STOP RING	2	PVDF	Used for Flanged End
12	O-RING (E)	1		
11	O-RING (D)	1	□EPDM	
10	O-RING (C)	2	□FKM	
9	O-RING (B)	1	□Others	
8	O-RING (A)	2	()	
7	SEAT	2	PTFE	
6	STEM	1		
5	UNION NUT	2		
4	END CONNECTOR	2	□PVC □C-PVC	
3	CARRIER	1	□PP	
2	BALL	1	□PVDF	
1	BODY	1		

ITEM	BALL VALVE (TYPE21-21ALPHA) PNEUMATIC ACTUATED MODEL TYPE ASS'Y DOUBLE ACTING ANSI: □ FLANGED END, □ SOCKET END, □ THREADED END 15mm (1/2") ~ 50mm (2")			
DRAWN	E.Ozaki	DATE	SCALE	
CHECKED	H.Kawano	JUL.05.2018	DRAWING No.	
APPROVED	K.Kousyou	IB-AA261AE	DRAWING No.	
SPECIAL ORDER No.	ASAHI YUKIZAI CORPORATION			