

DIMENSIONS TABLE

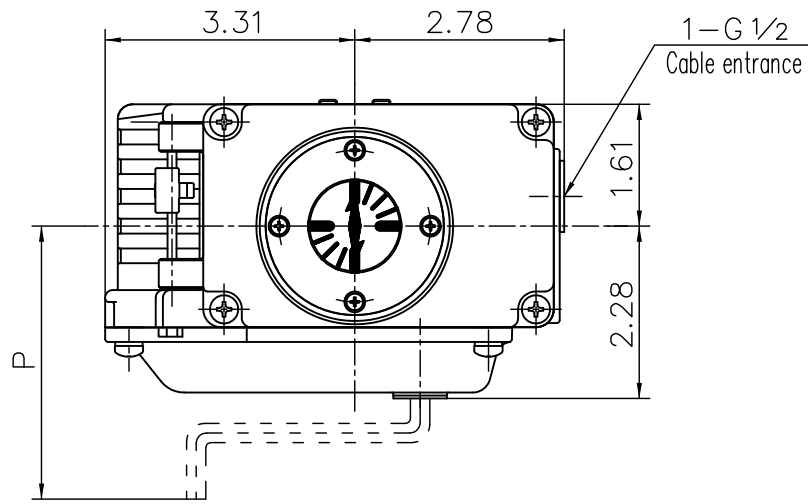
Nominal Size	SOCKET END (IPS)						THREADED END					
	PVC, C-PVC				PP		d <sub>2</sub>	l	L			
	ASTM SCH80				d <sub>1</sub>	l			L	PVC	PP	
d <sub>1</sub>	d <sub>1</sub> '	l	L	C-PVC			PVDF					
1/2"	15mm	0.848	0.836	0.875	4.45	0.83	0.87	4.41	1/2-14 NPT	0.59	4.02	3.94
3/4	20	1.058	1.046	1.000	5.08	1.03	1.00	5.00	3/4-14 NPT	0.67	4.72	4.69
1	25	1.325	1.310	1.125	5.71	1.30	1.13	5.63	1-11 1/2 NPT	0.79	5.16	5.12
1 1/4	32	1.670	1.655	1.250	6.46	1.65	1.25	6.30	1 1/4-11 1/2 NPT	0.87	5.91	5.75
1 1/2	40	1.912	1.894	1.375	7.24	1.89	1.37	7.05	1 1/2-11 1/2 NPT	0.98	6.42	6.30
2	50	2.387	2.369	1.500	8.23	2.36	1.50	8.03	2-11 1/2 NPT	1.10	7.76	7.64

UNIT: inch

Nominal Size	FLANGED END															
	d	ANSI Class 150					L	t	D <sub>1</sub>	H	H <sub>1</sub>	S <sub>1</sub>	S <sub>2</sub>	S <sub>3</sub>	P	
		D	C	n	h											
1/2"	15mm	0.59	3.50	2.38	4	0.62	5.63	0.47	1.89	6.67	1.14	0.75	0.29	0.43	3.82	
3/4	20	0.79	3.88	2.75	4	0.62	6.77	0.55	2.36	6.93	1.38	0.75	0.29	0.43	3.82	
1	25	0.98	4.25	3.12	4	0.62	7.36	0.55	2.76	7.20	1.54	0.75	0.29	0.43	3.82	
1 1/4	32	1.26	4.62	3.50	4	0.62	7.48	0.63	3.23	7.56	1.85	1.18	0.35	0.59	3.82	
1 1/2	40	1.57	5.00	3.88	4	0.62	8.35	0.63	3.94	7.89	2.17	1.18	0.35	0.59	3.82	
2	50	2.01	6.00	4.75	4	0.75	9.21	0.63	4.96	8.35	2.60	1.18	0.35	0.59	3.82	

NOTE. 1. The shape and appearance of assembly differ a little with nominal size and material compared to this drawing.  
2. P shows manual operating position.

No.	DESCRIPTION	QTY.	MATERIAL	REMARKS
4a	RIG	2	STAINLESS STEEL(SUS304)	Used for C-PVC Body. Threaded End : 1/2"-1"
28	SCREW (B)	2	STAINLESS STEEL(SUS304)	
27	BOLT·NUT (B)	4sets	STAINLESS STEEL(SUS304)	
26	BOLT (A)	4	STAINLESS STEEL(SUS304)	
25	JOINT	1	COPPER ALLOY (C3604)	
24	STAND	1	PPG	
23	ACTUATOR	1	ALUMINUM ALLOYS DIE CASTINGS (ADC12) etc.	T-00
13	STOP RING	2	PVDF	Used for Flanged End
12	O-RING (E)	1	□EPDM □FKM □Others	
11	O-RING (D)	1		
10	O-RING (C)	2		
9	O-RING (B)	1		
8	O-RING (A)	2		
7	SEAT	2	PTFE	
6	STEM	1		
5	UNION NUT	2	□PVC □C-PVC □PP □PVDF	
4	END CONNECTOR	2		
3	CARRIER	1		
2	BALL	1		
1	BODY	1		
No. DESCRIPTION QTY. MATERIAL REMARKS ITEM BALL VALVE (TYPE21·21ALPHA) ELECTRIC MODEL T TYPE ASS'Y ANSI : □ FLANGED END, □ SOCKET END, □ THREADED END 1/2" (15mm) ~ 2" (50mm) □ Standard, □ With Space Heater				
DRAWN	K.Sakiyama	DATE	SCALE	
CHECKED	H.Kawano	DEC.01.2014		
APPROVED	T.Iwamoto	DRAWING No.		
SPECIAL ORDER No.	IB-AE006AE			3
<b>ASAHI YUKIZAI CORPORATION</b>				



MODEL CLASSIFICATION TABLE

TYPE	MATERIAL
21ALPHA	PVC C-PVC
21	PP PVDF

FLANGED END

