

MODEL CLASSIFICATION TABLE

TYPE	MATERIAL
21 ALPHA	PVC C-PVC
21	PP PVDF

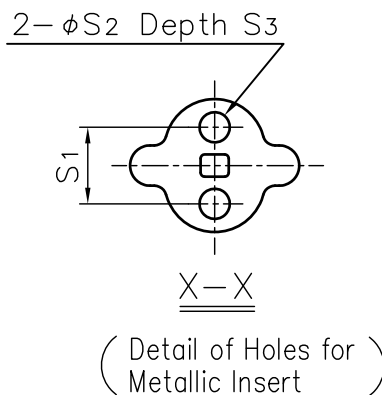
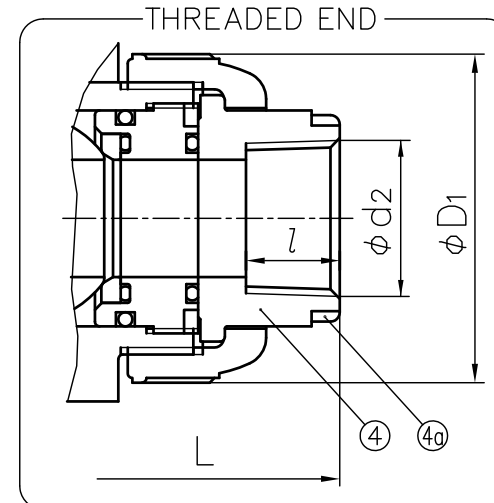
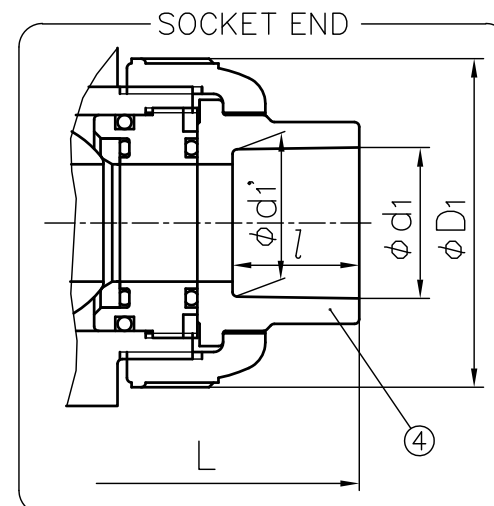
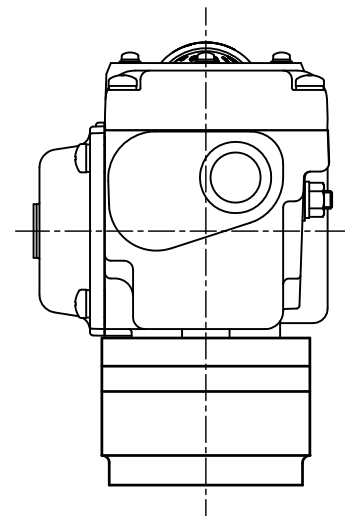
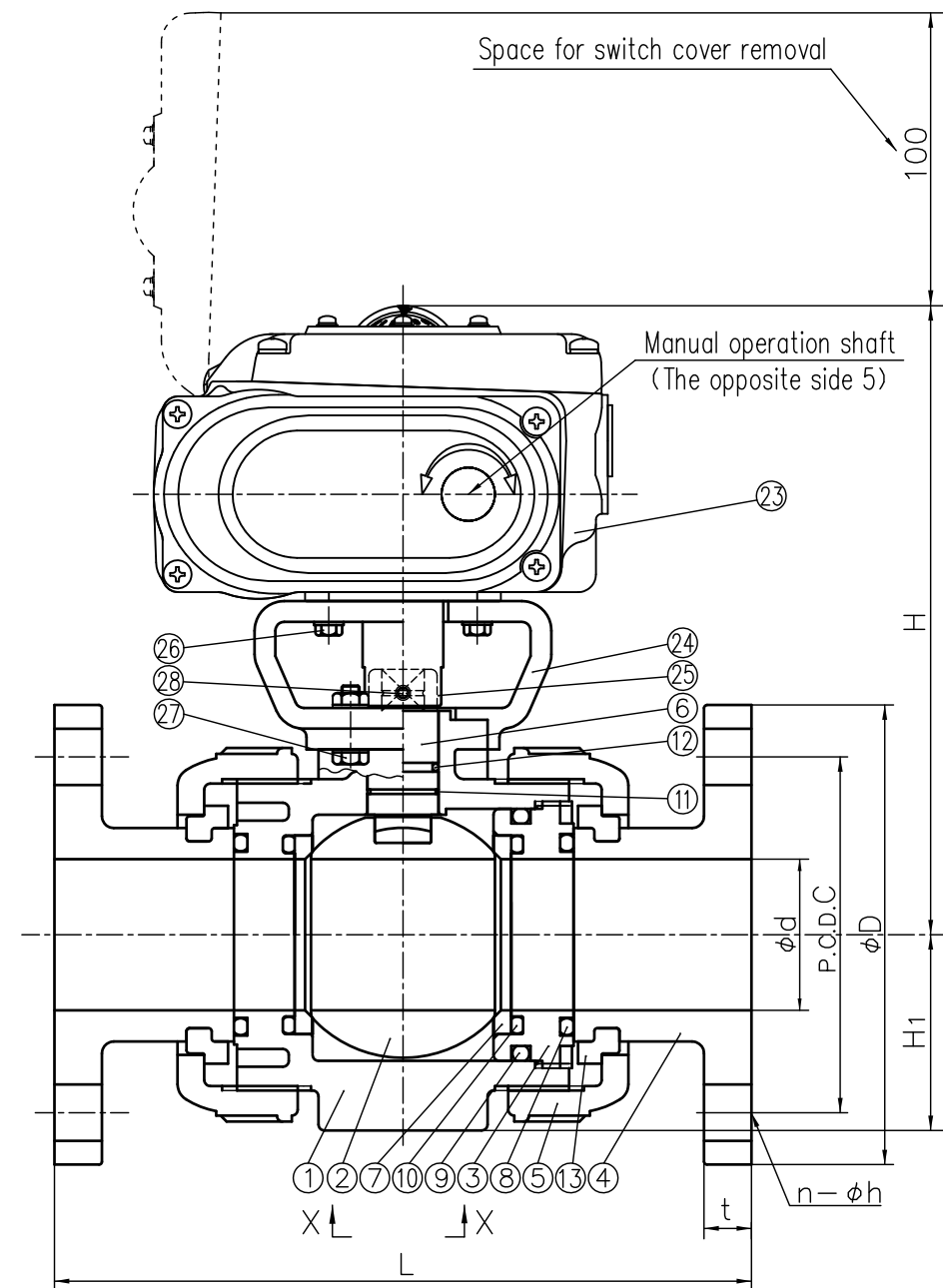
DIMENSIONS TABLE

Nominal Size	SOCKET END (IPS)						THREADED END					
	PVC, C-PVC			PP, PVDF			d2	l	L		PVC C-PVC	PP PVDF
	ASTM SCH80	d1	d1'	l	L	d1			l	L		
15mm 1/2"	21.54	21.23	22.2	113	20.96	22.2	112	1/2 - 14 NPT	15	102	100	
20 3/4"	26.87	26.57	25.4	129	26.16	25.4	127	3/4 - 14 NPT	17	120	119	
25 1"	33.65	33.27	28.6	145	33.02	28.6	143	1 - 11 1/2 NPT	20	131	130	
32 1 1/4"	42.42	42.04	31.8	164	41.91	31.8	160	1 1/4 - 11 1/2 NPT	22	150	146	
40 1 1/2"	48.56	48.11	34.9	184	48.01	34.9	179	1 1/2 - 11 1/2 NPT	25	163	160	
50 2"	60.63	60.17	38.1	209	59.94	38.1	204	2 - 11 1/2 NPT	28	197	194	

UNIT: mm

Nominal Size	d	FLANGED END								D1	H	H1	S1	S2	S3	P
		ANSI Class 150						L	t							
		D	C	n	h	L	t									
15mm 1/2"	15	89	60.5	4	16	143	12	48	169.5	29	19	7.3	11	97		
20 3/4"	20	98	70	4	16	172	14	60	176	35	19	7.3	11	97		
25 1"	25	108	79.5	4	16	187	14	70	183	39	19	7.3	11	97		
32 1 1/4"	32	117	89	4	16	190	16	82	192	47	30	9	15	97		
40 1 1/2"	40	127	98.5	4	16	212	16	100	200.5	55	30	9	15	97		
50 2"	51	152	120.5	4	19	234	16	126	212	66	30	9	15	97		

FLANGED END



NOTE. 1. The shape and appearance of assembly differ a little with nominal size and material compared to this drawing.  
2. P shows manual operating position.

4a	RIG	2	STAINLESS STEEL(SUS304)	Used for C-PVC Body. Threaded End : 1/2"-1"
28	SCREW (B)	2	STAINLESS STEEL(SUS304)	
27	BOLT · NUT (B)	4sets	STAINLESS STEEL(SUS304)	
26	BOLT (A)	4	STAINLESS STEEL(SUS304)	
25	JOINT	1	COPPER ALLOY (C3604)	
24	STAND	1	PPG	
23	ACTUATOR	1	ALUMINUM ALLOYS DIE CASTINGS (ADC12) etc.	T-00
13	STOP RING	2	PVDF	Used for Flanged End
12	O-RING (E)	1	□EPDM □FKM □Others	
11	O-RING (D)	1		
10	O-RING (C)	2		
9	O-RING (B)	1		
8	O-RING (A)	2		
7	SEAT	2	PTFE	
6	STEM	1	□PVC □C-PVC □PP □PVDF	
5	UNION NUT	2		
4	END CONNECTOR	2		
3	CARRIER	1		
2	BALL	1		
1	BODY	1		
No.	DESCRIPTION	QTY.	MATERIAL	REMARKS
ITEM	BALL VALVE (TYPE21 · 21ALPHA) ELECTRIC MODEL T TYPE ASS'Y ANSI : □ FLANGED END, □ SOCKET END, □ THREADED END 15mm (1/2") ~ 50mm (2") □ Standard, □ With Space Heater			
DRAWN	K.Sakiyama	DATE	SCALE	
CHECKED	H.Kawano	DEC.01.2014		~
APPROVED	T.Iwamoto	DRAWING No.		
SPECIAL ORDER No.	IB-AE006AE		③	
<b>ASAHI YUKIZAI CORPORATION</b>				