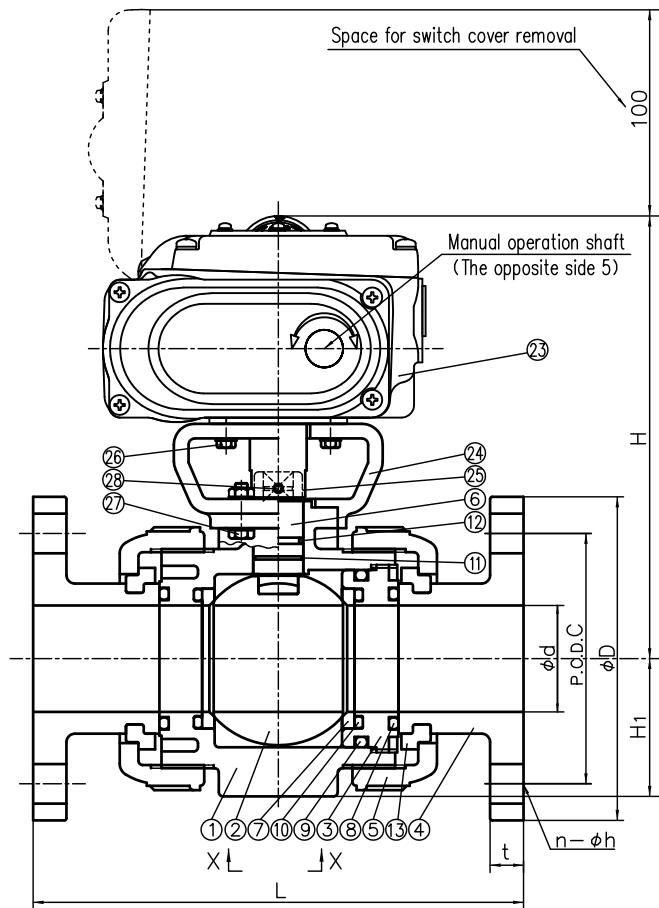


MODEL CLASSIFICATION TABLE

TYPE	MATERIAL
21ALPHA	PVC C-PVC
21	PP PVDF

FLANGED END



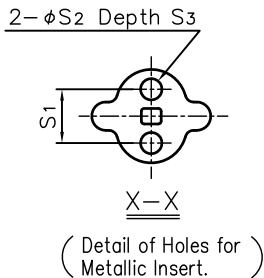
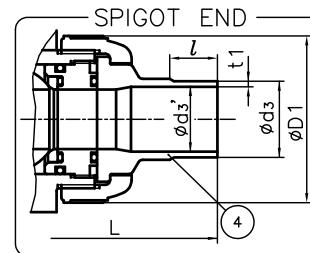
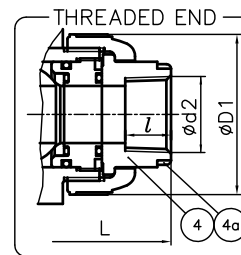
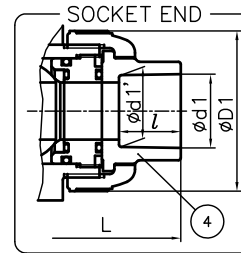
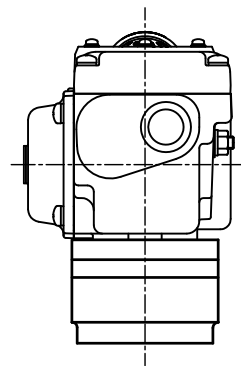
DIMENSIONS TABLE

Nominal Size	SOCKET END							THREADED END				SPIGOT END							
	PVC, C-PVC			PP,PVDF				d2	l	L		PVC		PP,PVDF		L			
	d1	l	L	d1	d1'	l	L			PVC C-PVC	PP PVDF	d3	d3*	l	d3		l	t1	
15mm 1/2"	20	16	102	19.5	19.3	14.5	99	Rc 1/2	15	102	100	20	15	18.5	20	18.5	2.5	1.9	124
20 3/4	25	19	119	24.5	24.3	16	113	Rc 3/4	17	120	119	25	20	24	25	22	2.7	1.9	144
25 1	32	22	131	31.5	31.3	18	123	Rc 1	20	131	130	32	25	24.5	32	22.5	3.0	2.4	154
32 1 1/4	40	26	150	39.45	39.2	20.5	139	Rc 1 1/4	22	150	146	40	31	28	40	26	3.7	2.4	174
40 1 1/2	50	31	164	49.45	49.2	23.5	149	Rc 1 1/2	25	163	160	50	40	34	50	32	4.6	3.0	194
50 2	63	38	197	62.5	62.1	27.5	176	Rc 2	28	197	194	63	51	38	63	36	5.8	3.0	224

UNIT: mm

Nominal Size	FLANGED END													
	DIN PN10						D1	H	H1	S1	S2	S3	P	
	d	D	C	n	h	L								t
15mm 1/2"	15	95	65	4	14	130	12	48	169.5	29	19	7.3	11	97
20 3/4	20	105	75	4	14	150	14	60	176	35	19	7.3	11	97
25 1	25	115	85	4	14	160	14	70	183	39	19	7.3	11	97
32 1 1/4	32	140	100	4	18	180	16	82	192	47	30	9	15	97
40 1 1/2	40	150	110	4	18	200	16	100	200.5	55	30	9	15	97
50 2	51	165	125	4	18	230	16	126	212	66	30	9	15	97

NOTE. 1. The shape and appearance of assembly differ a little with nominal size and material compared to this drawing.
2. P shows manual operating position.



4a	RIG	2	STAINLESS STEEL(SUS304)	Used for C-PVC Body, Threaded End : 1/2"-1"	
28	SCREW (B)	2	STAINLESS STEEL(SUS304)		
27	BOLT·NUT (B)	4sets	STAINLESS STEEL(SUS304)		
26	BOLT (A)	4	STAINLESS STEEL(SUS304)		
25	JOINT	1	COPPER ALLOY (C3604)		
24	STAND	1	PPG		
23	ACTUATOR	1	ALUMINUM ALLOYS DIE CASTING (ADC12) etc.	T-00	
13	STOP RING	2	PVDF	Used for Flanged End	
12	O-RING (E)	1	()		
11	O-RING (D)	1		□EPDM	
10	O-RING (C)	2		□FKM	
9	O-RING (B)	1		□Others	
8	O-RING (A)	2			
7	SEAT	2	PTFE		
6	STEM	1	□PVC □C-PVC □PP □PVDF		
5	UNION NUT	2			
4	END CONNECTOR	2			
3	CARRIER	1			
2	BALL	1			
1	BODY	1			
No.	DESCRIPTION	QTY.	MATERIAL	REMARKS	
ITEM	BALL VALVE (TYPE21-21ALPHA) ELECTRIC MODEL T TYPE ASS'Y DIN: FLANGED END, □SOCKET END, □THREADED END, □SPIGOT END 15mm (1/2") ~50mm (2") □ Standard, □ With Space Heater				
DRAWN	E.Ozaki	DATE	SCALE		
CHECKED	H.Kawano	FEB.22.2017			
APPROVED	H.Kourogi	DRAWING No.			
SPECIAL ORDER No.	IB-AE006DE		△		
ASAHI YUKIZAI CORPORATION					