

MODEL CLASSIFICATION TABLE

TYPE	MATERIAL
21ALPHA	PVC C-PVC
21	PP PVDF

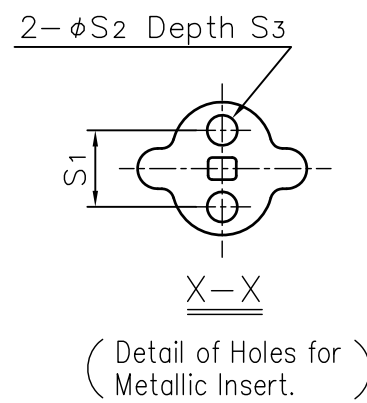
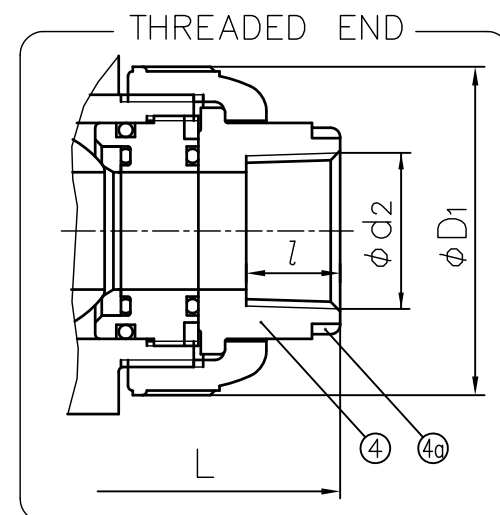
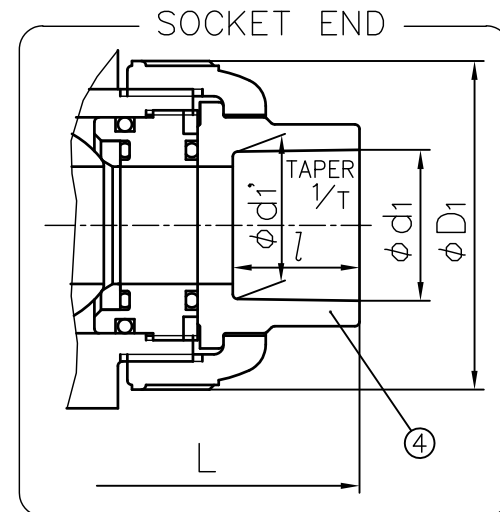
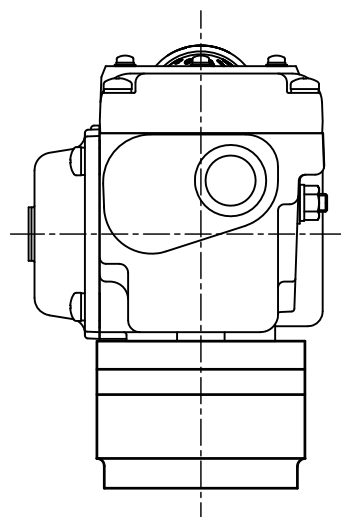
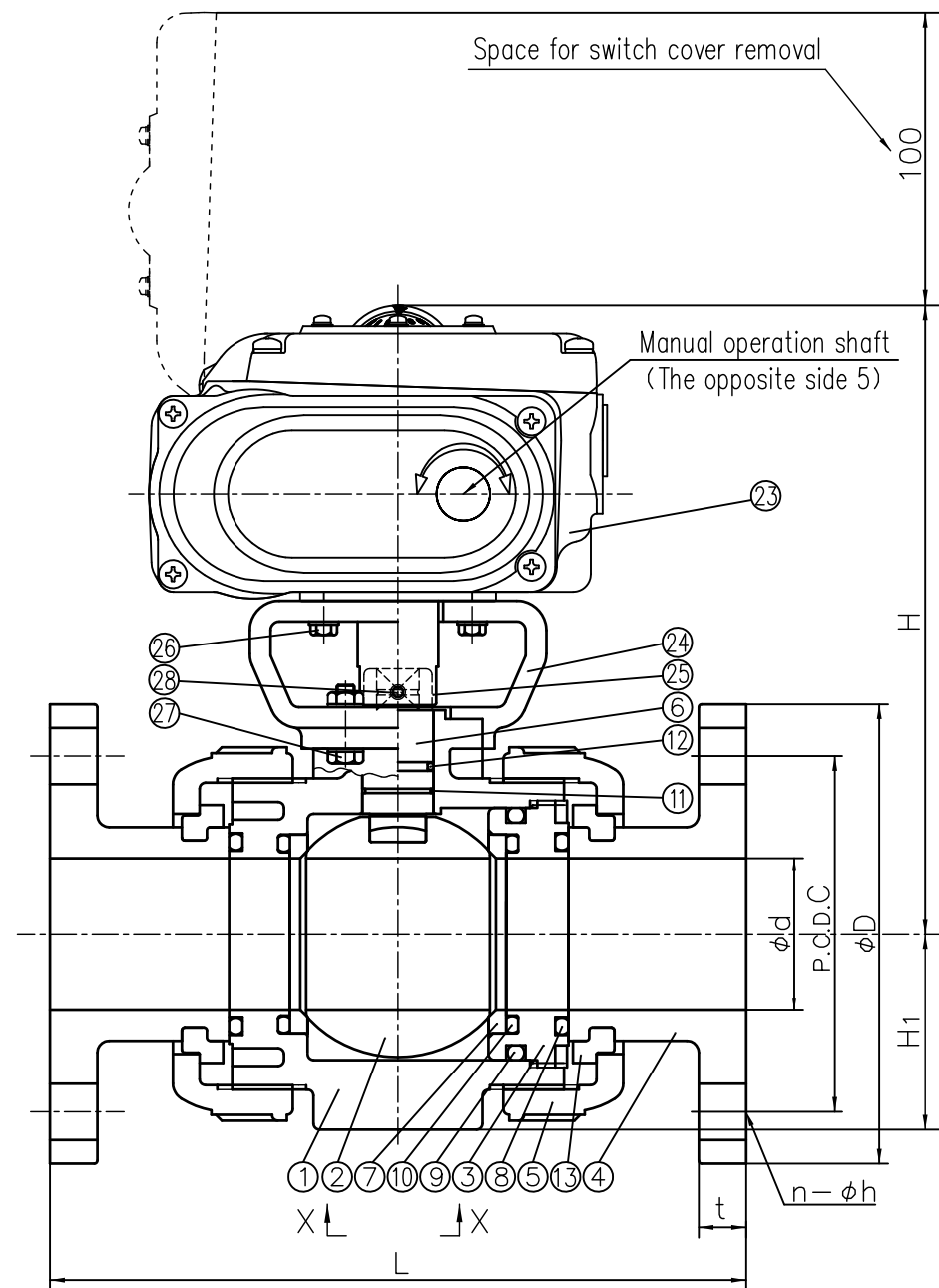
DIMENSIONS TABLE

Nominal Size	SOCKET END								THREADED END			
	PVC, C-PVC				PP				d <sub>2</sub>	l	L	
	d <sub>1</sub>	l	1/T	L	d <sub>1</sub>	d <sub>1</sub> '	l	L			PVC C-PVC	PP PVDF
15 <sup>mm</sup> 1/2"	22.11	20	1/34	109	21.2	20.2	20	108	Rc 1/2	15	102	100
20 3/4	26.13	24	1/34	128	26.2	25.2	23	126	Rc 3/4	17	120	119
25 1	32.16	27	1/34	145	33.0	32.0	25	141	Rc 1	20	131	130
32 1 1/4	38.19	30	1/34	162	—	—	—	—	Rc 1 1/4	22	150	146
40 1 1/2	48.21	37	1/37	189	47.0	46.0	28	171	Rc 1 1/2	25	163	160
50 2	60.25	42	1/37	220	59.0	58.0	28	192	Rc 2	28	197	194

UNIT: mm

Nominal Size	d	FLANGED END								L	t	D <sub>1</sub>	H	H <sub>1</sub>	S <sub>1</sub>	S <sub>2</sub>	S <sub>3</sub>	P
		JIS 5K				JIS 10K												
		D	C	n	h	D	C	n	h									
15 <sup>mm</sup> 1/2"	15	80	60	4	12	95	70	4	15	143	12	48	169.5	29	19	7.3	11	97
20 3/4	20	85	65	4	12	100	75	4	15	172	14	60	176	35	19	7.3	11	97
25 1	25	95	75	4	12	125	90	4	19	187	14	70	183	39	19	7.3	11	97
32 1 1/4	32	115	90	4	15	135	100	4	19	190	16	82	192	47	30	9	15	97
40 1 1/2	40	120	95	4	15	140	105	4	19	212	16	100	200.5	55	30	9	15	97
50 2	51	130	105	4	15	155	120	4	19	234	16	126	212	66	30	9	15	97

FLANGED END



NOTE. 1. The shape and appearance of assembly differ a little with nominal size and material compared to this drawing.  
2. P shows manual operating position.

4a	RIG	2	STAINLESS STEEL(SUS304)	Used for C-PVC Body. Threaded End : 1/2"-1"
28	SCREW (B)	2	STAINLESS STEEL(SUS304)	
27	BOLT · NUT (B)	4sets	STAINLESS STEEL(SUS304)	
26	BOLT (A)	4	STAINLESS STEEL(SUS304)	
25	JOINT	1	COPPER ALLOY (C3604)	
24	STAND	1	PPG	
23	ACTUATOR	1	ALUMINUM ALLOYS OF CASTINGS (ADC12) etc.	T-00
13	STOP RING	2	PVDF	Used for Flanged End
12	O-RING (E)	1	□EPDM □FKM □Others ( )	
11	O-RING (D)	1		
10	O-RING (C)	2		
9	O-RING (B)	1		
8	O-RING (A)	2		
7	SEAT	2	PTFE	
6	STEM	1	□PVC □C-PVC □PP □PVDF	
5	UNION NUT	2		
4	END CONNECTOR	2		
3	CARRIER	1		
2	BALL	1		
1	BODY	1		
No.	DESCRIPTION	QTY.	MATERIAL	REMARKS
ITEM	BALL VALVE (TYPE21 · 21ALPHA) ELECTRIC MODEL T TYPE ASS'Y JIS : □ FLANGED END (□JIS 5K, □JIS 10K) , □ SOCKET END, □ THREADED END 15mm (1/2") ~ 50mm (2") □ Standard, □ With Space Heater			
DRAWN	K.Sakiyama	DATE	SCALE	
CHECKED	H.Kawano	DEC.01.2014		~
APPROVED	T.Iwamoto	DRAWING No.		
SPECIAL ORDER No.	IB-AE006JE		△	
<b>ASAHI YUKIZAI CORPORATION</b>				