

# DIMENSIONS TABLE

Nominal Size		FLANGED END										SOCKET END								THREADED END					
		JIS 5K					JIS 10K					PVC, C-PVC				PP				L		PVC C-PVC		PP PVDF	
		D	C	n	h	L	t	D	C	n	h	L	t	d1	l	1/T	L	d1	d1'						
15mm	1/2"	80	60	4	12	95	70	4	15	143	12	22.11	20	1/34	109	21.2	20.2	20	108	Rc 1/2	15	102	100		
20	3/4	85	65	4	12	100	75	4	15	172	14	26.13	24	1/34	128	26.2	25.2	23	126	Rc 3/4	17	120	119		
25	1	95	75	4	12	125	90	4	19	187	14	32.16	27	1/34	145	33.0	32.0	25	141	Rc 1	20	131	130		
32	1 1/4	115	90	4	15	135	100	4	19	190	16	38.19	30	1/34	162	-	-	-	-	Rc 1 1/4	22	150	146		
40	1 1/2	120	95	4	15	140	105	4	19	212	16	48.21	37	1/37	189	47.0	46.0	28	171	Rc 1 1/2	25	163	160		
50	2	130	105	4	15	155	120	4	19	234	16	60.25	42	1/37	220	59.0	58.0	28	192	Rc 2	28	197	194		

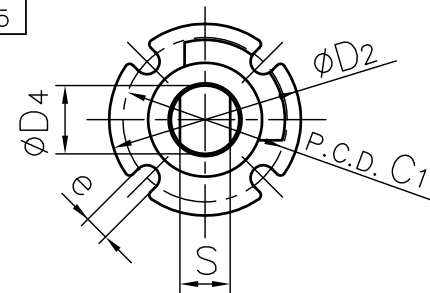
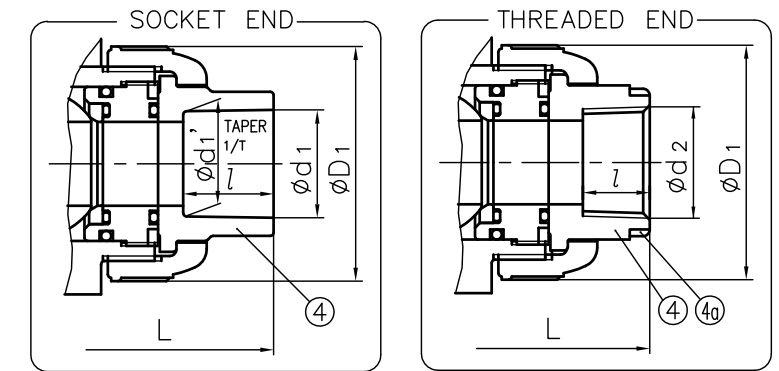
Unit : mm

Nominal Size		d	D1	D2	D3	D4	C1	H	H1	H2	H3	H4	H5	A	S	S1	S2	S3	e
15mm	1/2"	15	48	42	25	13.5	36	51.5	29	30	6	3	8	92	10.5	19	7.3	11	5.5
20	3/4	20	60	42	25	15	36	59.5	35	36.5	6	3	10	100	11	19	7.3	11	5.5
25	1	25	70	42	25	15	36	68	39	43.5	6	3	10	110	11	19	7.3	11	5.5
32	1 1/4	32	82	48	30	19	42	80.5	47	52.5	8	3	10	121	15	30	9	15	5.5
40	1 1/2	40	100	57	35	23	50	89	55	61	10	3	12	131	18	30	9	15	6.5
50	2	51	126	57	35	23	50	102.5	66	72.5	10	3	12	159	18	30	9	15	6.5

NOTE. The shape and appearance of assembly differ a little with nominal size and material compared to this drawing.

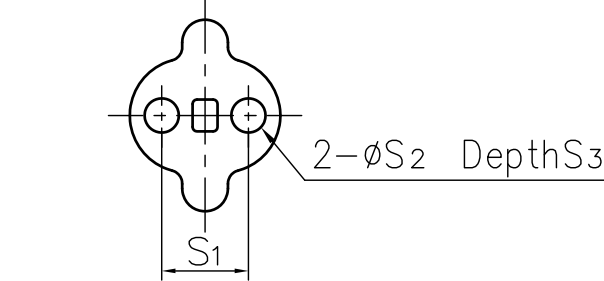
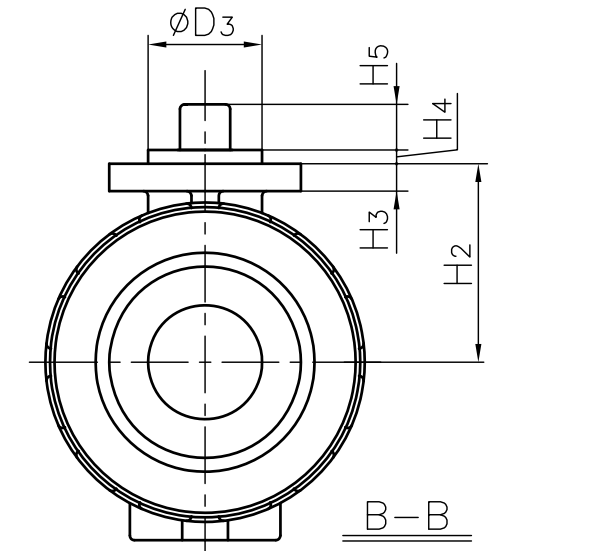
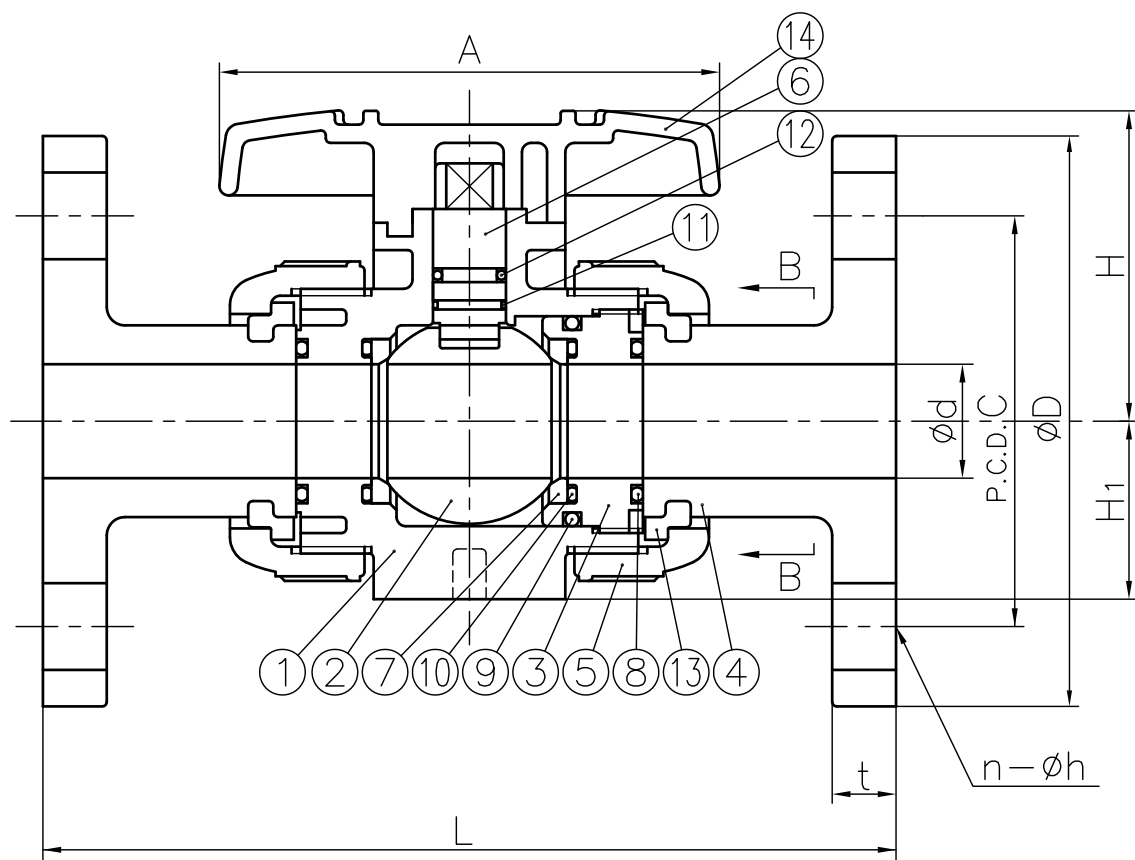
# MODEL CLASSIFICATION TABLE

TYPE	MATERIAL
21ALPHA	PVC C-PVC
21	PP PVDF



(Detail of Stem Part.)

## FLANGED END



(Detail of Holes for Metallic Insert.)

No.	DESCRIPTION	QTY.	MATERIAL	REMARKS
4a	RING	2	STAINLESS STEEL (SUS304)	Used for C-PVC Body, Threaded End: 15-25mm
14	HANDLE	1	ABS	
13	STOP RING	2	PVDF	Used for Flanged End
12	O-RING (E)	1	□EPDM □FKM □Others	
11	O-RING (D)	1		
10	O-RING (C)	2		
9	O-RING (B)	1		
8	O-RING (A)	2		
7	SEAT	2	PTFE	
6	STEM	1	□PVC □C-PVC □PP □PVDF	
5	UNION NUT	2		
4	END CONNECTOR	2		
3	CARRIER	1		
2	BALL	1		
1	BODY	1		

ITEM	BALL VALVE (TYPE21 · 21ALPHA) ASS'Y JIS : FLANGED END (□JIS 5K, □JIS 10K), □SOCKET END, □THREADED END 15mm (1/2") ~ 50mm (2")		
DRAWN	M.Yamamoto	DATE	SCALE
CHECKED	H.Kawano	SEP.30.2009	~
APPROVED	Y.Ozaki	DRAWING No.	
SPECIAL ORDER No.	IB-M1001JE		4

**ASAHI YUKIZAI CORPORATION**