

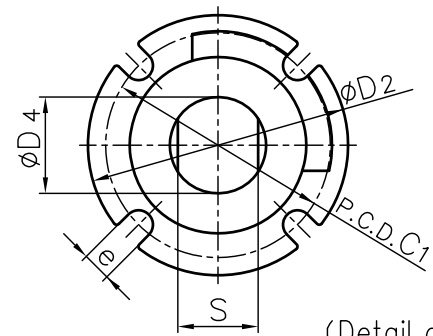
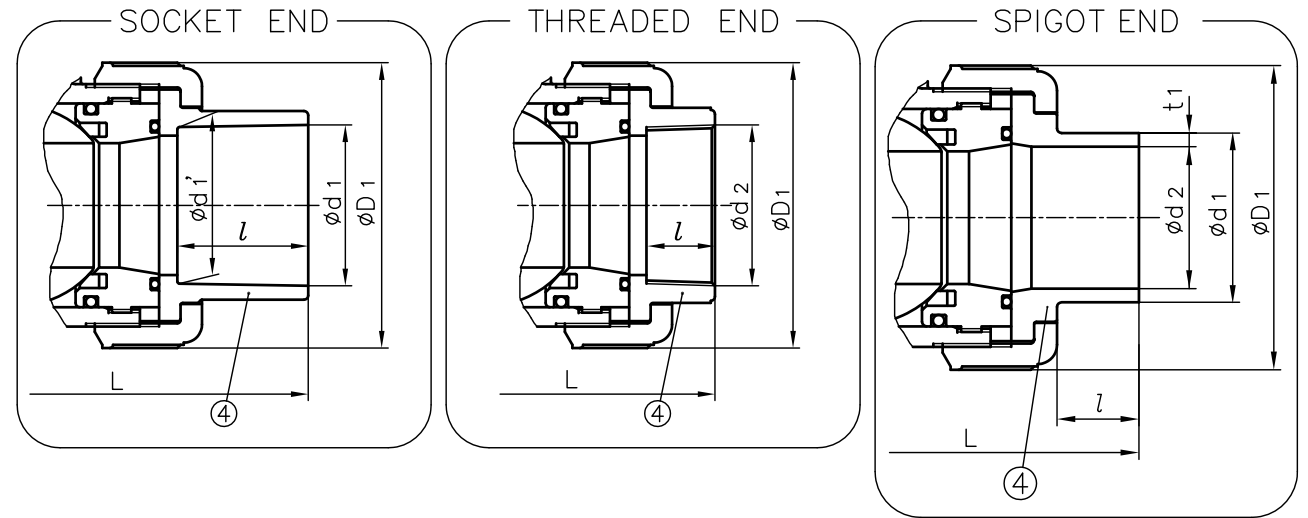
DIMENSIONS TABLE

NOMINAL SIZE	d	d'	FLANGED END									SOCKET END						THREADED END					SPIGOT END											
			DIN PN10			L			t	PVC, C-PVC			PP, PVDF			d <sub>2</sub>	l	L			PVC				PP, PVDF									
			D	C	n	h	PVC C-PVC	PP		PVDF	d <sub>1</sub>	l	L	d <sub>1</sub>	d <sub>1</sub> '			l	PP	PVDF	d <sub>1</sub>	d <sub>2</sub>	l	L	d <sub>1</sub>	l	t <sub>1</sub>	PP	PVDF	PP	PVDF			
65mm 2 1/2"	65	58	185	145	4	18	290	288	287	18	75	44	233	74.25	73.95	31	205	204	Rp 2 1/2	32	215	213	212	75	65	44	285	75	38	6.9	3.6	245	244	
80	3	78	68.5	200	160	8	18	312	311	308	21	90	51	284	89.2	88.85	35.5	252	249	Rp 3	35	265	264	261	90	80	51	299	90	38	8.2	4.3	296	293
100	4	100	90	220	180	8	18	352	352	347	18	110	61	351	109.05	108.65	41.5	312	307	Rp 4	45	340	340	335	110	93.6	46	358	110	44.5	10.0	5.3	355	350

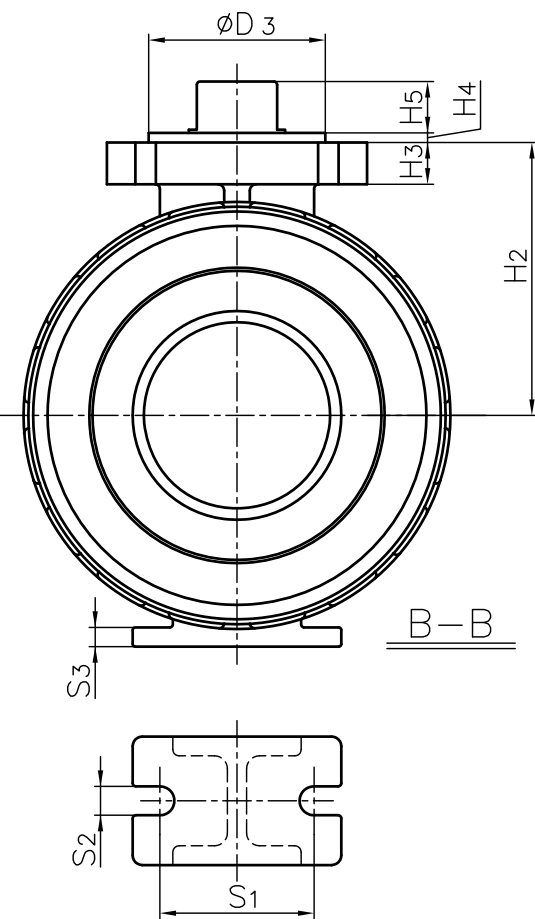
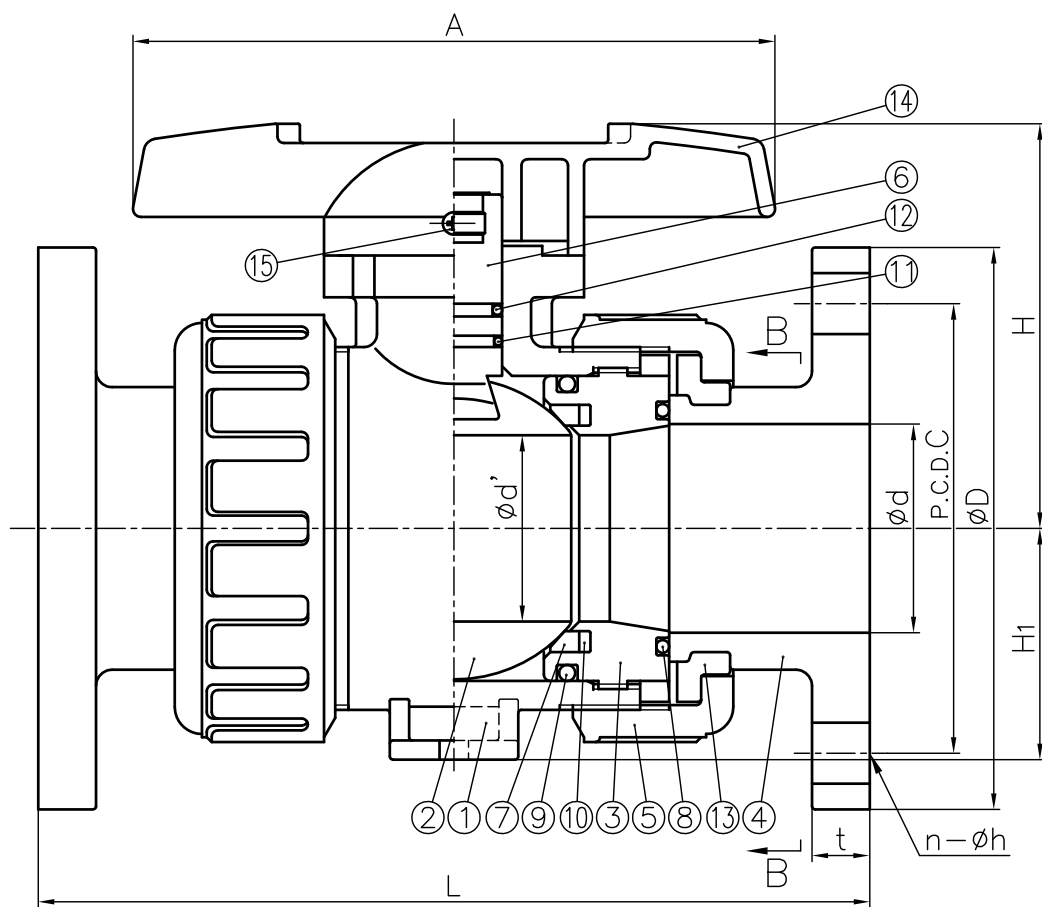
UNIT: mm

NOMINAL SIZE	D <sub>1</sub>	H	H <sub>1</sub>	A	D <sub>2</sub>	D <sub>3</sub>	C <sub>1</sub>	H <sub>2</sub>	H <sub>3</sub>	H <sub>4</sub>	H <sub>5</sub>	D <sub>4</sub>	S	e	S <sub>1</sub>	S <sub>2</sub>	S <sub>3</sub>
65mm 2 1/2"	133	126	72	200	81	55	70	85	13	3	16	30	24	9	48	9	6
80	152	140	85	240	81	55	70	94	13	3	19	30	24	9	55	11	7
100	210	178	110	300	116	70	102	126	16	3	23	40	34	11	65	11	8

NOTE. The shape and appearance of assembly differ a little with nominal size compared to this drawing.



FLANGED END



No.	DESCRIPTION	QTY.	MATERIAL	REMARKS
15	TAPPING SCREW (A)	1	STAINLESS STEEL (SUS304)	
14	HANDLE	1	ABS	
13	STOP RING	2	PVDF	used for flanged end
12	O-RING(E)	1	□EPDM □FKM □Others ( )	
11	O-RING(D)	1		
10	CUSHION	2		
9	O-RING(B)	2		
8	O-RING(A)	2		
7	SEAT	2	PTFE	
6	STEM	1	□PVC □C-PVC □PP □PVDF	
5	UNION NUT	2		
4	END CONNECTOR	2		
3	CARRIER	2		
2	BALL	1		
1	BODY	1		

ITEM	BALL VALVE (TYPE 21) ASS'Y DIN: □FLANGED END, □SOCKET END, □THREADED END, □SPIGOT END 65mm (2 1/2") ~ 100mm (4")		
DRAWN	K.Sakiyama	DATE	SCALE
CHECKED	H.Kawano	FAB.16.2015	~
APPROVED	K.Kamita	DRAWING No.	
SPECIAL ORDER No.	IB-M1002DE		
<b>ASAHI YUKIZAI CORPORATION</b>			