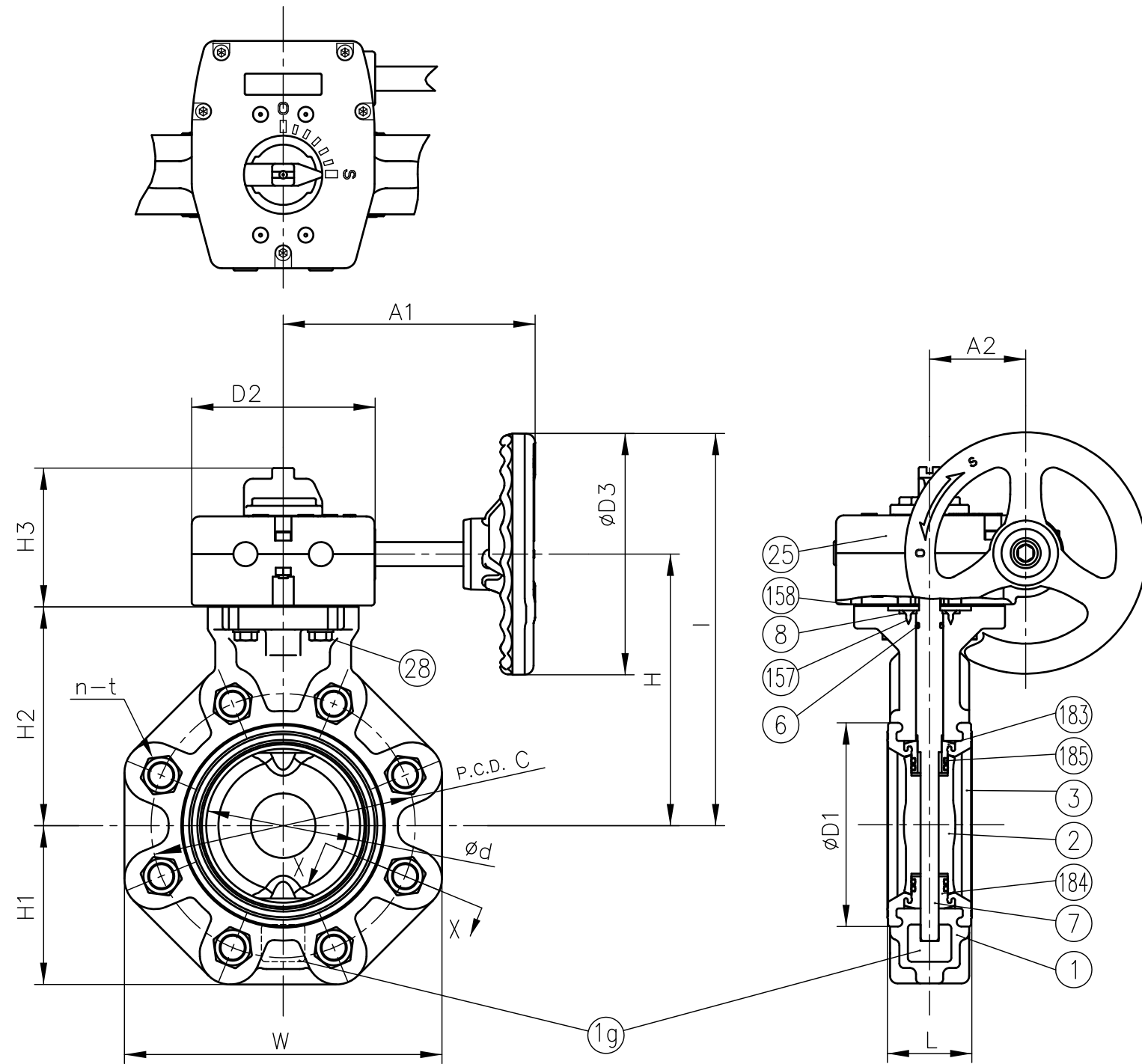
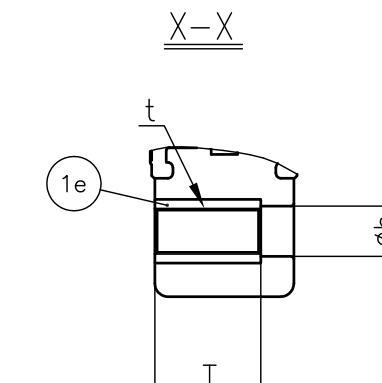
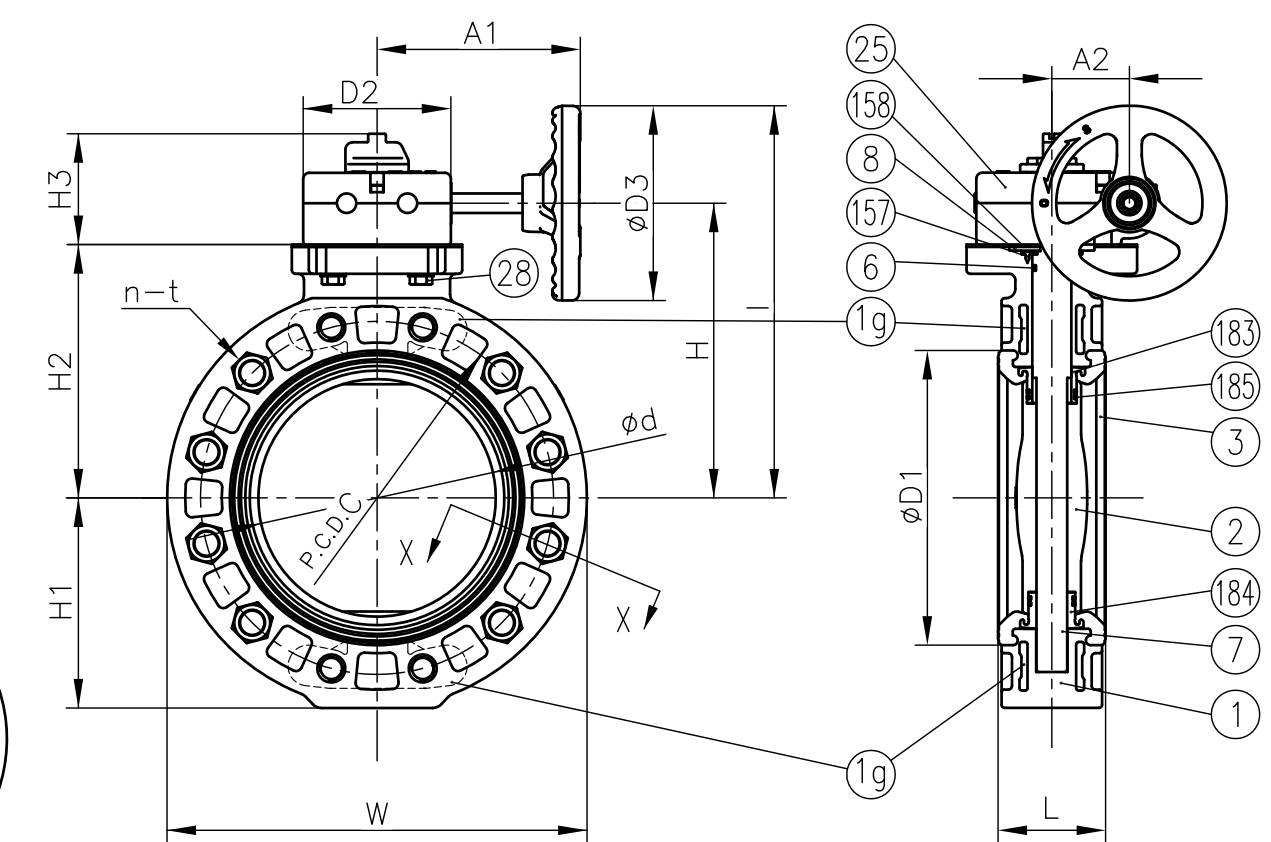


80~150mm



200, 250mm



|     |                 |   |                          |                       |
|-----|-----------------|---|--------------------------|-----------------------|
| 184 | SEAT BUSH (B)   | 1 | □PP                      |                       |
| 183 | SEAT BUSH (A)   | 1 | □PVDF                    |                       |
| 158 | GASKET (L)      | 1 | EPDM                     |                       |
| 157 | SCREW (F)       | 4 | STAINLESS STEEL (SUS403) |                       |
| 28  | BOLT (C)        | 4 | STAINLESS STEEL (SUS403) |                       |
| 25  | GEAR BOX        | 1 | PLASTIC etc.             |                       |
| 8   | STEM HOLDER (A) | 1 | PP                       |                       |
| 7   | STEM            | 1 | STAINLESS STEEL (SUS403) |                       |
| 185 | O-RING (I)      |   | □EPDM                    |                       |
| 6   | O-RING (C)      | 1 | □FKM                     |                       |
| 3   | SEAT            | 1 | □FKM-C                   |                       |
| 2   | DISC            | 1 | □PP<br>□PVDF             |                       |
| 1g  | BODY-INSERT     | 1 | STAINLESS STEEL (SUS304) | Used for 125,150mm    |
|     |                 | 2 | STAINLESS STEEL (SCS13)  | Used for 200,250mm    |
| 1e  | LUG-INSERT      | 8 | STAINLESS STEEL (SUS304) | Used for 80~150,250mm |
|     |                 | 4 | (Antiscoring Coat)       | Used for 200mm        |
| 1   | BODY            | 1 | PDCPD                    |                       |

DIMENSION TABLE

UNIT : mm

| NOMINAL SIZE |      | DIN PN10 |     |    |    | D <sub>1</sub> | D <sub>2</sub> | D <sub>3</sub> | L   | H   | H <sub>1</sub> | H <sub>2</sub> | H <sub>3</sub> | I   | A <sub>1</sub> | A <sub>2</sub> | W   | T  | t      | Number of Handle<br>Wheel Rotation | GEAR BOX<br>TYPE |       |
|--------------|------|----------|-----|----|----|----------------|----------------|----------------|-----|-----|----------------|----------------|----------------|-----|----------------|----------------|-----|----|--------|------------------------------------|------------------|-------|
| mm           | inch | d        | C   | n  | h  |                |                |                |     |     |                |                |                |     |                |                |     |    |        |                                    |                  |       |
| 80           | 3    | 77       | 160 | 8  | 18 | 105            | 122            | 160            | 46  | 165 | 94             | 130            | 92             | 245 | 167            | 64             | 193 | 40 | M16×40 | Width Across Fat 24                | 9.5              | TYPE1 |
| 100          | 4    | 102      | 180 | 8  | 18 | 134            | 122            | 160            | 56  | 180 | 105            | 145            | 92             | 260 | 167            | 64             | 217 | 40 | M16×40 | Width Across Fat 24                |                  |       |
| 125          | 5    | 129      | 210 | 8  | 18 | 169            | 122            | 160            | 66  | 195 | 124            | 160            | 92             | 275 | 167            | 64             | 247 | 50 | M16×50 | Width Across Fat 24                |                  |       |
| 150          | 6    | 150      | 240 | 8  | 23 | 190            | 122            | 160            | 71  | 210 | 138            | 175            | 92             | 290 | 167            | 64             | 285 | 50 | M20×50 | Width Across Fat 30                |                  |       |
| 200          | 8    | 195      | 295 | 8  | 23 | 242            | 122            | 160            | 87  | 241 | 173            | 206            | 92             | 321 | 167            | 64             | 345 | 60 | M20×60 | Width Across Fat 30                |                  |       |
| 250          | 10   | 250      | 350 | 12 | 23 | 302            | 122            | 160            | 112 | 276 | 208            | 241            | 92             | 356 | 167            | 64             | 415 | 70 | M20×70 | Width Across Fat 30                |                  |       |

NOTE. The shape and appearance of assembly differ a little with nominal size compared to this drawing.

| No.               | DESCRIPTION   | QTY.        | MATERIAL    | REMARKS |
|-------------------|---|-------------|-------------|---------|
| ITEM              | LUG-BUTTERFLY VALVE TYPE 57L ASS'Y<br>GEAR TYPE : DIN PN10<br>80mm (3") ~ 250mm (10") |             |             |         |
| DRAWN             | M.Oosako  | DATE        | SCALE       |         |
| CHECKED           | H.Kawano  | MAY.31.2011 | DRAWING No. |         |
| APPROVED          | Y.Ozaki   | LG-M1003DE  |             | 5       |
| SPECIAL ORDER No. |   |             |             |         |

ASAHI YUKIZAI CORPORATION