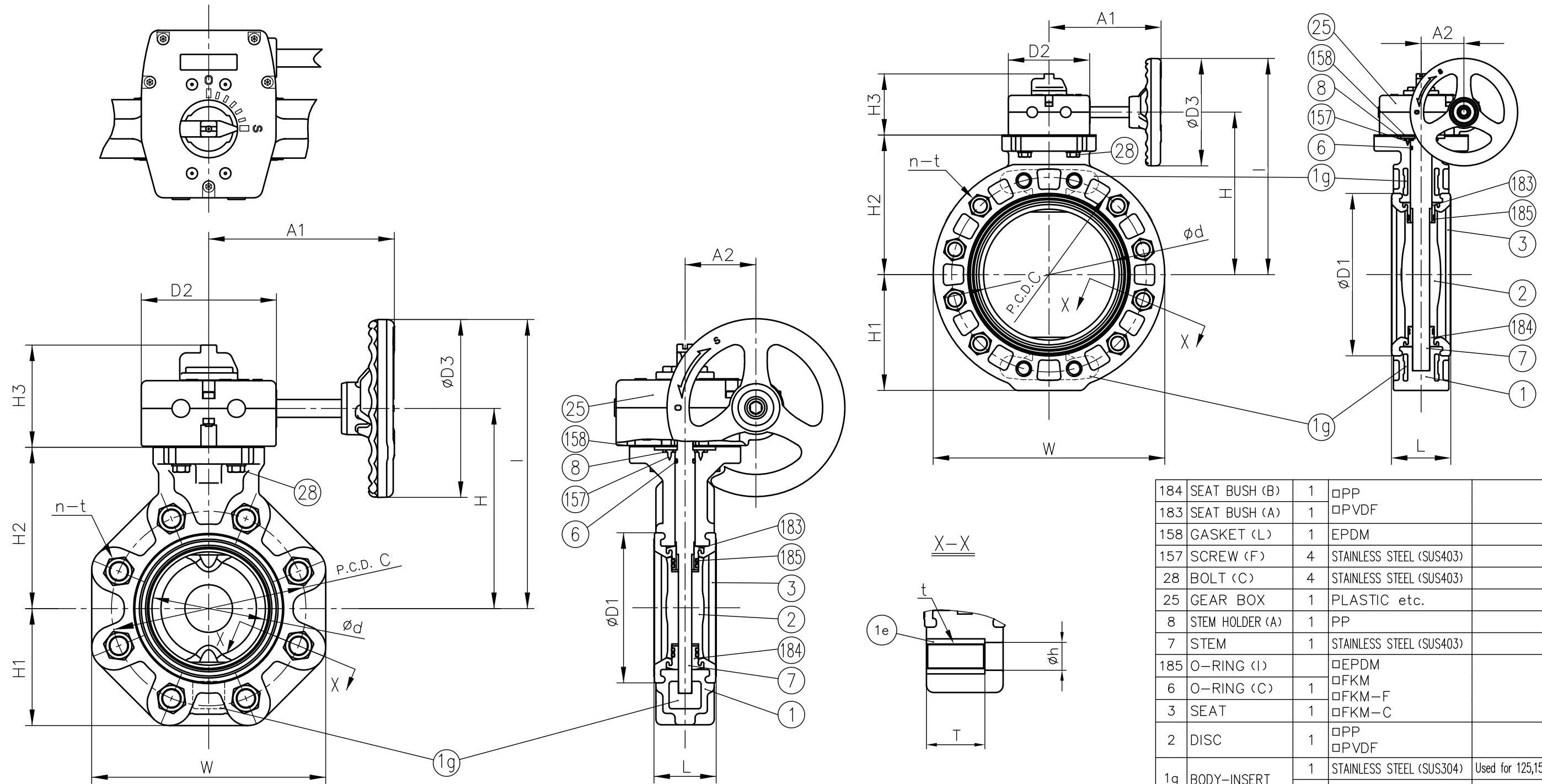


80~150mm

200, 250mm



184	SEAT BUSH (B)	1	□PP	
183	SEAT BUSH (A)	1	□PVDF	
158	GASKET (L)	1	EPDM	
157	SCREW (F)	4	STAINLESS STEEL (SUS403)	
28	BOLT (C)	4	STAINLESS STEEL (SUS403)	
25	GEAR BOX	1	PLASTIC etc.	
8	STEM HOLDER (A)	1	PP	
7	STEM	1	STAINLESS STEEL (SUS403)	
185	O-RING (I)		□EPDM	
6	O-RING (C)	1	□FKM	
3	SEAT	1	□FKM-C	
2	DISC	1	□PP	
			□PVDF	
1g	BODY-INSERT	1	STAINLESS STEEL (SUS304)	Used for 125,150 ^{mm}
		2	STAINLESS STEEL (SCS13)	Used for 200,250 ^{mm}
1e	LUG-INSERT	8	STAINLESS STEEL (SUS304) (Antiscoring Coat)	
1	BODY	1	PDCPD	
No.	DESCRIPTION	QTY.	MATERIAL	REMARKS

DIMENSION TABLE

UNIT : mm

NOMINAL SIZE		JIS 10K					D ₁	D ₂	D ₃	L	H	H ₁	H ₂	H ₃	I	A ₁	A ₂	W	T	t	Number of Handle Wheel Rotation	GEAR BOX TYPE
mm	inch	d	C	n	h																	
80	3	77	150	8	19	105	122	160	46	165	94	130	92	245	167	64	193	40	M16×40 Width Across Fat 24	9.5	TYPE1	
100	4	102	175	8	19	134	122	160	56	180	105	145	92	260	167	64	217	40	M16×40 Width Across Fat 24			
125	5	129	210	8	23	169	122	160	66	195	124	160	92	275	167	64	247	50	M20×50 Width Across Fat 30			
150	6	150	240	8	23	190	122	160	71	210	138	175	92	290	167	64	285	50	M20×50 Width Across Fat 30			
200	8	195	290	12	23	242	122	160	87	241	173	206	92	321	167	64	345	60	M20×60 Width Across Fat 30			
250	10	250	355	12	25	302	122	160	112	276	208	241	92	356	167	64	415	70	M22×70 Width Across Fat 32			

NOTE. The shape and appearance of assembly differ a little with nominal size compared to this drawing.

ITEM	LUG-BUTTERFLY VALVE TYPE 57L ASS'Y GEAR TYPE : JIS 10K 80 ^{mm} (3") ~ 250 ^{mm} (10")		
DRAWN	M.Oosako	DATE	SCALE
CHECKED	H.Kawano	MAY.31.2011	~
APPROVED	Y.Ozaki	DRAWING No.	
SPECIAL ORDER No.		LG-M1003JE	
ASAHI YUKIZAI CORPORATION			