

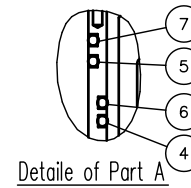
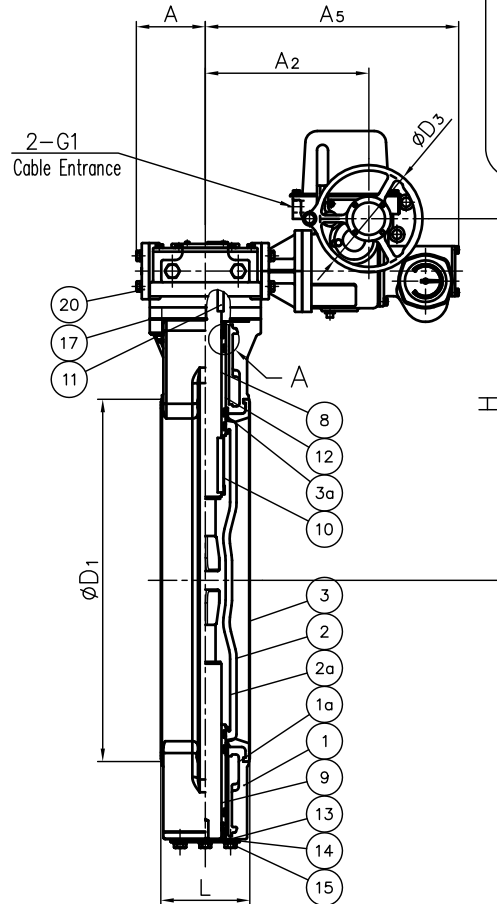
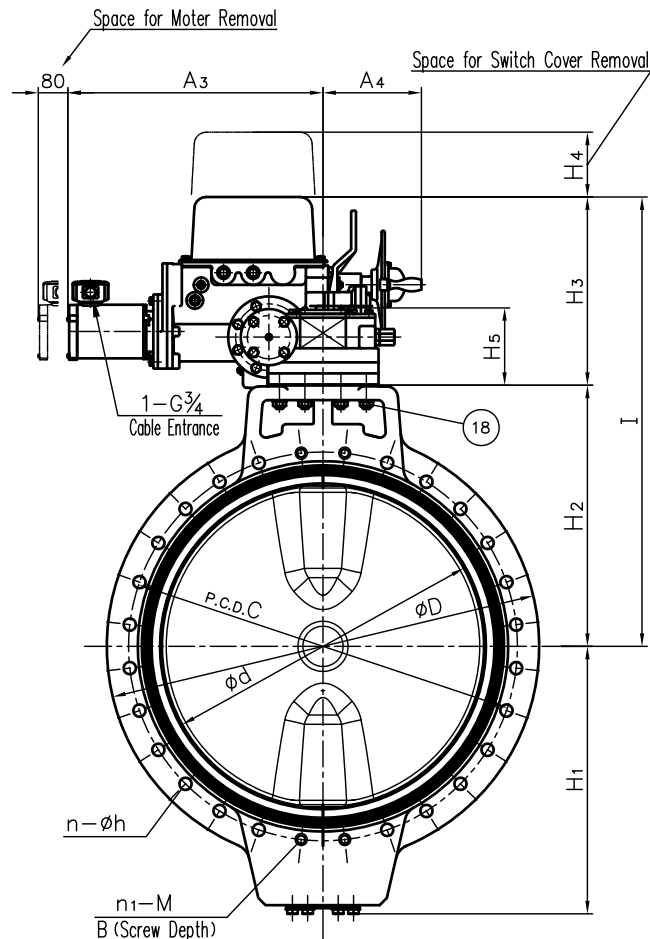
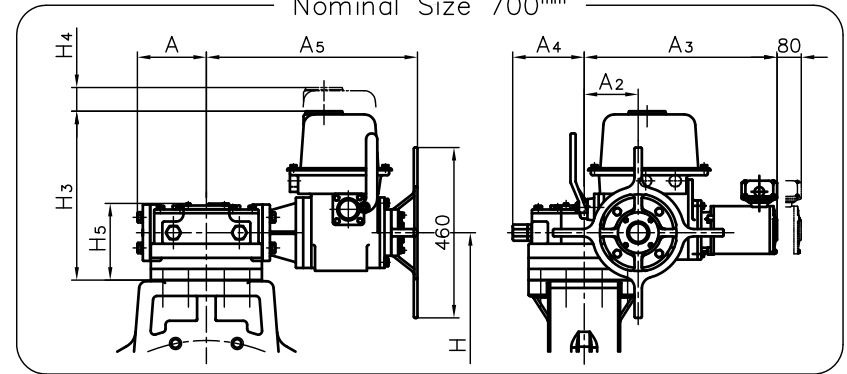
DIMENSIONS TABLE

UNIT: mm

NOMINAL SIZE	ANSI Class 125										ANSI Class 150										ACTUATOR TYPE													
	d	C	h	N Number of Standard Bolt Holes	n Number of through Bolt Holes	n1 Screw Holes		M	B	C	h	N Number of Standard Bolt Holes	n Number of through Bolt Holes	n1 Screw Holes		M	B	D	D <sub>1</sub>	D <sub>3</sub>		L	H	H <sub>1</sub>	H <sub>2</sub>	H <sub>3</sub>	H <sub>4</sub>	H <sub>5</sub>	I	A	A <sub>2</sub>	A <sub>3</sub>	A <sub>4</sub>	A <sub>5</sub>
700mm	28"	670	-	-	-	-	-	-	-	863.5	35	28	24	4	8	1¼	40	928	760	-	206	720	589	590	458	160	206	1048	186	146	521	193	570	LTMD-02/BRM-10
800	32	770	-	-	-	-	-	-	-	978	41	28	24	4	8	1½	50	1034	870	290	240	892	619	620	508	175	206	1128	186	442	661	193	684	LTMD-05/BRM-10
900	36	870	1086	41	32	28	4	8	1½	45	-	-	-	-	-	-	1168	978	290	240	977	704	705	508	175	206	1213	186	442	689	193	684	LTMD-05/BRM-10	
1000	40	970	-	-	-	-	-	-	-	1200	41	36	32	4	8	1½	65	1262	1080	290	300	1058	749	750	544	175	258	1294	220	481	745	236	723	LTMD-05/BRM-18

NOTE. The shape and appearance of assembly differ a little with nominal size compared to this drawing.

Nominal Size 700mm



No.	DESCRIPTION	QTY.	MATERIAL	REMARKS
3a	STABILIZATION RING	2	STAINLESS STEEL (SUS304)	
2a	INSERTED METAL OF DISC	1	DUCTILE IRON (FCDA50)	
1a	INSERTED METAL OF BODY	1	DUCTILE IRON (FCDA50)	
20	ACTUATOR	1	DUCTILE IRON (FCDA50)	Tar Epoxy Coat.
18	BOLT (B)	8	STAINLESS STEEL (SUS304)	
17	GASKET (B)	1	NONAS SHEET	
15	BOLT (A)	6	STAINLESS STEEL (SUS304)	
14	STEM HOLDER (A)	1	STAINLESS STEEL (SUS304)	
13	GASKET (A)	1	NONAS SHEET	
12	BUSH	2	BRONZE CAST (BC6)	
11	KEY (B)	1	CORON STEEL (S45C)	
10	KEY (A)	1	CORON STEEL (S45C)	
9	STEM (B)	1	STAINLESS STEEL (SUS403)	
8	STEM (A)	1	STAINLESS STEEL (SUS403)	
7	O-RING (D)	1	NBR	
6	O-RING (C)	1	NBR	
5	O-RING (B)	3	EPDM	
4	O-RING (A)	11	EPDM	
3	SEAT	1	EPDM	
2	DISC	1	PDCPD	
1	BODY	1	PDCPD	

ITEM	PDCPD BUTTERFLY VALVE ELECTRIC ACTUATED S TYPE ASSY AUTO-RECOVERY TYPE ANSI Class 125-150 700mm (28") ~1000mm (40")		
DRAWN	M.Iwakiri	DATE	SCALE
CHECKED	H.Kawano	SEP.5.2019	
APPROVED	K.Koushou	DRAWING No. RI-AE003AEm	
SPECIAL ORDER No.	ASAHI YUKIZAI CORPORATION		