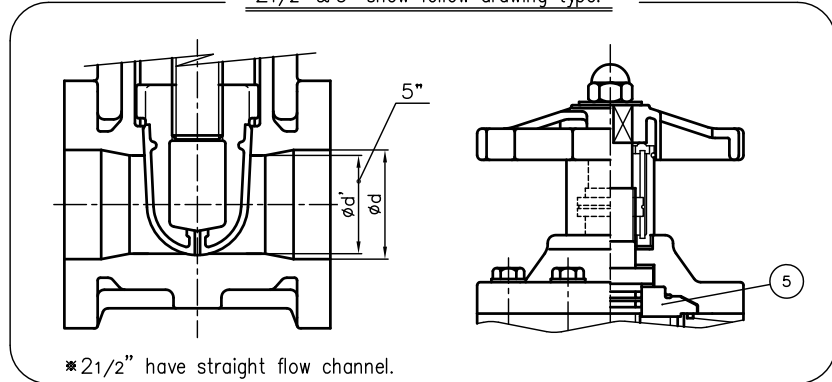
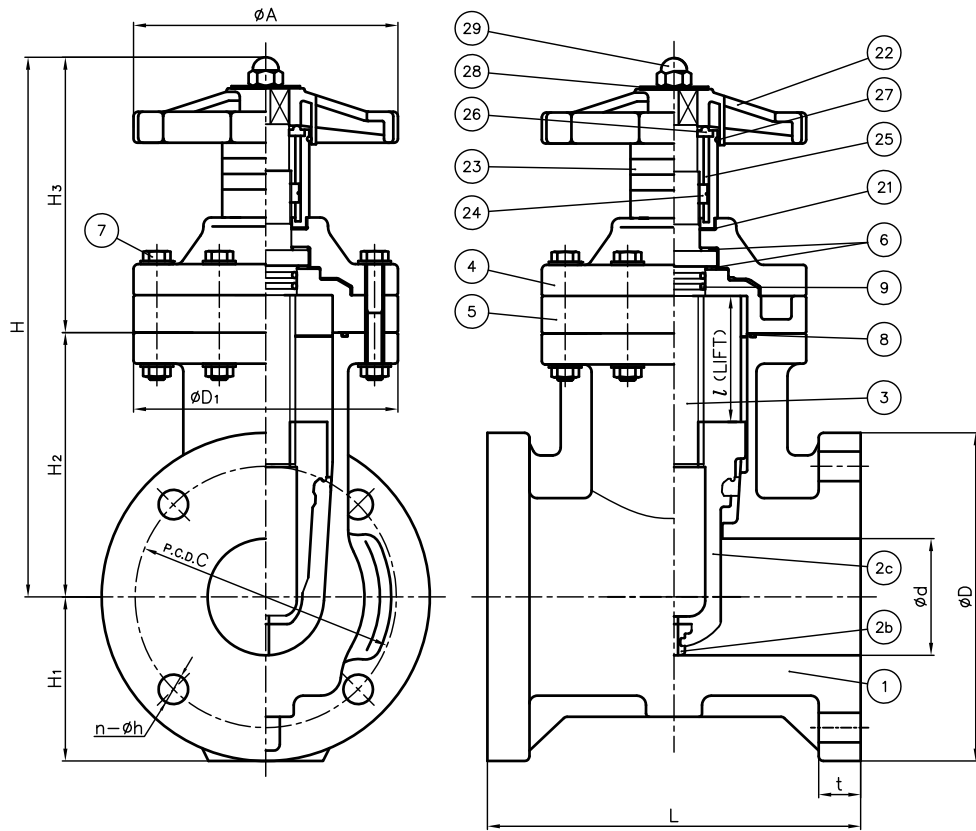
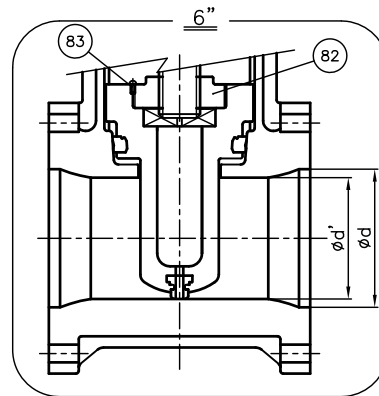


Spec T : 2" ~ 6" (Except for 2 1/2" & 5")

2 1/2" & 5" show follow drawing type.



\*2 1/2" have straight flow channel.



DIMENSIONS TABLE

UNIT: inch

NOMINAL SIZE	FLANGED END															
	ANSI Class 150															
	d	d'	D	C	n	h	L	t	D <sub>1</sub>	l	H	H <sub>1</sub>	H <sub>2</sub>	H <sub>3</sub>	A	
2"	50mm	1.97	-	6.00	4.75	4	0.75	7.01	0.91	5.12	2.05	11.54	2.28	5.28	6.26	5.12
2 1/2"	65	2.56	-	7.00	5.50	4	0.75	7.52	0.94	6.10	2.64	11.89	2.68	5.98	5.91	6.10
3	80	2.95	-	7.50	6.00	4	0.75	7.99	0.98	6.69	3.03	13.78	3.03	6.69	7.09	6.69
4	100	3.94	-	9.00	7.50	8	0.75	9.02	1.06	7.68	4.02	16.14	3.50	8.15	7.99	7.68
5	125	4.92	4.33	10.00	8.50	8	0.88	10.24	1.06	9.25	4.41	16.02	3.50	8.94	7.09	9.06
6	150	5.83	5.12	11.00	9.50	8	0.88	10.51	1.06	10.63	5.20	19.17	4.61	10.35	8.82	10.63

NOTE. 1. The shape and appearance of assembly differ a little with nominal size compared to this drawing.  
 2. PVC STEM: only counterclockwise open  
 3. 2 1/2" and 5" are present type and not new mode type (spec T).

No.	DESCRIPTION	QTY.	MATERIAL	REMARKS
83	SET SCREW (F)	1	STAINLESS STEEL (SUS304)	used for size 6"
82	SCREW HOLDER	1	PVC	used for size 6"
29	BOX NUT	1	STAINLESS STEEL (SUS304)	
28	WASHER	1	PVC	
27	O-RING (G)	1	EPDM	
26	GUIDE PIN HOLDER	1	PVC	
25	GUIDE PIN	1	STAINLESS STEEL (SUS304)	
24	INDICATING RING	1	PVC	
23	INDICATING COVER	1	PC	
22	HAND WHEEL	1	PP	
21	PACKING	1	EPDM	
9	O-RING (C)	2	<input type="checkbox"/> EPDM <input type="checkbox"/> Others	
8	O-RING (B)	1	( )	
7	BOLT · NUT	-	STAINLESS STEEL (SUS304)	
6	THRUST RING	1set (2)	PP	
5	BONNET (B)	1	HI-PVC	
4	BONNET (A)	1	HI-PVC	
3	STEM	1	PVC	
2c	GATE (A)	1	<input type="checkbox"/> HI-PVC <input type="checkbox"/> C-PVC <sup>1)</sup>	<sup>1)</sup> used for size 2 1/2, 5"
2b	SEAT	1	<input type="checkbox"/> SBR <input type="checkbox"/> NBR	
1	BODY	1	HI-PVC	

ITEM	GATE VALVE (TYPE C) ASS'Y SOFT SEAL TYPE : HAND WHEEL MODEL ANSI Class 150 : FLANGED END 2" (50mm) ~ 6" (150mm)			
DRAWN	M.Iwakiri	DATE	SCALE	
CHECKED	H.Kawano	AUG.08.2018	~	
APPROVED	K.Koushou	DRAWING No.		
SPECIAL ORDER No.		SG-60028AE	3	
<b>ASAHI YUKIZAI CORPORATION</b>				