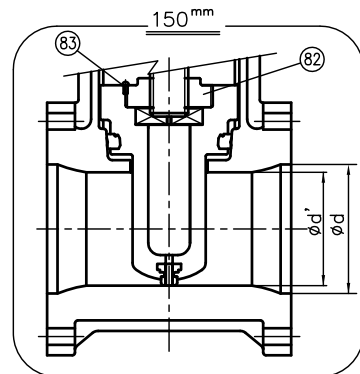
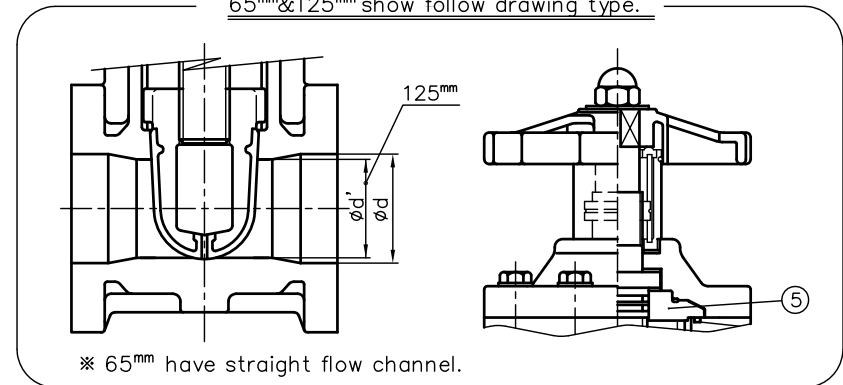
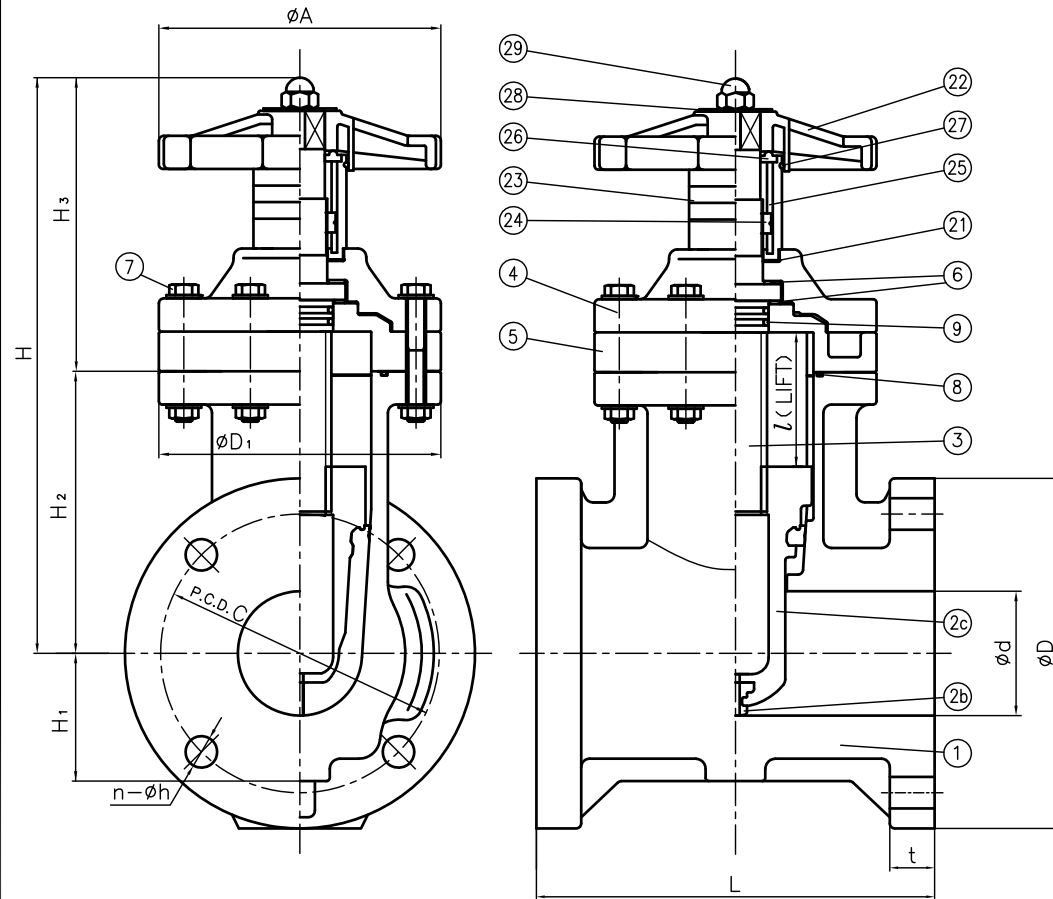


Spec T; 40mm~150mm (Except for 65mm&125mm)

65mm&125mm show follow drawing type.



NOTE.

- The shape and appearance of assembly differ a little with nominal size compared to this drawing.
- 65mm and 125mm are present type and not new mode type (spec T).

|     |                  |          |                                 |                                      |
|-----|------------------|----------|---------------------------------|--------------------------------------|
| 83  | SET SCREW (F)    | 1        | STAINLESS STEEL (SUS304)        | used for size 150mm                  |
| 82  | SCREW HOLDER     | 1        | PVC                             | used for size 150mm                  |
| 29  | BOX NUT          | 1        | STAINLESS STEEL (SUS304)        |                                      |
| 28  | WASHER           | 1        | PVC                             |                                      |
| 27  | O-RING (G)       | 1        | EPDM                            |                                      |
| 26  | GUIDE PIN HOLDER | 1        | PVC                             |                                      |
| 25  | GUIDE PIN        | 1        | STAINLESS STEEL (SUS304)        |                                      |
| 24  | INDECATING RING  | 1        | PVC                             |                                      |
| 23  | INDICATING COVER | 1        | PC                              |                                      |
| 22  | HAND WHEEL       | 1        | PP                              |                                      |
| 21  | PACKING          | 1        | EPDM                            |                                      |
| 9   | O-RING (C)       | 2        | □EPDM<br>□Others                |                                      |
| 8   | O-RING (B)       | 1        | ( )                             |                                      |
| 7   | BOLT · NUT       | -        | STAINLESS STEEL (SUS304)        |                                      |
| 6   | THRUST RING      | 1set (2) | PP                              |                                      |
| 5   | BONNET (B)       | 1        | HI-PVC                          |                                      |
| 4   | BONNET (A)       | 1        | HI-PVC                          |                                      |
| 3   | STEM             | 1        | PVC                             |                                      |
| 2c  | GATE (A)         | 1        | □HI-PVC<br>□C-PVC <sup>1)</sup> | <sup>1)</sup> used for size 65,125mm |
| 2b  | SEAT             | 1        | □SBR<br>□NBR                    |                                      |
| 1   | BODY             | 1        | HI-PVC                          |                                      |
| No. | DESCRIPTION      | QTY.     | MATERIAL                        | REMARKS                              |

DIMENSIONS TABLE

UNIT : mm

| NOMINAL SIZE | d   | d'  | FLANGED END  |     |     |   |    |     |    |     |     |     |     |     |     |     |   |   |
|--------------|-----|-----|--------------|-----|-----|---|----|-----|----|-----|-----|-----|-----|-----|-----|-----|---|---|
|              |     |     | DIN2501 PN10 |     |     |   |    |     |    | L   | t   | D1  | l   | H1  | H2  | H3  | H | A |
|              |     |     | D            | C   | n   | h |    |     |    |     |     |     |     |     |     |     |   |   |
| 40mm         | 1½" | 40  | -            | 150 | 110 | 4 | 18 | 165 | 22 | 120 | 42  | 50  | 107 | -   | -   | 120 |   |   |
| 50           | 2   | 50  | -            | 165 | 125 | 4 | 18 | 180 | 23 | 130 | 52  | 58  | 134 | 159 | 293 | 130 |   |   |
| 65           | 2½  | 65  | -            | 185 | 145 | 4 | 18 | 210 | 24 | 155 | 67  | 68  | 152 | 150 | 302 | 155 |   |   |
| 80           | 3   | 75  | -            | 200 | 160 | 8 | 18 | 240 | 25 | 170 | 77  | 77  | 170 | 180 | 350 | 170 |   |   |
| 100          | 4   | 100 | -            | 220 | 180 | 8 | 18 | 250 | 27 | 195 | 102 | 89  | 207 | 203 | 410 | 195 |   |   |
| 125          | 5   | 125 | 110          | 250 | 210 | 8 | 18 | 260 | 27 | 235 | 112 | 89  | 227 | 180 | 407 | 230 |   |   |
| 150          | 6   | 148 | 130          | 285 | 240 | 8 | 22 | 280 | 27 | 270 | 132 | 117 | 263 | 224 | 487 | 270 |   |   |

|                   |  |             |       |
|-------------------|--|-------------|-------|
| ITEM              | GATE VALVE (TYPE C) ASS'Y<br>SOFT SEAL TYPE : HAND WHEEL MODEL<br>DIN : FLANGED END<br>40mm (1½") ~ 150mm (6") |             |       |
| DRAWN             | M.Iwakiri  | DATE        | SCALE |
| CHECKED           | H.Kawano   | AUG.08.2018 | ~     |
| APPROVED          | K.Koushou  | DRAWING No. |       |
|                   |  | SG-60028DE  |       |
| SPECIAL ORDER No. | ASAHI YUKIZAI CORPORATION  |             |       |