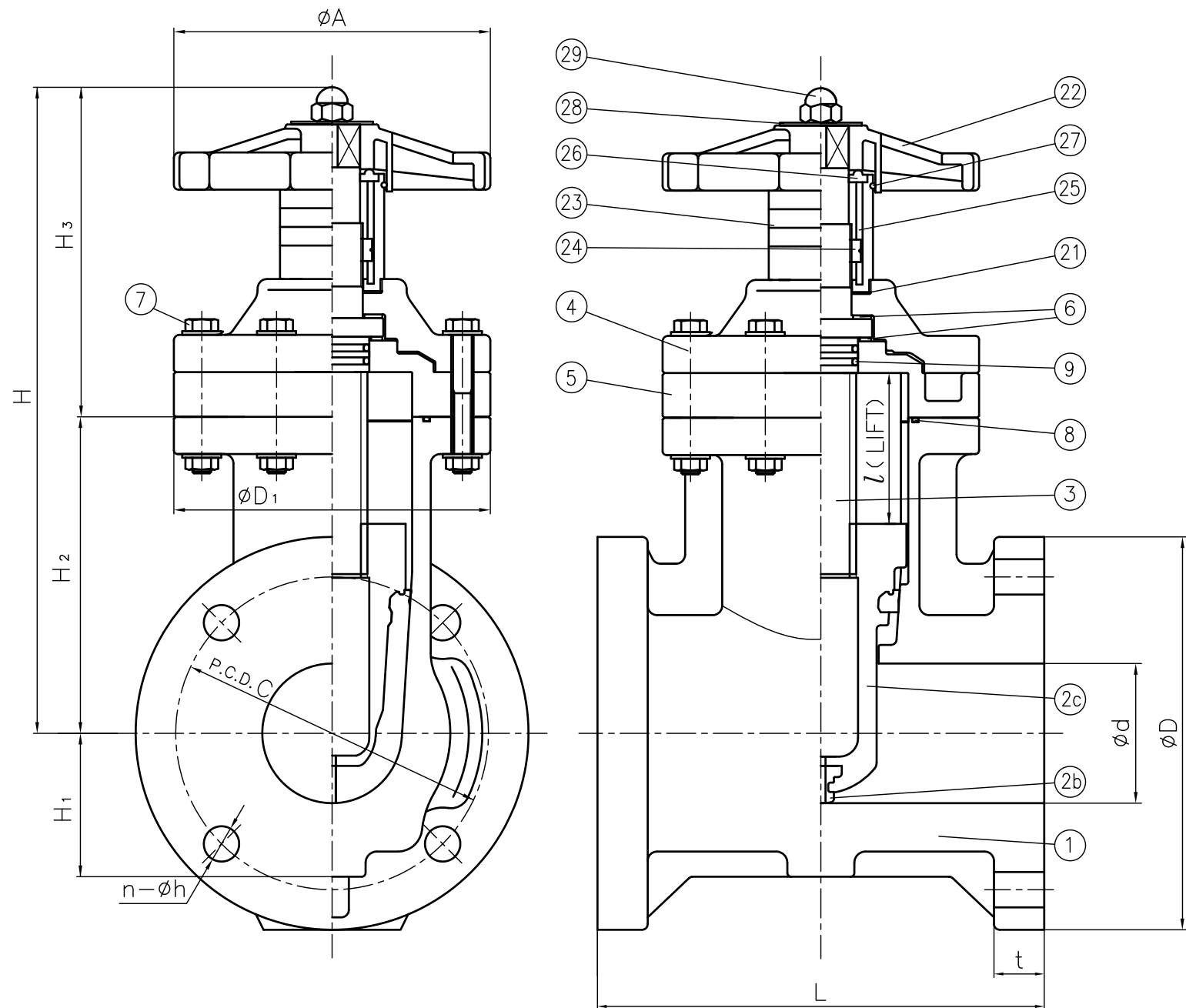
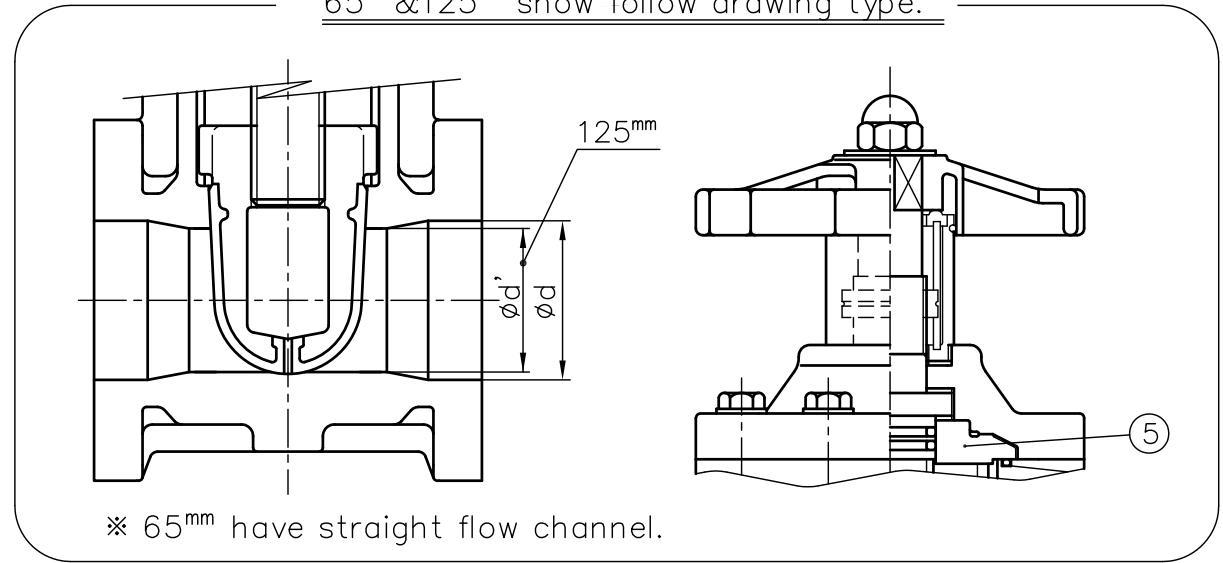


Spec T; 50^{mm}~150^{mm} (Except for 65^{mm}&125^{mm})

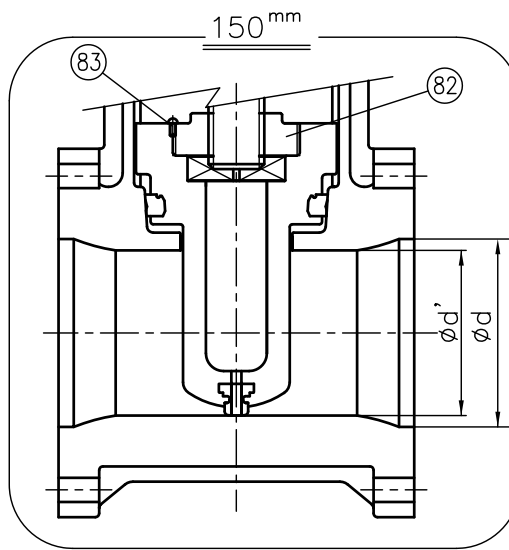


65^{mm}&125^{mm} show follow drawing type.



NOTE.

1. The shape and appearance of assembly differ a little with nominal size compared to this drawing.
2. 65^{mm} and 125^{mm} are present type and not new mode type (spec T).



83	SET SCREW (F)	1	STAINLESS STEEL (SUS304)	used for size 150 ^{mm}
82	SCREW HOLDER	1	PVC	used for size 150 ^{mm}
29	BOX NUT	1	STAINLESS STEEL (SUS304)	
28	WASHER	1	PVC	
27	O-RING (G)	1	EPDM	
26	GUIDE PIN HOLDER	1	PVC	
25	GUIDE PIN	1	STAINLESS STEEL (SUS304)	
24	INDECATING RING	1	PVC	
23	INDICATING COVER	1	PC	
22	HAND WHEEL	1	PP	
21	PACKING	1	EPDM	
9	O-RING (C)	2	□EPDM □Others	
8	O-RING (B)	1	()	
7	BOLT · NUT	-	STAINLESS STEEL (SUS304)	
6	THRUST RING	1set (2)	PP	
5	BONNET (B)	1	HI-PVC	
4	BONNET (A)	1	HI-PVC	
3	STEM	1	PVC	
2c	GATE (A)	1	□HI-PVC □C-PVC ¹⁾	¹⁾ used for size 65,125 ^{mm}
2b	SEAT	1	□SBR □NBR	
1	BODY	1	HI-PVC	
No.	DESCRIPTION	QTY.	MATERIAL	REMARKS

DIMENSIONS TABLE

UNIT : mm

NOMINAL SIZE	d	d'	FLANGED END							D1	l	H1	H2	H3	H	A
			JIS10K													
			D	C	n	h	L	t								
50 ^{mm}	2"	50	-	155	120	4	19	180	23	130	52	58	134	159	293	130
65	2½"	65	-	175	140	4	19	190	24	155	67	68	152	150	302	155
80	3"	75	-	185	150	8	19	200	25	170	77	77	170	180	350	170
100	4"	100	-	210	175	8	19	230	27	195	102	89	207	203	410	195
125	5"	125	110	250	210	8	23	260	27	235	112	89	227	180	407	230
150	6"	148	130	280	240	8	23	270	28	270	132	117	263	224	487	270

ITEM	GATE VALVE (TYPE C) ASS'Y SOFT SEAL TYPE : HAND WHEEL MODEL JIS 10K : FLANGED END 50 ^{mm} (2") ~ 150 ^{mm} (6")			
DRAWN	M.Oosako	DATE	SCALE	
CHECKED	H.Kawano	JUN.10.2009	DRAWING No.	
APPROVED	Y.Ozaki	SG-60028JE	△	
SPECIAL ORDER No.	ASAHI YUKIZAI CORPORATION			