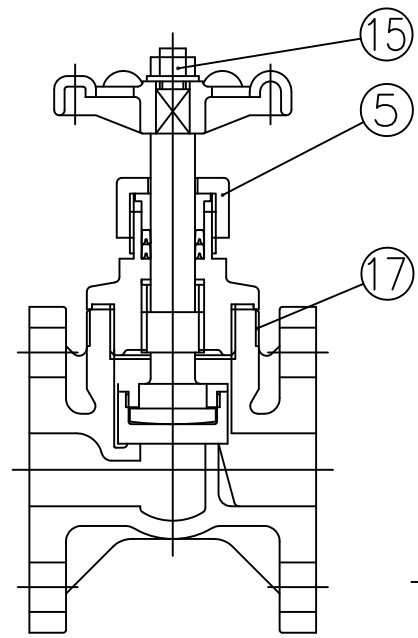
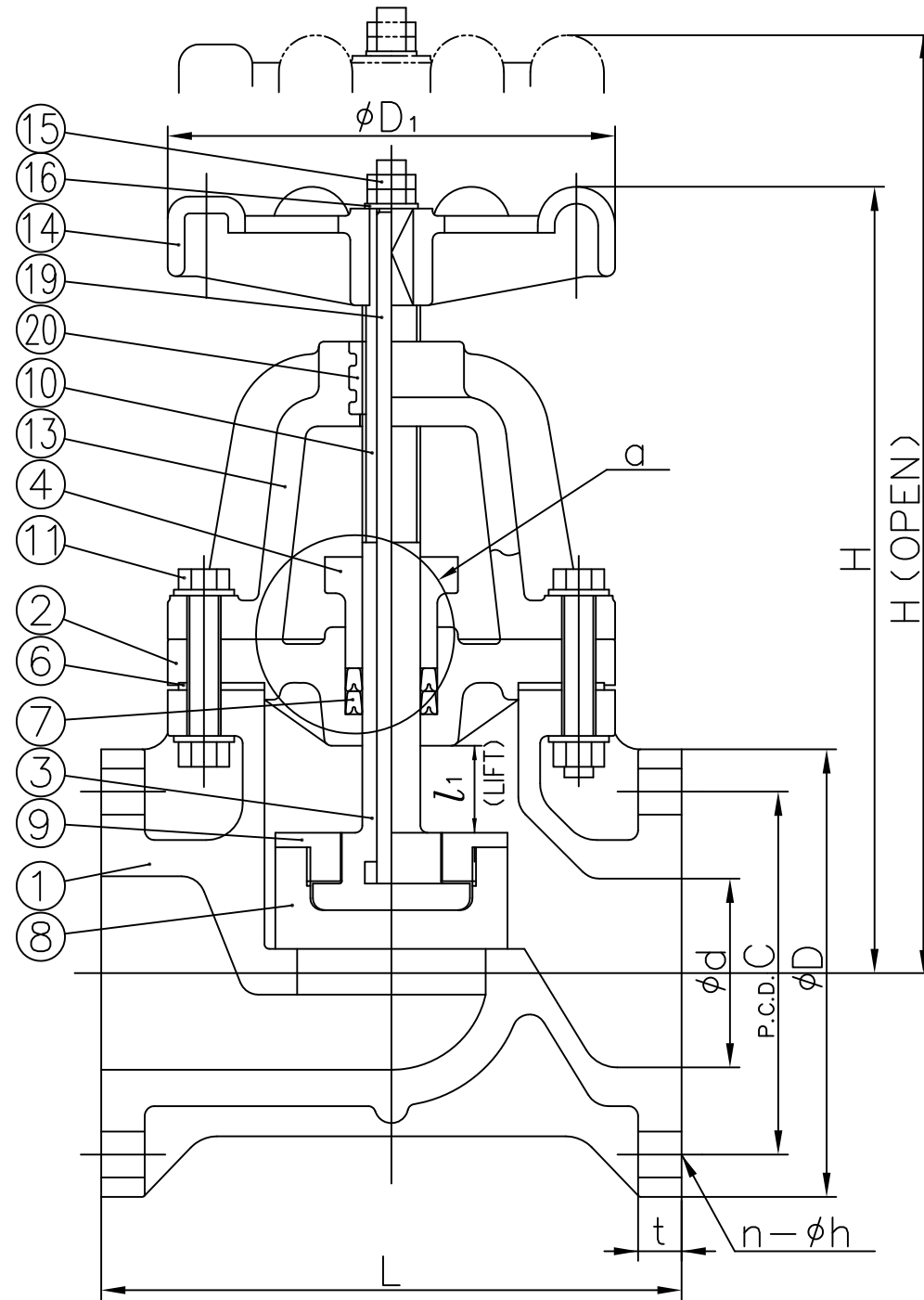
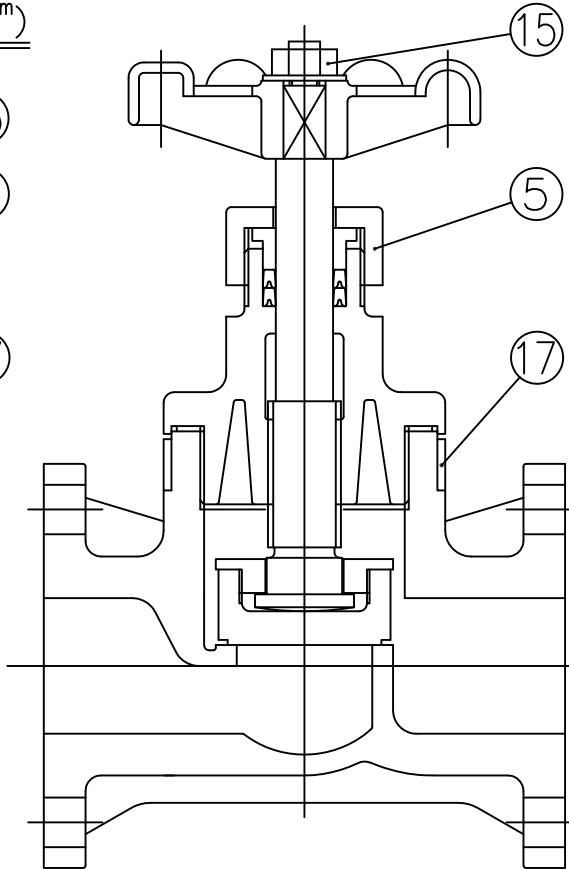


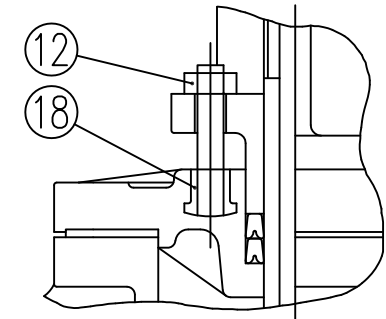
$1\frac{1}{2}''(15\text{mm}) \sim 1\frac{1}{4}''(30\text{mm})$



$1\frac{1}{2}''(40\text{mm}) \cdot 2''(50\text{mm})$



$2\frac{1}{2}''(65\text{mm}) \sim 4''(100\text{mm})$



DETAIL OF PART 'a'

DIMENSIONS TABLE

UNIT : INCH

NOMINAL SIZE	d	ANSI Class150					L	t	l <sub>1</sub>	D <sub>1</sub>	H	H
		D	C	n	h	(OPEN)						
1/2"	15 <sup>mm</sup>	0.71	3.50	2.38	4	0.62	3.35	0.47	0.31	2.60	4.88	5.20
3/4	20	0.94	3.88	2.75	4	0.62	3.74	0.55	0.31	2.60	5.20	5.51
1	25	1.10	4.25	3.12	4	0.62	4.33	0.55	0.43	3.58	5.91	6.34
1 1/4	30	1.46	4.62	3.50	4	0.62	5.31	0.63	0.51	3.58	6.06	6.57
1 1/2	40	1.61	5.00	3.88	4	0.62	7.48	0.63	0.67	5.31	8.58	9.25
2	50	2.05	6.00	4.75	4	0.75	7.87	0.63	0.87	5.31	9.33	10.20
2 1/2	65	2.64	7.00	5.50	4	0.75	8.66	0.71	1.38	7.28	12.20	13.58
3	80	3.07	7.50	6.00	4	0.75	9.45	0.71	1.38	7.28	12.76	14.13
4	100	3.94	9.00	7.50	8	0.75	11.42	0.71	1.57	7.28	14.92	16.50

NOTE. The shape and appearance of assembly differ a little with nominal size compared to this drawing.

20	INSERTED METAL	1	BRONZE (BC6)	used for size 1/2"~4"
19	INSERTED METAL OF STEM	1	STEEL (SS400)	used for size 1/2"~4"
18	INSERTED NUT	2	COPPERALLOY (C3604)	used for size 1/2"~4"
17	RING FOR REINFORCING	1	STAINLESS STEEL (SUS304)	used for PP BODY size 1/2"~2"
16	WASHER	1	PVC	used for size 1/2"~2"
		1	STEEL (SS304)	used for size 1/2"~4"
15	NUT (A)	1	PVC	used for size 1/2"~2"
		2	STEEL (SS304)	used for size 1/2"~4"
14	HAND WHEEL	1	P P	
13	SUPPORT OF STEM	1	P P	used for size 1/2"~4"
12	STUD BOLT NUT	2	STAINLESS STEEL (SUS304)	used for size 1/2"~4"
11	BOLT NUT	8	STAINLESS STEEL (SUS304)	used for size 1/2"~4"
10	STEM WITH TRAPEZOID SCREW	1	COPPERALLOY (C3604)	used for size 1/2"~4"
9	STEM HOLDER	1	P P	
8	DISC	1	P P	
7	GLAND PACKING	1set	□ EPDM □ PTFE □ Others	3) In case that GLAND PACKING is PTFE ; EPDM coated with PTFE
6	SHEET GASKET <sup>3)</sup>	1		
5	GLAND NUT <sup>2)</sup>	1		1) 2 1/2"~4" : PP
4	GLAND	1	□ PVC	2) used for size 1/2"~2"
3	STEM <sup>1)</sup>	1		
2	BONNET	1	□ PP	
1	BODY	1		
No.	DESCRIPTION	No.REQ'D	MATERIAL	REMARKS

STOP VALVE ASS'Y  
ANSI Class 150 : FLANGED END  
1/2"(15mm) ~ 4"(100mm)

DRAWN	E.Enmei	DATE	SCALE
CHECKED	A.Kuroki	APR.5.2002	~
APPROVED	Y.Kuroki	DRAWING No. ST-M1001AE	
SPECIAL ORDER No.	ASAHI YUKIZAI CORPORATION		