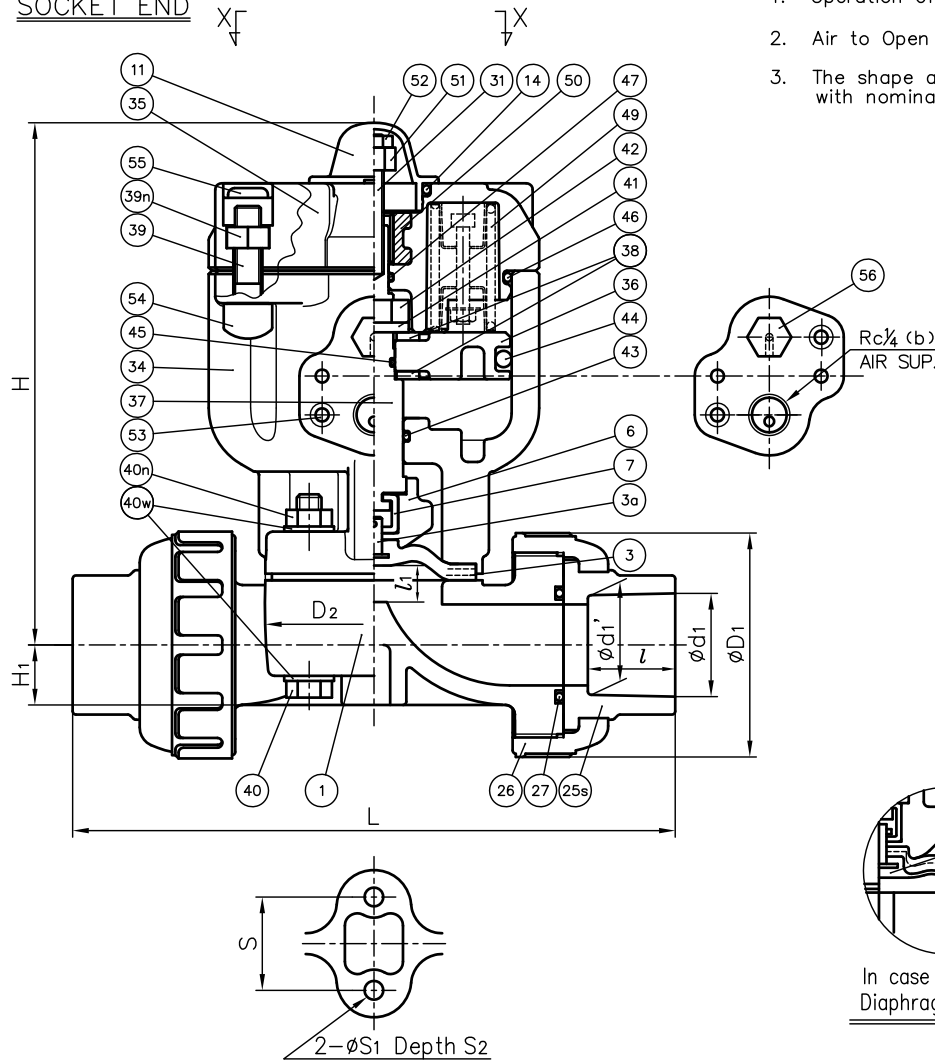


DIMENSIONS TABLE

Unit : mm

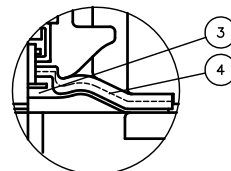
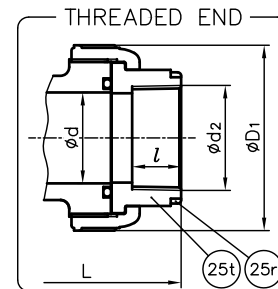
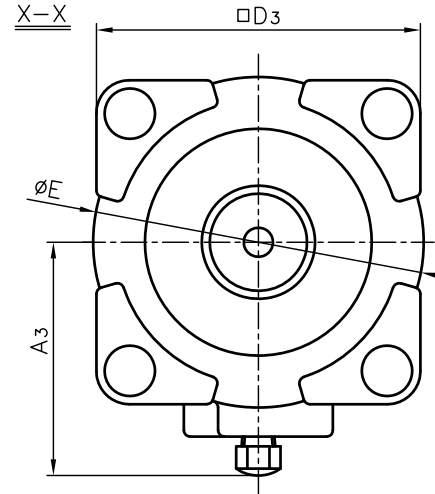
| Nominal Size | SOCKET END     |                  |       |       |                |              |       |                |     |    | THREADED END   |                |                |     |                          |    |                |                |    |                |                |    |  |
|--------------|----------------|------------------|-------|-------|----------------|--------------|-------|----------------|-----|----|----------------|----------------|----------------|-----|--------------------------|----|----------------|----------------|----|----------------|----------------|----|--|
|              | PVC,C-PVC      |                  |       |       |                | PP,PVDF(IPS) |       |                |     |    |                |                |                |     |                          |    |                |                |    |                |                |    |  |
|              | ASTM SCH80     |                  |       |       |                |              |       |                |     |    |                |                |                |     |                          |    |                |                |    |                |                |    |  |
| d            | d <sub>1</sub> | d <sub>1</sub> ' | l     | L     | d <sub>1</sub> | l            | L     | d <sub>2</sub> | l   | L  | D <sub>1</sub> | D <sub>2</sub> | D <sub>3</sub> | E   | l <sub>1</sub><br>(LIFT) | H  | H <sub>1</sub> | A <sub>3</sub> | S  | S <sub>1</sub> | S <sub>2</sub> |    |  |
| ½"           | 15mm           | 16               | 21.54 | 21.23 | 22.23          | 139          | 21.08 | 22.2           | 138 | 15 | 128            | 48             | 54x66          | 91  | 94                       | 8  | 145            | 19.5           | 67 | 25             | 7              | 13 |  |
| ¾"           | 20             | 20               | 26.87 | 26.57 | 25.4           | 157          | 26.16 | 25.4           | 155 | 17 | 148            | 60             | 60x74          | 91  | 94                       | 8  | 153            | 17.5           | 67 | 25             | 7              | 13 |  |
| 1"           | 25             | 25               | 33.66 | 33.27 | 28.58          | 186          | 33.02 | 28.6           | 184 | 1  | 172            | 70             | 67x80          | 100 | 102                      | 10 | 161            | 18.5           | 72 | 25             | 7              | 13 |  |
| 1¼"          | 32             | 32               | 42.42 | 42.04 | 31.75          | 202          | 41.91 | 31.75          | 198 | 1¼ | 188            | 82             | 67x80          | 100 | 102                      | 10 | 165            | 22.5           | 72 | 25             | 7              | 13 |  |

SOCKET END



NOTE.

- Operation of permission pressure: (PN0.7)0.4~0.6MPa G (PN1.0)0.5~0.6MPa G
- Air to Open : Valve Open :Port (b) Supply  
Valve Shut :Port (b) Exhaust
- The shape and appearance of assembly differ a little with nominal size compared to this drawing.



In case Material of Diaphragm is PTFE

| No.               | DESCRIPTION   | QTY.        | MATERIAL                      | REMARKS                                      |
|-------------------|---|-------------|-------------------------------|--|
| 25r               | RING FOR END CONNECTOR (THREADED END)   | 2           | STAINLESS STEEL (SUS304)      | Used for C-PVC Body, Threaded End: 15mm~25mm |
| 56                | NIPPLE  | 1           | COPPER ALLOY (C3604)          |  |
| 55                | CAP   | 4           | EPDM                          | PN0.7: Red<br>PN1.0: Blue                    |
| 54                | CAP FOR HEXAGON SOCKET HEAD CAP SCREWS  | 4           | PVC                           |  |
| 53                | INSERTED METAL OF CYLINDER BODY   | 2           | STAINLESS STEEL (SUS304)      |  |
| 52                | NUT (No.52)   | 1           | STAINLESS STEEL (SUS304)      |  |
| 51                | STOPPER FOR PNEUMATIC ACTUATOR  | 1           | STAINLESS STEEL (SUS304)      |  |
| 50                | INSERTED METAL OF CYLINDER COVER  | 1           | STAINLESS STEEL (SUS304)      |  |
| 49                | SPRING UNIT   | —           | SWOSC-V etc.                  |  |
| 47                | O-RING (No.47)  | 1           | NBR                           |  |
| 46                | O-RING (No.46)  | 1           | NBR                           |  |
| 45                | O-RING (No.45)  | 1           | NBR                           |  |
| 44                | O-RING (No.44)  | 1           | NBR                           |  |
| 43                | O-RING (No.43)  | 1           | NBR                           |  |
| 42                | NUT (No.42)   | 1           | STAINLESS STEEL (SUS304)      |  |
| 41                | SPRING WASHER   | 1           | STAINLESS STEEL (SUS304)      |  |
| 40n               | NUT (No.40)   | 4           | STAINLESS STEEL (SUS304)      |  |
| 40w               | WASHER (No.40)  | 8           | STAINLESS STEEL (SUS304)      |  |
| 40                | BOLT (No.40)  | 4           | STAINLESS STEEL (SUS304)      |  |
| 39n               | NUT (No.39)   | 4           | STAINLESS STEEL (SUS304)      |  |
| 39                | HEXAGON SOCKET HEAD CAP SCREWS  | 4           | STAINLESS STEEL (SUS304)      |  |
| 38                | WASHER (No.38)  | 2           | STAINLESS STEEL (SUS304)      |  |
| 37                | STEM FOR PNEUMATIC ACTUATOR   | 1           | COPPER ALLOY (C3604)          |  |
| 36                | PISTON  | 1           | PPG                           |  |
| 35                | CYLINDER COVER  | 1           | PPG                           |  |
| 34                | CYLINDER BODY   | 1           | PPG                           |  |
| 31                | INDICATOR ROD   | 1           | STAINLESS STEEL (SUS304)      |  |
| 27                | O-RING (No.27)  | 2           | □EPDM<br>□Others ( )          |  |
| 14                | O-RING (No.14)  | 1           | EPDM                          |  |
| 11                | GAUGE COVER   | 1           | PC                            |  |
| 7                 | JOINT   | 1           | STAINLESS STEEL (SUS304)      |  |
| 6                 | COMPRESSOR  | 1           | PVDF                          |  |
| 4                 | CUSHION   | 1           | EPDM                          | Used for PTFE Diaphragm                      |
| 3a                | INSERTED METAL OF DIAPHRAGM   | 1           | STAINLESS STEEL (SUS304)      |  |
| 3                 | DIAPHRAGM   | 1           | □EPDM<br>□PTFE<br>□Others ( ) |  |
| 26                | UNION NUT   | 2           | □PVC<br>□C-PVC                |  |
| 25t               | END CONNECTOR (THREADED END)  | 2           | □C-PVC                        |  |
| 25s               | END CONNECTOR (SOCKET END)  | 2           | □PP<br>□PVDF                  |  |
| 1                 | BODY  | 1           |                               |  |
| No.               | DESCRIPTION   | QTY.        | MATERIAL                      | REMARKS                                      |
| ITEM              | T.U. DIAPHRAGM VALVE PNEUMATIC ACTUATED MODEL TYPE AI ASS'Y<br>AIR TO OPEN ( □PN0.7 , □PN1.0 )<br>ANSI : □SOCKET END, □THREADED END<br>15mm (½") ~ 32mm (1¼") |             |                               |  |
| DRAWN             | M.Iwakiri   | DATE        | SCALE                         |  |
| CHECKED           | H.Kawano  | MAY.21.2019 |                               |  |
| APPROVED          | K.Koushou   | DRAWING No. |                               |  |
|                   |   | T1-AA016AEm |                               | △  |
| SPECIAL ORDER No. | ASAHI YUKIZAI CORPORATION   |             |                               |  |