

DIMENSIONS TABLE

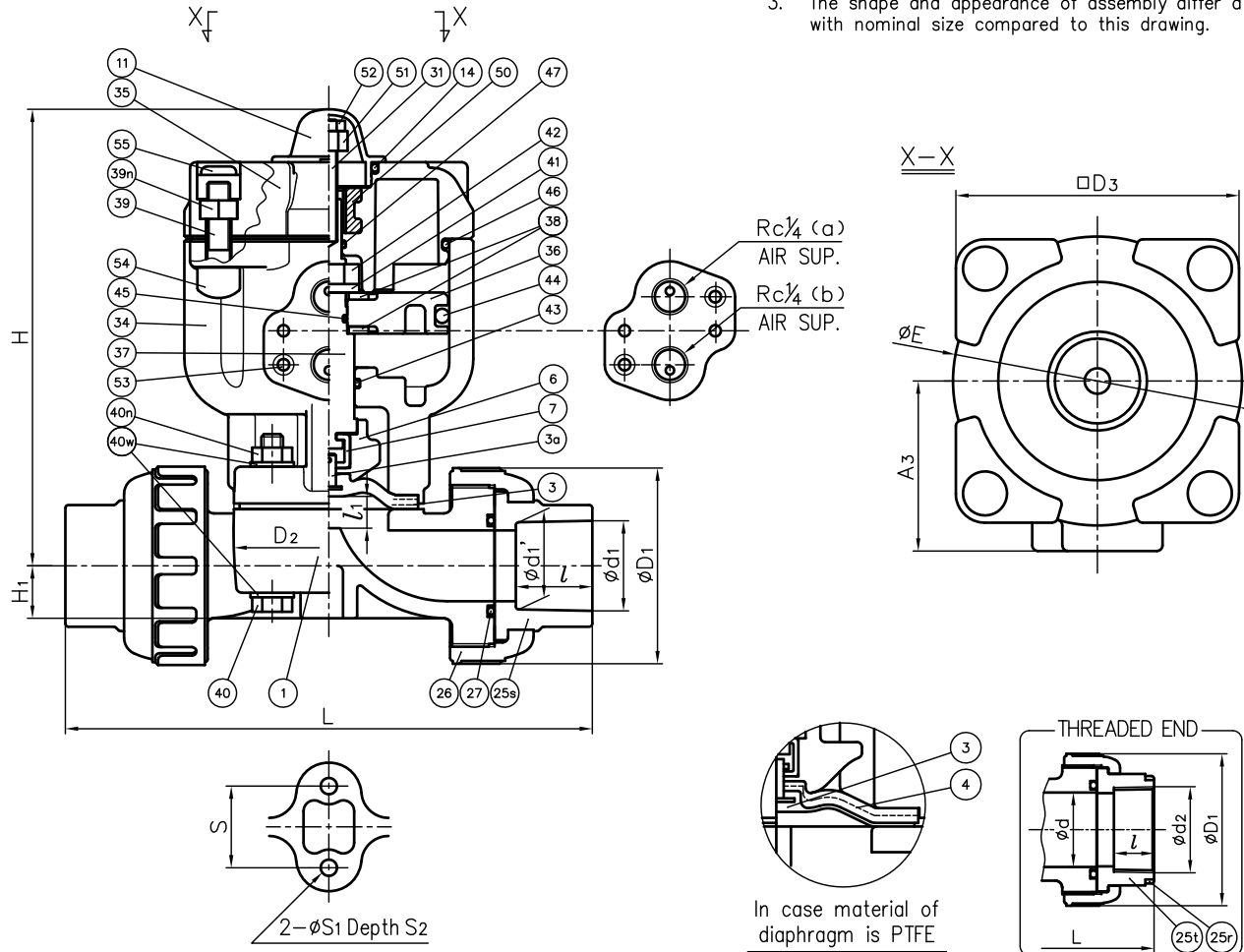
Unit : mm

Nominal Size		SOCKET END							THREADED END							D ₁	D ₂	D ₃	E	L ₁ (LIFT)	H	H ₁	A ₃	S	S ₁	S ₂							
		PVC,C-PVC				PP,PVDF(IPS)			d ₂	l	L	D ₁	D ₂	D ₃	E												L ₁	H	H ₁	A ₃	S	S ₁	S ₂
		d ₁	d ₁ '	l	L	d ₁	l	L																									
1/2"	15mm	16	21.54	21.23	22.23	139	21.08	22.2	138	1/2 - 14 NPT	15	128	48	54x66	91	94	8	145	19.5	55	25	7	13										
3/4	20	20	26.87	26.57	25.4	157	26.16	25.4	155	3/4 - 14 NPT	17	148	60	60x74	91	94	8	153	17.5	55	25	7	13										
1	25	25	33.66	33.27	28.58	186	33.02	28.6	184	1 - 11 1/2 NPT	20	172	70	67x80	100	102	10	161	18.5	60	25	7	13										
1 1/4	32	32	42.42	42.04	31.75	202	41.91	31.75	198	1 1/4 - 11 1/2 NPT	22	188	82	67x80	100	102	10	165	22.5	60	25	7	13										

NOTE.

1. Operation of permission pressure: 0.4~0.6MPa G
2. Double Acting; Valve open: Port (a) Exhaust Port (b) Supply
Valve shut: Port (a) Supply Port (b) Exhaust
3. The shape and appearance of assembly differ a little with nominal size compared to this drawing.

SOCKET END



25r	RING FOR END CONNECTOR (THREADED END)	2	STAINLESS STEEL (SUS304)	Used for C-PVC Body, Threaded End: 15mm~25mm
55	CAP	4	EPDM	
54	CAP FOR HEXAGON SOCKET HEAD CAP SCREWS	4	PVC	Blue
53	INSERTED METAL OF CYLINDER BODY	2	STAINLESS STEEL (SUS304)	
52	NUT (No.52)	1	STAINLESS STEEL (SUS304)	
51	STOPPER FOR PNEUMATIC ACTUATOR	1	STAINLESS STEEL (SUS304)	
50	INSERTED METAL OF CYLINDER COVER	1	STAINLESS STEEL (SUS304)	
47	O-RING (No.47)	1	NBR	
46	O-RING (No.46)	1	NBR	
45	O-RING (No.45)	1	NBR	
44	O-RING (No.44)	1	NBR	
43	O-RING (No.43)	1	NBR	
42	NUT (No.42)	1	STAINLESS STEEL (SUS304)	
41	SPRING WASHER	1	STAINLESS STEEL (SUS304)	
40n	NUT (No.40)	4	STAINLESS STEEL (SUS304)	
40w	WASHER (No.40)	8	STAINLESS STEEL (SUS304)	
40	BOLT (No.40)	4	STAINLESS STEEL (SUS304)	
39n	NUT (No.39)	4	STAINLESS STEEL (SUS304)	
39	HEXAGON SOCKET HEAD CAP SCREWS	4	STAINLESS STEEL (SUS304)	
38	WASHER (No.38)	2	STAINLESS STEEL (SUS304)	
37	STEM FOR PNEUMATIC ACTUATOR	1	COPPER ALLOY (C3604)	
36	PISTON	1	PPG	
35	CYLINDER COVER	1	PPG	
34	CYLINDER BODY	1	PPG	
31	INDICATOR ROD	1	STAINLESS STEEL (SUS304)	
27	O-RING (No.27)	2	□EPDM □Others ()	
14	O-RING (No.14)	1	EPDM	
11	GAUGE COVER	1	PC	
7	JOINT	1	STAINLESS STEEL (SUS304)	
6	COMPRESSOR	1	PVDF	
4	CUSHION	1	EPDM	Used for PTFE Diaphragm
3a	INSERTED METAL OF DIAPHRAGM	1	STAINLESS STEEL (SUS304)	
3	DIAPHRAGM	1	□EPDM □PTFE □Others ()	
26	UNION NUT	2	□PVC □C-PVC	
25t	END CONNECTOR (THREADED END)	2	□PP □PVDF	
25s	END CONNECTOR (SOCKET END)	2	□PP □PVDF	
1	BODY	1		
No.	DESCRIPTION	QTY.	MATERIAL	REMARKS

ITEM	T.U. DIAPHRAGM VALVE PNEUMATIC ACTUATED MODEL TYPE AI ASSY DOUBLE ACTING ANSI: □ SOCKET END, □ THREADED END 15mm (1/2") ~ 32mm (1 1/4")			
DRAWN	M.Iwakiri	DATE	SCALE	
CHECKED	H.Kawano	MAY.21.2019		
APPROVED	K.Koushou	DRAWING No.		
SPECIAL ORDER No.	T1-AA029AEm			
ASAHI YUKIZAI CORPORATION				