

DIMENSIONS TABLE

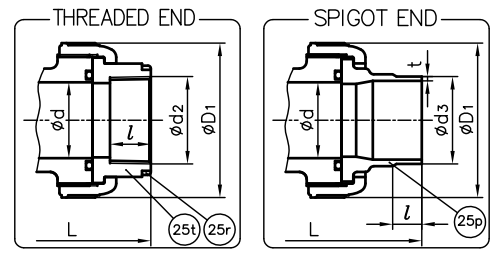
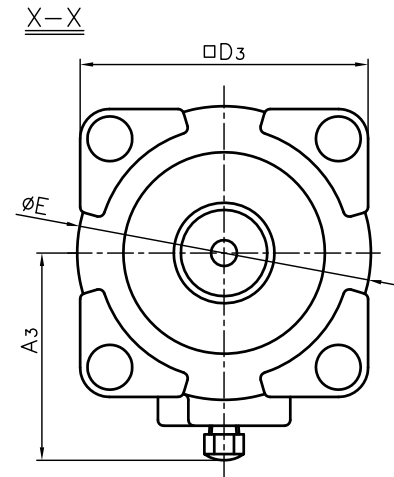
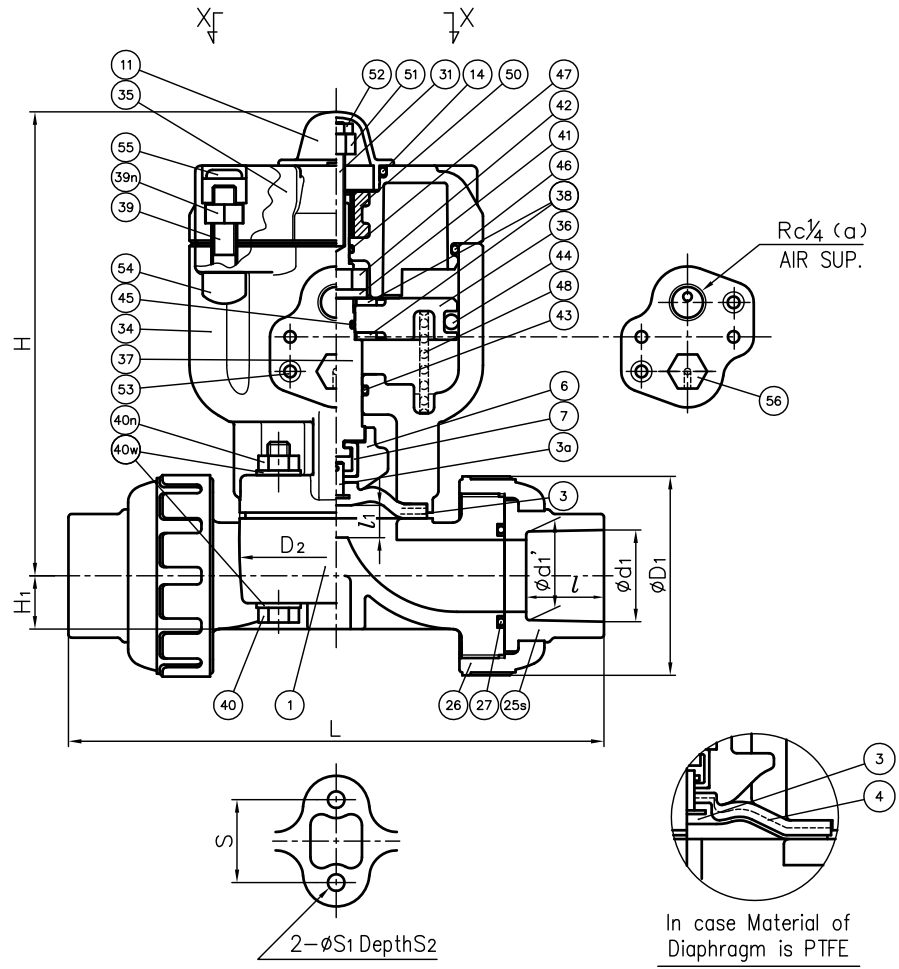
Unit : mm

NOMINAL SIZE	SOCKET END								THREADED END			SPIGOT END																		
	PVC,C-PVC				PP,PVDF				d <sub>2</sub>	l	L	PVC			PP,PVDF					D <sub>1</sub>	D <sub>2</sub>	D <sub>3</sub>	E	l <sub>1</sub> (LIFT)	H	H <sub>1</sub>	A <sub>3</sub>	S	S <sub>1</sub>	S <sub>2</sub>
	d	d <sub>1</sub>	l	L	d <sub>1</sub>	d <sub>1</sub> '	l	L				d <sub>3</sub>	l	L	d <sub>3</sub>	l	PP	PVDF	L											
15mm 1/2"	16	20	16	128	19.5	19.3	14.5	125	Rp1/2	15	128	20	18.5	150	20	18.5	2.5	1.9	150	48	54×66	91	94	8	145	19.5	67	25	7	13
20 3/4"	20	25	19	147	24.5	24.3	16	141	Rp3/4	17	148	25	24	172	25	22	2.7	1.9	172	60	60×74	91	94	8	153	17.5	67	25	7	13
25 1"	25	32	22	172	31.5	31.3	18	164	Rp1	20	172	32	24.5	195	32	22.5	3.0	2.4	195	70	67×80	100	102	10	161	18.5	72	25	7	13
32 1 1/4"	32	40	26	188	39.45	39.2	20.5	177	Rp1 1/4	22	188	40	28	212	40	26	3.7	2.4	212	82	67×80	100	102	10	165	22.5	72	25	7	13

NOTE.

1. Operation of permission pressure: 0.4~0.6MPa G
2. Air To Shut: Valve open: Port (a) Exhaust  
Valve shut: Port (a) Supply
3. The shape and appearance of assembly differ a little with nominal size compared to this drawing.

SOCKET END



25r	RING FOR END CONNECTOR (THREADED END)	2	STAINLESS STEEL (SUS304)	Used for C-PVC Body, Threaded End: 15mm~25mm
56	NIPPLE	1	COPPER ALLOY (C3604)	
55	CAP	4	EPDM	Blue
54	CAP FOR HEXAGON SOCKET HEAD CAP SCREWS	4	PVC	
53	INSERTED METAL OF CYLINDER BODY	2	STAINLESS STEEL (SUS304)	
52	NUT (No.52)	1	STAINLESS STEEL (SUS304)	
51	STOPPER FOR PNEUMATIC ACTUATOR	1	STAINLESS STEEL (SUS304)	
50	INSERTED METAL OF CYLINDER COVER	1	STAINLESS STEEL (SUS304)	
48	SPRING	1	SPRING STEEL (SUSM-B)	
47	O-RING (No.47)	1	NBR	
46	O-RING (No.46)	1	NBR	
45	O-RING (No.45)	1	NBR	
44	O-RING (No.44)	1	NBR	
43	O-RING (No.43)	1	NBR	
42	NUT (No.42)	1	STAINLESS STEEL (SUS304)	
41	SPRING WASHER	1	STAINLESS STEEL (SUS304)	
40n	NUT (No.40)	4	STAINLESS STEEL (SUS304)	
40w	WASHER (No.40)	8	STAINLESS STEEL (SUS304)	
40	BOLT (No.40)	4	STAINLESS STEEL (SUS304)	
39n	NUT (No.39)	4	STAINLESS STEEL (SUS304)	
39	HEXAGON SOCKET HEAD CAP SCREWS	4	STAINLESS STEEL (SUS304)	
38	WASHER (No.38)	2	STAINLESS STEEL (SUS304)	
37	STEM FOR PNEUMATIC ACTUATOR	1	COPPER ALLOY (C3604)	
36	PISTON	1	PPG	
35	CYLINDER COVER	1	PPG	
34	CYLINDER BODY	1	PPG	
31	INDICATOR ROD	1	STAINLESS STEEL (SUS304)	
27	O-RING (No.27)	2	□EPDM □Others ( )	
14	O-RING (No.14)	1	EPDM	
11	GAUGE COVER	1	PC	
7	JOINT	1	STAINLESS STEEL (SUS304)	
6	COMPRESSOR	1	PVDF	
4	CUSHION	1	EPDM	Used for PTFE Diaphragm
3a	INSERTED METAL OF DIAPHRAGM	1	STAINLESS STEEL (SUS304)	
3	DIAPHRAGM	1	□EPDM □PTFE □Others ( )	
26	UNION NUT	2		
25p	END CONNECTOR (SPIGOT END)	2	□PVC □C-PVC	
25t	END CONNECTOR (THREADED END)	2	□PP □PPVDF	
25s	END CONNECTOR (SOCKET END)	2	□PVC □PPVDF	
1	BODY	1		
No.	DESCRIPTION	QTY.	MATERIAL	REMARKS
ITEM	T.U. DIAPHRAGM VALVE PNEUMATIC ACTUATED MODEL TYPE AI ASSY AIR TO SHUT DIN: □ SOCKET END, □ THREADED END, □ SPIGOT END 15mm (1/2") ~ 32mm (1 1/4")			
DRAWN	E.Emmei	DATE	SCALE	
CHECKED	H.Kawano	DEC.19.2018		
APPROVED	K.Koushou	DRAWING No.		
SPECIAL ORDER No.	T1-AA030DE			
<b>ASAHI YUKIZAI CORPORATION</b>				