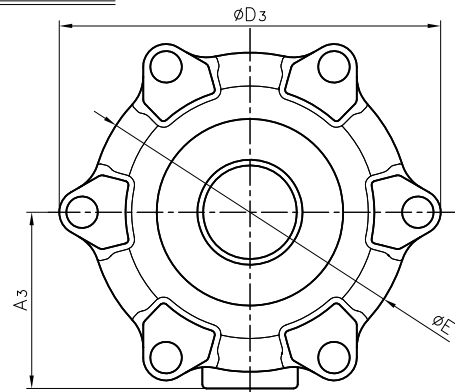


SOCKET END



DIMENSIONS TABLE

Nominal Size	SOCKET END								THREADED END			
	PVC,C-PVC				PP,PVDF (IPS)				d2	l	PVC C-PVC	PP PVDF
	d	d1	d1'	l	L	d1	l	L				
1 1/2" 40mm	1.57	1.912	1.894	1.375	10.47	1.89	1.37	10.28	1 1/2"-11 1/2"NPT	0.98	9.65	9.65
2 50	2.01	2.387	2.369	1.500	11.54	2.36	1.50	11.54	2-11 1/2"NPT	1.10	11.06	10.95

Unit : inch

Nominal Size	D1	D2	D3	E	l1 (LIFT)	H	H1	A3	S	S1	S2	P
	1 1/2" 40mm	3.94	4.25x4.25	7.24	6.06	0.71	9.37	1.08	3.35	1.77	0.35	0.59
2 50	4.17	4.84x4.84	7.24	6.06	0.79	10.00	1.42	3.35	1.77	0.35	0.59	1/4

NOTE.

- Operation of permission pressure : 0.4~0.6MPa G
- Double Acting: Valve open: Port (a) Exhaust Port (b) Supply  
Valve shut: Port (a) Supply Port (b) Exhaust
- The shape and appearance of assembly differ a little with nominal size compared to this drawing.

55	CAP	6	EPDM	Blue
54	CAP FOR HEXAGON SOCKET HEAD CAP SCREWS	6	PVC	
53	INSERTED METAL OF CYLINDER BODY	2	STAINLESS STEEL (SUS304)	
52	NUT (No.52)	1	STAINLESS STEEL (SUS304)	
51	STOPPER FOR PNEUMATIC ACTUATOR	1	STAINLESS STEEL (SUS304)	
50	INSERTED METAL OF CYLINDER COVER	1	STAINLESS STEEL (SUS304)	
47	O-RING (No.47)	1	NBR	
46	O-RING (No.46)	1	NBR	
45	O-RING (No.45)	1	NBR	
44	O-RING (No.44)	1	NBR	
43	O-RING (No.43)	1	NBR	
42	NUT (No.42)	1	STAINLESS STEEL (SUS304)	
41	SPRING WASHER	1	STAINLESS STEEL (SUS304)	
40n	NUT (No.40)	4	STAINLESS STEEL (SUS304)	
40w	WASHER (No.40)	8	STAINLESS STEEL (SUS304)	
40	BOLT (No.40)	4	STAINLESS STEEL (SUS304)	
39n	NUT (No.39)	6	STAINLESS STEEL (SUS304)	
39	BOLT (No.39)	6	STAINLESS STEEL (SUS304)	
38	WASHER (No.38)	2	STAINLESS STEEL (SUS304)	
37	STEM FOR PNEUMATIC ACTUATOR	1	COPPER ALLOY (C3604)	
36	PISTON	1	PPG	
35	CYLINDER COVER	1	PPG	
34	CYLINDER BODY	1	PPG	
31	INDICATOR ROD	1	STAINLESS STEEL (SUS304)	
27	O-RING (No.27)	2	□EPDM □Others ( )	
14	O-RING (No.14)	1	EPDM	
11	GAUGE COVER	1	PC	
7	JOINT	1	STAINLESS STEEL (SUS304)	
6	COMPRESSOR	1	PVDF	
4	CUSHION	1	EPDM	Used for PTFE Diaphragm
3a	INSERTED METAL OF DIAPHRAGM	1	STAINLESS STEEL (SUS304)	
3	DIAPHRAGM	1	□EPDM □PTFE □Others ( )	
26	UNION NUT	2		
25t	END CONNECTOR (THREADED END)	2	□PVC □C-PVC	
25s	END CONNECTOR (SOCKET END)	2	□PP □PVDF	
1	BODY	1		
No.	DESCRIPTION	QTY.	MATERIAL	REMARKS

ITEM	T.U.DIAPHRAGM VALVE PNEUMATIC ACTUATED MODEL TYPE AI ASSY DOUBLE ACTING ANSI : □SOCKET END, □THREADED END 1 1/2" (40mm) · 2" (50mm)		
DRAWN	E.Emmei	DATE	SCALE
CHECKED	H.Kawano	DEC.19.2018	
APPROVED	K.Koushou	DRAWING No. T1-AA031AE	
SPECIAL ORDER No.	ASAHI YUKIZAI CORPORATION		

