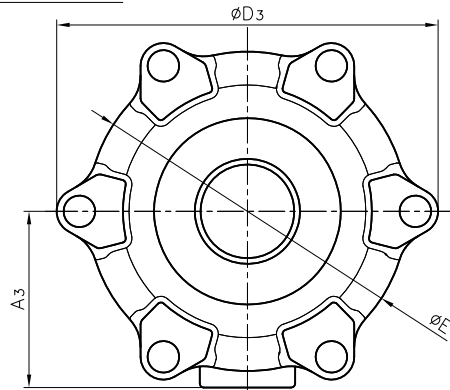


SOCKET END



DIMENSIONS TABLE

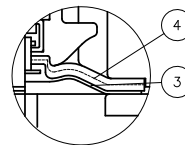
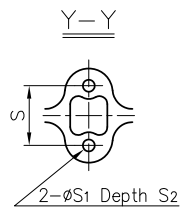
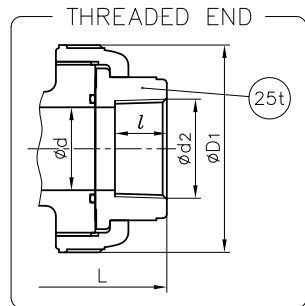
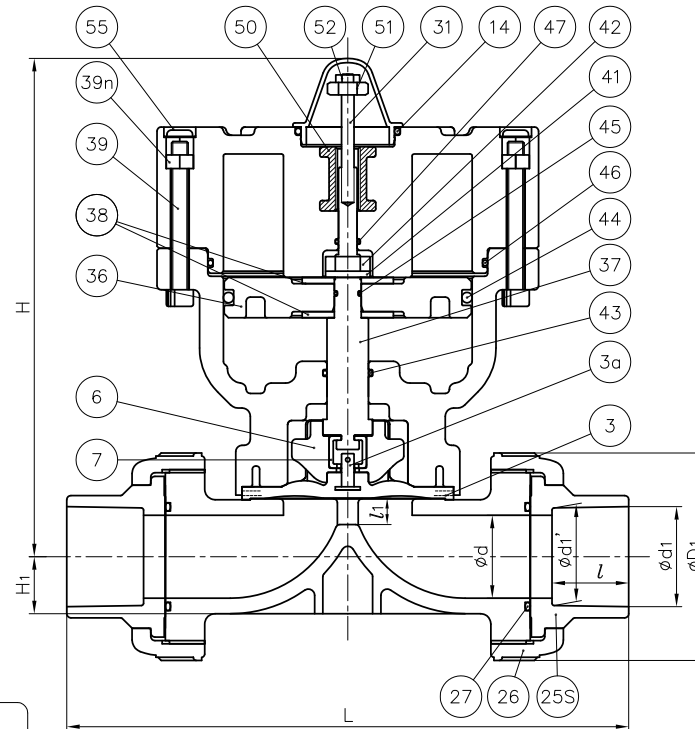
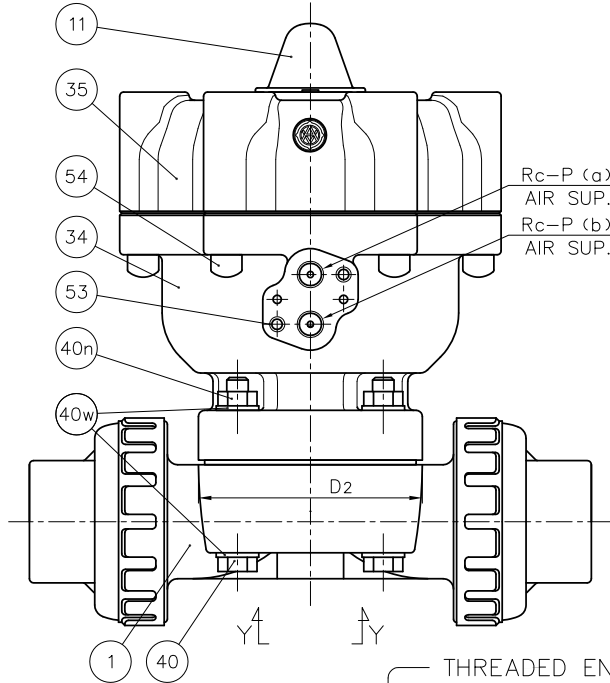
| Nominal Size | SOCKET END |                |                  |       |      |                |       |      |             | THREADED END   |     |     |
|--------------|------------|----------------|------------------|-------|------|----------------|-------|------|-------------|----------------|-----|-----|
|              | PVC,C-PVC  |                |                  |       |      | PP,PVDF(IPS)   |       |      |             | d <sub>2</sub> | l   | L   |
|              | d          | d <sub>1</sub> | d <sub>1</sub> ' | l     | L    | d <sub>1</sub> | l     | L    |             |                |     |     |
| 40mm 1½"     | 40         | 48.56          | 48.11            | 34.93 | 266  | 48.01          | 34.9  | 261  | 1½ - 11½NPT | 25             | 245 | 245 |
| 50           | 2          | 51             | 60.63            | 60.17 | 38.1 | 293            | 59.94 | 38.1 | 2 - 11½NPT  | 28             | 281 | 278 |

Unit : mm

| Nominal Size | D <sub>1</sub> | D <sub>2</sub> | D <sub>3</sub> | E   | l <sub>1</sub> (LIFT) | H   | H <sub>1</sub> | A <sub>3</sub> | S  | S <sub>1</sub> | S <sub>2</sub> | P  |   |
|--------------|----------------|----------------|----------------|-----|-----------------------|-----|----------------|----------------|----|----------------|----------------|----|---|
|              |                |                |                |     |                       |     |                |                |    |                |                |    |   |
| 40mm 1½"     | 100            | 108x108        | 184            | 154 | 18                    | 238 | 27.5           | 85             | 45 | 9              | 15             | ¼  |   |
| 50           | 2              | 106            | 123x123        | 184 | 154                   | 20  | 254            | 36             | 85 | 45             | 9              | 15 | ¼ |

NOTE.

- Operation of permission pressure : 0.4~0.6MPa G
- Double Acting: Valve open: Port (a) Exhaust  
Port (b) Supply  
Valve shut: Port (a) Supply  
Port (b) Exhaust
- The shape and appearance of assembly differ a little with nominal size compared to this drawing.



In case Material of Diaphragm is PTFE

| 55  | CAP                                    | 6    | EPDM                          | Blue                    |
|-----|--|------|-------------------------------|-------------------------|
| 54  | CAP FOR HEXAGON SOCKET HEAD CAP SCREWS | 6    | PVC                           |                         |
| 53  | INSERTED METAL OF CYLINDER BODY        | 2    | STAINLESS STEEL (SUS303)      |                         |
| 52  | NUT (No.52)                            | 1    | STAINLESS STEEL (SUS304)      |                         |
| 51  | STOPPER FOR PNEUMATIC ACTUATOR         | 1    | STAINLESS STEEL (SUS304)      |                         |
| 50  | INSERTED METAL OF CYLINDER COVER       | 1    | STAINLESS STEEL (SUS304)      |                         |
| 47  | O-RING (No.47)                         | 1    | NBR                           |                         |
| 46  | O-RING (No.46)                         | 1    | NBR                           |                         |
| 45  | O-RING (No.45)                         | 1    | NBR                           |                         |
| 44  | O-RING (No.44)                         | 1    | NBR                           |                         |
| 43  | O-RING (No.43)                         | 1    | NBR                           |                         |
| 42  | NUT (No.42)                            | 1    | STAINLESS STEEL (SUS304)      |                         |
| 41  | SPRING WASHER                          | 1    | STAINLESS STEEL (SUS304)      |                         |
| 40n | NUT (No.40)                            | 4    | STAINLESS STEEL (SUS304)      |                         |
| 40w | WASHER (No.40)                         | 8    | STAINLESS STEEL (SUS304)      |                         |
| 40  | BOLT (No.40)                           | 4    | STAINLESS STEEL (SUS304)      |                         |
| 39n | NUT (No.39)                            | 6    | STAINLESS STEEL (SUS304)      |                         |
| 39  | BOLT (No.39)                           | 6    | STAINLESS STEEL (SUS304)      |                         |
| 38  | WASHER (No.38)                         | 2    | STAINLESS STEEL (SUS304)      |                         |
| 37  | STEM FOR PNEUMATIC ACTUATOR            | 1    | COPPER ALLOY (C3604)          |                         |
| 36  | PISTON                                 | 1    | PPG                           |                         |
| 35  | CYLINDER COVER                         | 1    | PPG                           |                         |
| 34  | CYLINDER BODY                          | 1    | PPG                           |                         |
| 31  | INDICATOR ROD                          | 1    | STAINLESS STEEL (SUS304)      |                         |
| 27  | O-RING (No.27)                         | 2    | □EPDM<br>□Others ( )          |                         |
| 14  | O-RING (No.14)                         | 1    | EPDM                          |                         |
| 11  | GAUGE COVER                            | 1    | PC                            |                         |
| 7   | JOINT                                  | 1    | STAINLESS STEEL (SUS304)      |                         |
| 6   | COMPRESSOR                             | 1    | PVDF                          |                         |
| 4   | CUSHION                                | 1    | EPDM                          | Used for PTFE Diaphragm |
| 3a  | INSERTED METAL OF DIAPHRAGM            | 1    | STAINLESS STEEL (SUS304)      |                         |
| 3   | DIAPHRAGM                              | 1    | □EPDM<br>□PTFE<br>□Others ( ) |                         |
| 26  | UNION NUT                              | 2    |                               |                         |
| 25t | END CONNECTOR (THREADED END)           | 2    | □PVC<br>□C-PVC                |                         |
| 25s | END CONNECTOR (SOCKET END)             | 2    | □PP<br>□PVDF                  |                         |
| 1   | BODY                                   | 1    |                               |                         |
| No. | DESCRIPTION                            | QTY. | MATERIAL                      | REMARKS                 |

|                   |   |                            |       |
|-------------------|---|----------------------------|-------|
| ITEM              | T.U.DIAPHRAGM VALVE PNEUMATIC ACTUATED MODEL TYPE AI ASS'Y DOUBLE ACTING<br>ANSI : □SOCKET END, □THREADED END<br>40mm (1½") · 50mm (2") |                            |       |
| DRAWN             | M.Iwakiri   | DATE                       | SCALE |
| CHECKED           | H.Kawano  | MAY.21.2019                |       |
| APPROVED          | K.Koushou   | DRAWING No.<br>T1-AA031AEm |       |
| SPECIAL ORDER No. | ASAHI YUKIZAI CORPORATION   |                            |       |