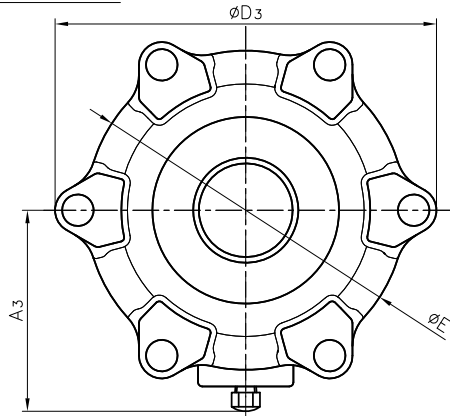


SOCKET END



DIMENSIONS TABLE

Nominal Size	d	SOCKET END								THREADED END			
		PVC,C-PVC				PP				d2	l	L	
		d1	l	1/4	L	d1	d1'	l	L			PVC C-PVC	PP PVDF
40mm 1½"	40	48.21	37	1/37	271	47.0	46.0	28	253	Rc 1½"	25	245	245
50	51	60.25	42	1/37	303	59.0	58.0	28	275	Rc 2"	28	281	278

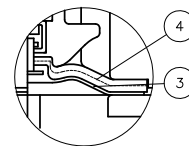
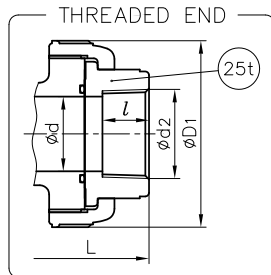
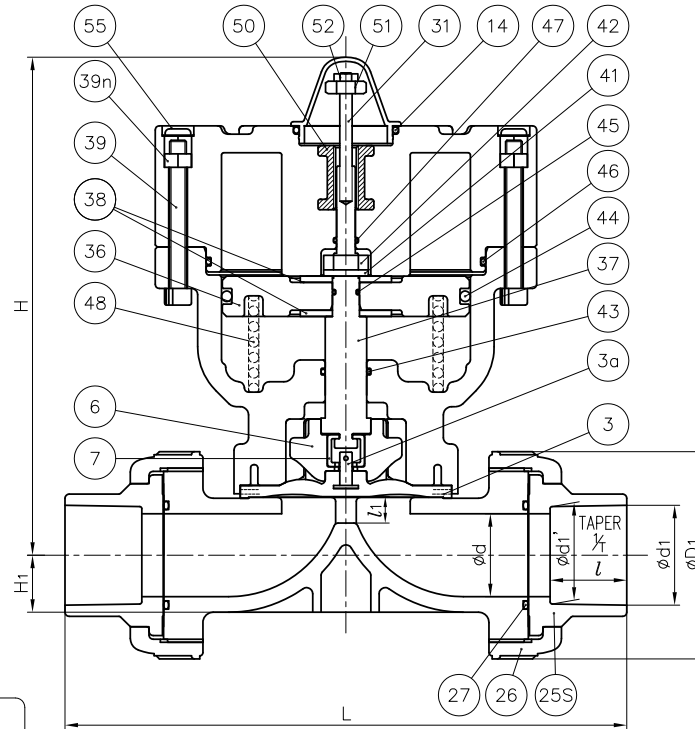
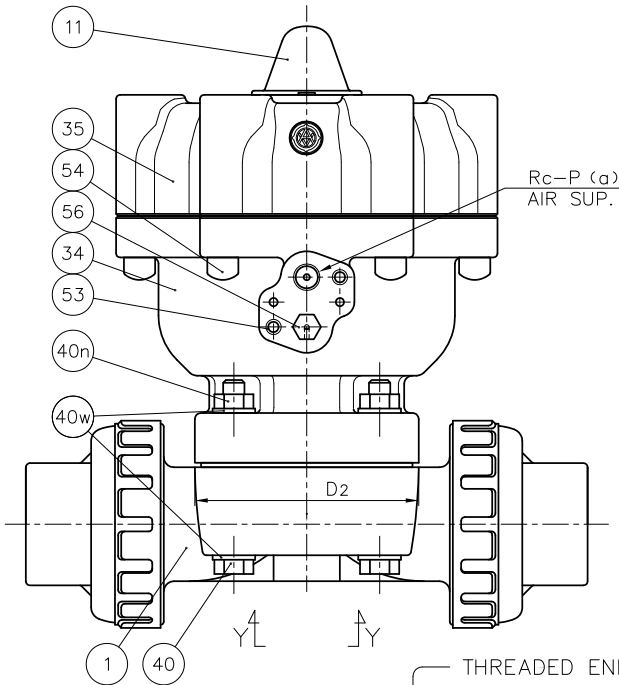
Unit : mm

Nominal Size	D1	D2	D3	E	l1 (LIFT)	H	H1	A3	S	S1	S2	P
40mm 1½"	100	108x108	184	154	18	238	27.5	97	45	9	15	1/4
50	106	123x123	184	154	20	254	36	97	45	9	15	1/4

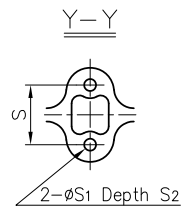
NOTE.

1. Operation of permission pressure : 0.4~0.6MPa G
2. Air To Shut : Valve open : Port (a) Exhaust
Valve shut : Port (a) Supply
3. The shape and appearance of assembly differ a little with nominal size compared to this drawing.

56	NIPPLE	1	COPPER ALLOY (C3604)	
55	CAP	6	EPDM	Blue
54	CAP FOR HEXAGON SOCKET HEAD CAP SCREWS	6	PVC	
53	INSERTED METAL OF CYLINDER BODY	2	STAINLESS STEEL (SUS304)	
52	NUT (No.52)	1	STAINLESS STEEL (SUS304)	
51	STOPPER FOR PNEUMATIC ACTUATOR	1	STAINLESS STEEL (SUS304)	
50	INSERTED METAL OF CYLINDER COVER	1	STAINLESS STEEL (SUS304)	
48	SPRING	1	SWOSM-B	
47	O-RING (No.47)	1	NBR	
46	O-RING (No.46)	1	NBR	
45	O-RING (No.45)	1	NBR	
44	O-RING (No.44)	1	NBR	
43	O-RING (No.43)	1	NBR	
42	NUT (No.42)	1	STAINLESS STEEL (SUS304)	
41	SPRING WASHER	1	STAINLESS STEEL (SUS304)	
40n	NUT (No.40)	4	STAINLESS STEEL (SUS304)	
40w	WASHER (No.40)	8	STAINLESS STEEL (SUS304)	
40	BOLT (No.40)	4	STAINLESS STEEL (SUS304)	
39n	NUT (No.39)	6	STAINLESS STEEL (SUS304)	
39	BOLT (No.39)	6	STAINLESS STEEL (SUS304)	
38	WASHER (No.38)	2	STAINLESS STEEL (SUS304)	
37	STEM FOR PNEUMATIC ACTUATOR	1	COPPER ALLOY (C3604)	
36	PISTON	1	PPG	
35	CYLINDER COVER	1	PPG	
34	CYLINDER BODY	1	PPG	
31	INDICATOR ROD	1	STAINLESS STEEL (SUS304)	
27	O-RING (No.27)	2	□EPDM □Others ()	
14	O-RING (No.14)	1	EPDM	
11	GAUGE COVER	1	PC	
7	JOINT	1	STAINLESS STEEL (SUS304)	
6	COMPRESSOR	1	PVDF	
4	CUSHION	1	EPDM	used for PTFE diaphragm
3a	INSERTED METAL OF DIAPHRAGM	1	STAINLESS STEEL (SUS304)	
3	DIAPHRAGM	1	□EPDM □PTFE □Others ()	
26	UNION NUT	2		
25t	END CONNECTOR (THREADED END)	2	□PVC □C-PVC	
25s	END CONNECTOR (SOCKET END)	2	□PP □PVDF	
1	BODY	1		
No.	DESCRIPTION	QTY.	MATERIAL	REMARKS



In case Material of Diaphragm is PTFE



ITEM	T.U. DIAPHRAGM VALVE PNEUMATIC ACTUATED MODEL TYPE AI ASS'Y AIR TO SHUT JIS : □SOCKET END, □THREADED END 40mm (1½") · 50mm (2")		
DRAWN	E.Emmei	DATE	SCALE
CHECKED	H.Kawano	DEC.19.2018	
APPROVED	K.Koushou	DRAWING No. T1-AA033JE	
SPECIAL ORDER No.	ASAHI YUKIZAI CORPORATION		