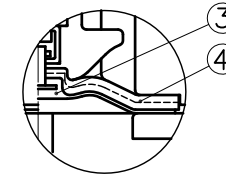
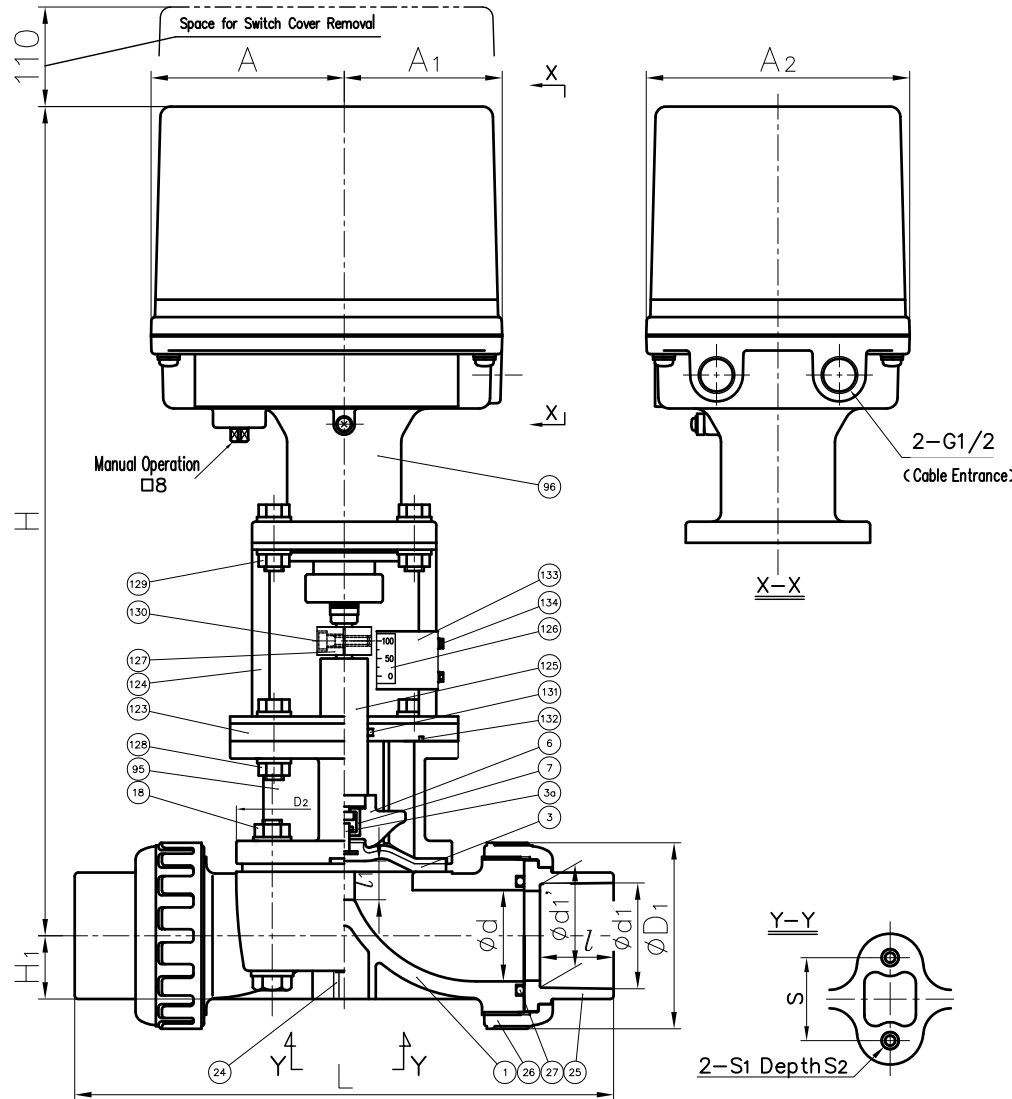


DIMENSIONS TABLE

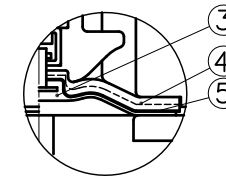
UNIT : mm

NOMINAL SIZE	d	SOCKET END						THREADED END														ACTUATOR MODEL		
		PVC,C-PVC			PP,PVDF(IPS)			d2	l	PVC C-PVC	PP PVDF	D1	D2	l1 (LIFT)	H	H1	A	A1	A2	S	S1		S2	
		ASTM SCH80	d1	d1'	l	L	d1																	l
15mm 1/2"	16	21.54	21.23	21.23	139	21.08	22.2	138	1/2 - 14 NPT	15	128	128	48	54x66	10	406	19.5	101	81	140	25	M5	10	PSN-1
20 3/4"	20	26.87	26.57	25.40	157	26.16	25.4	155	3/4 - 14 NPT	17	148	148	60	54x66	10	408	17.5	101	81	140	25	M5	10	PSN-1
25 1"	25	33.66	33.27	28.58	186	33.02	28.6	184	1 - 11/2 NPT	20	172	172	70	67x80	12	413	18.5	101	81	140	25	M5	10	PSN-1
32 1 1/4"	32	42.42	42.04	31.75	202	41.91	31.75	198	1 1/4 - 11/2 NPT	22	188	188	82	67x80	12	416	22.5	101	81	140	25	M5	10	PSN-1
40 1 1/2"	40	48.56	48.11	34.93	266	48.01	34.90	261	1 1/2 - 11/2 NPT	25	245	245	100	110x110	21	464	27.5	110	90	150	45	M6	14	PSN-3
50 2"	52	60.63	60.17	38.10	293	59.94	38.1	293	2 - 11/2 NPT	28	281	278	106	128x128	25	473	36.0	110	90	150	45	M6	14	PSN-3

SOCKET END

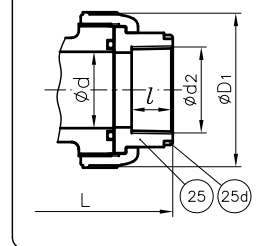


In case material of diaphragm is PTFE



In case material of diaphragm is PTFE with cushion cover

THREADED END



NOTE.

- Diaphragms except EPDM and PTFE are available in FKM, VIFLON[®] C (FKM-C), VIFLON[®] F (FKM-F), CSM and NBR when required.
- The shape and appearance of assembly differ a little with nominal size compared to this drawing.

No.	DESCRIPTION	QTY.	MATERIAL	REMARKS
25d	RING	2	STAINLESS STEEL (SUS304)	Used for C-PVC Body, Threaded End :15-22"
134	SCREW (F)	2	STAINLESS STEEL (SUS304)	
133	INDICATOR PLATE	1	STAINLESS STEEL (SUS304)	
132	O-RING (K)	1	NBR	
131	O-RING (J)	1	NBR	
130	BOLT (F)	2	STAINLESS STEEL (SUS304)	
129	BOLTO · NUT (F)	4Sets	STAINLESS STEEL (SUS304)	
128	BOLTO · NUT (E)	4Sets	STAINLESS STEEL (SUS304)	
127	JOINT	1	COPPER ALLOY (C3604)	
126	INDICATOR SEAL	1	ACRYL	
125	STEM (D)	1	COPPER ALLOY (C3604)	
124	STAND (A)	1	STAINLESS STEEL (SUS304)	
123	SPACER (A)	1	PVC	
96	ACTUATOR	1	ALUMINIUM etc.	Acryl Coat
95	BONNET	1	CAST ALUMINIUM ALLOY (AC4A)	Epoxy Coat
27	O-RING (C)	2	□EPDM □Others ()	
24	ENSAT FOR BODY	2	COPPER ALLOY (Equal to C3603)	
18	BOLT · NUT (A)	4Sets	STAINLESS STEEL (SUS304)	
7	JOINT	1	STAINLESS STEEL (SUS304)	
6	COMPRESSOR	1	PVDF	
5	CUSHION COVER	1	□Noting □PVDF	Used for PTFE Diaphragm
4	CUSHION	1	EPDM	
3a	INSERTED METAL OF DIAPHRAGM	1	STAINLESS STEEL (SUS304)	
3	DIAPHRAGM	1	□EPDM □PTFE □Others ()	
26	UNION NUT	2	□PVC □C-PVC □PP □PVDF	
25	END CONNECTOR	1		
1	BODY	1		

ITEM	T.U.DIAPHRAGM VALVE (TYPE14) ELECTRIC MODEL TYPE M ASS'Y ANSI : □SOCKET END, □THREADED END 15mm (1/2") ~ 50mm (2") with E-P POSITIONER		
DRAWN	M.Iwakiri	DATE	SCALE
CHECKED	H.Kawano	AUG.20.2019	~
APPROVED	K.Koushou	DRAWING No.	
		T1-AE002AEm	
SPECIAL ORDER No.	ASAHI YUKIZAI CORPORATION		