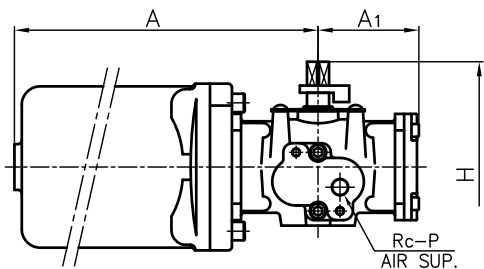


Appearance of TA2A-0402R



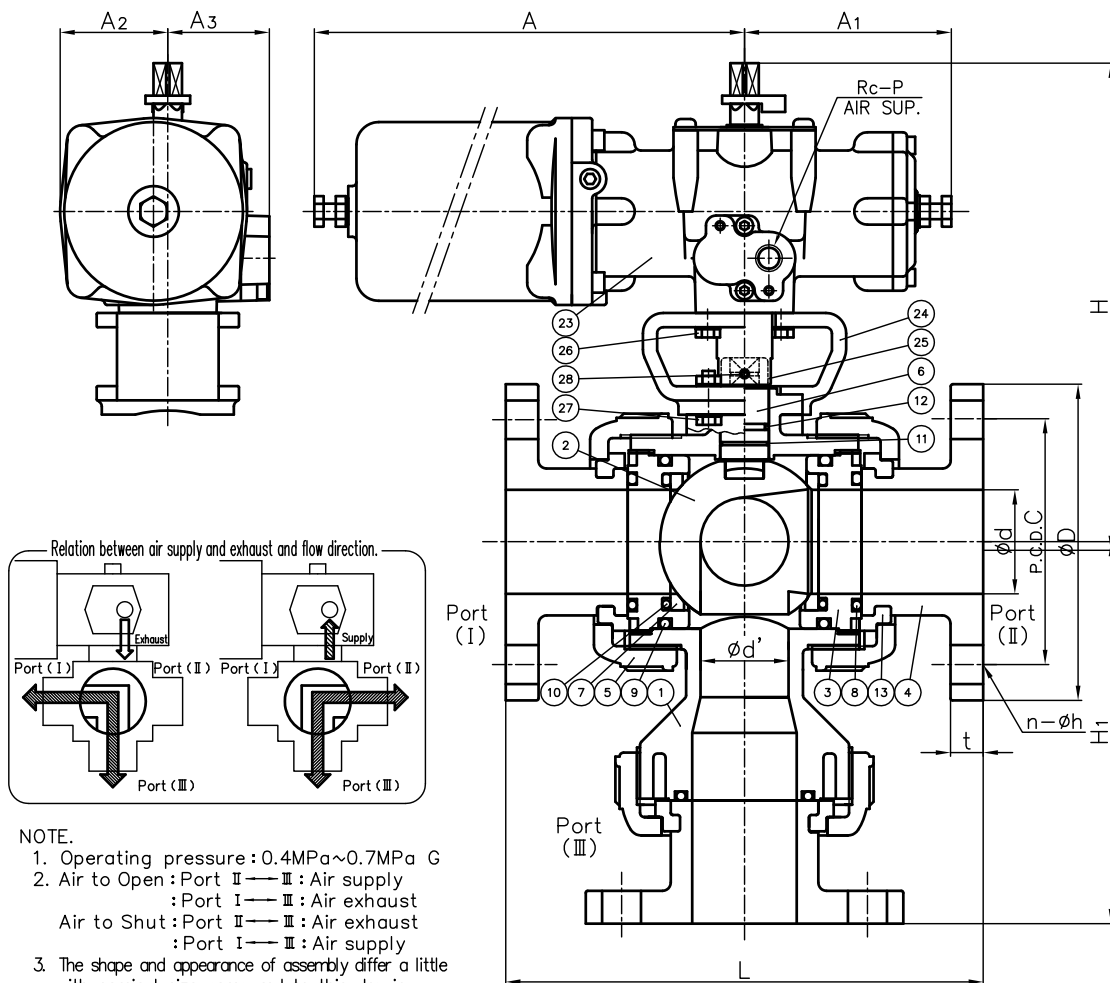
DIMENSIONS TABLE

Nominal Size	FLANGED END							SOCKET END					THREADED END							
	DIN PN10							PVC,C-PVC		PP,PVDF										
	D	C	n	h	L	t	H1	d1	ℓ	L	H1	d1	d1'	ℓ	L	H1	rp	ℓ	L	H1
15mm 1/2"	95	65	4	14	130	12	88	20	16	102	72	19.5	19.3	14.5	99	71	Rp 1/2	15	102	74
20 3/4	105	75	4	14	150	14	104	25	19	120	85	24.5	24.3	16	114	83	Rp 3/4	17	120	89
25 1	115	85	4	14	160	14	120	32	22	131	104	31.5	31.3	18	123	100	Rp 1	20	131	105
32 1 1/4	140	100	4	18	212	16	165	40	26	173	147	39.45	39.2	20.5	148	131	Rp 1 1/4	22	163	141
40 1 1/2	150	110	4	18	200	16	159	50	31	163	142	49.45	49.2	23.5	148	131	Rp 1 1/2	25	163	141
50 2	165	125	4	18	230	16	185	63	38	197	170	62.5	62.1	27.5	176	154	Rp 2	28	197	168
65 2 1/2	185	145	4	18	304	18	256	75	44	282	245	74.25	73.95	31	256	227	Rp 2 1/2	32	264	235
80 3	200	160	8	18	310	21	259	90	51	282	245	89.2	88.85	35.5	251	224	Rp 3	35	264	235
100 4	220	180	8	18	350	18	305	110	61	349	305	109.05	108.65	41.5	310	279	Rp 4	45	338	299

Unit : mm

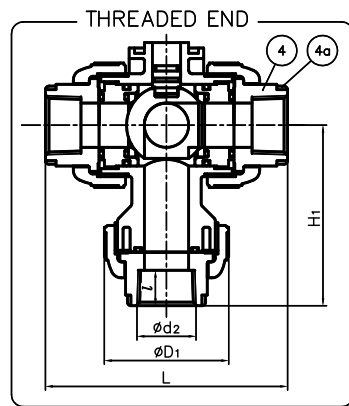
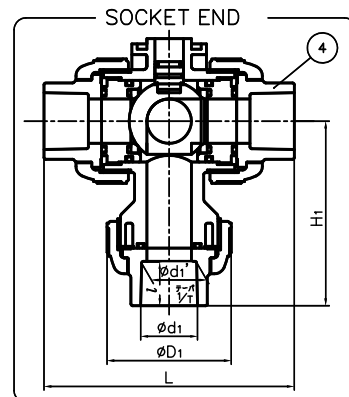
Nominal Size	d	d'	D1	H	A	A1	A2	A3	P	Actuator Type
15mm 1/2"	15	15	48	159.5	194	55	46	46	1/4	TA2A-0402R
20 3/4	20	20	60	166	194	55	46	46	1/4	TA2A-0402R
25 1	25	25	70	173	194	55	46	46	1/4	TA2A-0402R
32 1 1/4	40	32	100	224	240	105	53	50	1/4	TA2A-050R
40 1 1/2	40	32	100	224	240	105	53	50	1/4	TA2A-050R
50 2	51	43	126	235.5	240	105	53	50	1/4	TA2A-050R
65 2 1/2	78	58	152	277	288	125	67	52	1/4	TA2A-063R
80 3	78	58	152	277	288	125	67	52	1/4	TA2A-063R
100 4	100	78	210	348	341	146	82.5	59	1/4	TA2A-080R

FLANGED END



NOTE.

- Operating pressure: 0.4MPa~0.7MPa G
- Air to Open: Port II → III: Air supply
: Port I → III: Air exhaust
Air to Shut: Port II → III: Air exhaust
: Port I → III: Air supply
- The shape and appearance of assembly differ a little with nominal size compared to this drawing.



4a	RING	3	STAINLESS STEEL (SUS304)	Used for C-PVC Body, Threaded End: 15-25mm
28	SCREW (B)	2	STAINLESS STEEL	SUS304
27	BOLT&NUT (B)	4sets	STAINLESS STEEL	SUS304
26	BOLT (A)	4	STAINLESS STEEL	SUS304
25	JOINT	1	COPPER ALLOY	C3604
24	STAND	1	PPG	
23	ACTUATOR	1	ALUMINUM ALLOYS DIE CASTINGS (ADC12) etc.	Meramin Baking Coat.
13	STOP RING	3	PVDF	Used for Flanged End
12	O-RING (E)	1		
11	O-RING (D)	1		
10	CUSHION	2	□EPDM □FKM	Used for Size 65-100mm
9	O-RING (C)	2	□Others	Used for Size 15-50mm
8	O-RING (A)	3		
7	SEAT	2	PTFE	
6	STEM	1		
5	UNION NUT	3		
4	END CONNECTOR	3	□PVC □C-PVC	
3	CARRIER	2	□PP □PVDF	
2	BALL	1		
1	BODY	1		

No.	DESCRIPTION	QTY.	MATERIAL	REMARKS
ITEM	3-WAY BALL VALVE (TYPE 23) PNEUMATIC MODEL TA TYPE ASS'Y □AIR TO OPEN, □AIR TO SHUT: DOUBLE L-PORT TYPE DIN: □FLANGED END, □SOCKET END, □THREADED END 15mm (1/2") ~100mm (4")			
DRAWN	K.Sakiyama	DATE	JAN.16.2018	SCALE
CHECKED	H.Kawano	DRAWING No.		
APPROVED	H.Kourogi	T3-AA027DE		
SPECIAL ORDER No.				