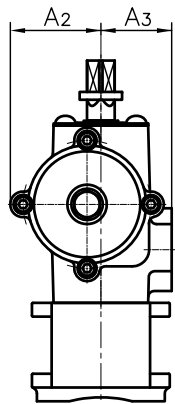


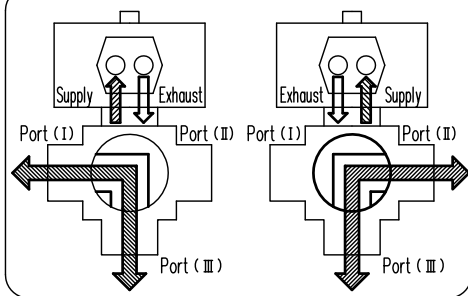
DIMENSIONS TABLE

NOMINAL SIZE	d	d'	UNIT : mm																																		
			FLANGED END									SOCKET END (IPS)										THREADED END									D ₁	H	A	A ₂	A ₃	P	ACTUATOR MODEL
			ANSI Class 150				PVC, C-PVC					PP, PVDF																									
			D	C	n	h	L	t	H ₁	ASTM SCH40	ASTM SCH80	L	H ₁	d ₁	ℓ	L	H ₁	d ₁	ℓ	L	H ₁	d ₂	ℓ	L	H ₁												
15mm	½"	15	15	89	60.5	4	16	143	12	94	-	-	-	-	21.54	21.23	22.22	113	78	20.96	22.2	113	79	½ - 14 NPT	15	102	74	48	159.5	110							
20	¾"	20	20	98	70.0	4	16	172	14	115	-	-	-	-	26.87	26.57	25.40	129	90	26.16	25.4	129	92	¾ - 14 NPT	17	120	89	60	166.0	110	25	32	⅛	TA2A-0402D			
25	1"	25	25	108	79.5	4	16	187	14	133	-	-	-	-	33.65	33.27	28.58	146	110	33.02	28.6	146	111	1 - 1½ NPT	20	131	105	70	173.0	110	25	32	⅛	TA2A-0402D			
32	1¼"	40	32	117	89.0	4	16	212	16	165	-	-	-	-	42.42	42.04	31.75	174	140	41.91	31.8	179	147	1¼ - 1½ NPT	22	163	141	100	224.0	210	46	36	¼	TA2A-050D			
40	1½"	40	32	127	98.5	4	16	212	16	165	-	-	-	-	48.56	48.11	34.93	184	145	48.01	34.9	184	149	½ - 1½ NPT	25	163	141	100	224.0	210	46	36	¼	TA2A-050D			
50	2"	51	43	152	120.5	4	19	234	16	187	-	-	-	-	60.63	60.17	38.10	209	169	59.94	38.1	209	172	2 - 1½ NPT	28	197	168	126	235.5	210	46	36	¼	TA2A-050D			
65	2½"	78	58	178	139.5	4	19	304	18	256	-	-	-	-	73.381	72.847	44.50	285	246	73.125	44.5	285	246	2½ - 8 NPT	32	264	235	152	277.0	250	57	38	¼	TA2A-063D			
80	3"	78	58	191	152.5	4	19	304	18	256	-	-	-	-	89.306	88.697	47.60	282	244	88.392	47.6	282	244	3 - 8 NPT	35	264	235	152	277.0	250	57	38	¼	TA2A-063D			
100	4"	100	78	229	190.5	8	19	372	18	305	114.757	114.071	50.8	353	-	-	-	-	294	113.792	57.2	365	365	4 - 8 NPT	45	360	299	210	348.0	292	71	45	¼	TA2A-080D			

FLANGED END

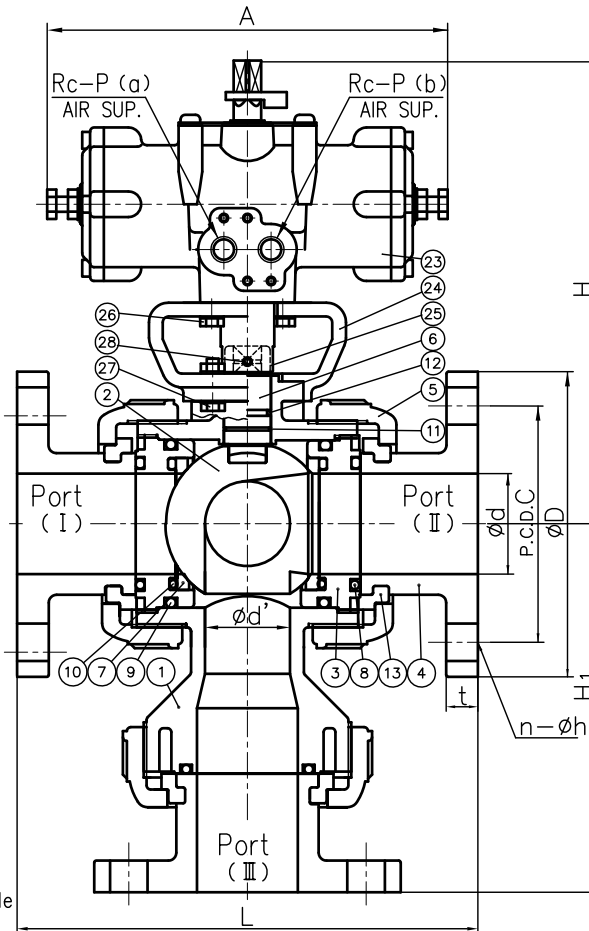


Relation between air supply and exhaust and flow direction.

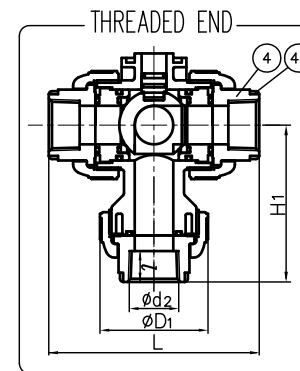
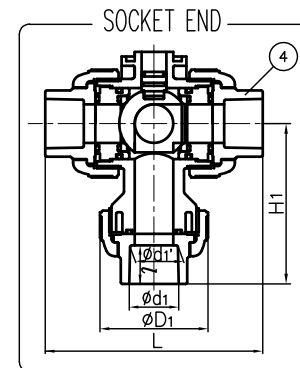
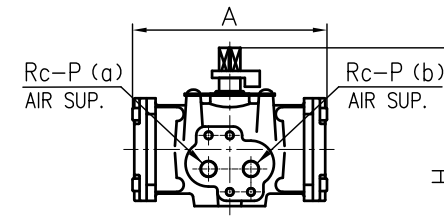


NOTE.

- Operating pressure : 0.4MPa~0.7MPa G
- Port I ↔ II : Port (a) supply, Port (b) exhaust
Port II ↔ III : Port (a) exhaust, Port (b) supply
- The shape and appearance of assembly differ a little with nominal size compared to this drawing.



Appearance of TA2A-0402D



No.	DESCRIPTION	No.REQ'D	MATERIAL	REMARKS
4a	RING	3	STAINLESS STEEL (SUS304)	Used for C-PVC End Connector. Threaded End : 15~25mm
28	SCREW (B)	2	STAINLESS STEEL (SUS304)	
27	BOLT · NUT (B)	4sets	STAINLESS STEEL (SUS304)	
26	BOLT (A)	4	STAINLESS STEEL (SUS304)	
25	JOINT	1	COPPER ALLOY (C3604)	
24	STAND	1	PPG	
23	ACTUATOR	1	ALUMINUM ALLOYS THE CASTINGS (ADC12) etc.	Meramin Baking Coat.
13	STOP RING	3	PVDF	Used for Flanged End
12	O-RING (E)	1		
11	O-RING (D)	1	<input type="checkbox"/> EPDM	
10	CUSHION	2	<input type="checkbox"/> FKM	Used for Size : 65~100mm
9	O-RING (B)	2	<input type="checkbox"/> others	Used for Size : 15~50mm
8	O-RING (A)	3	()	
7	SEAT	2	PTFE	
6	STEM	1		
5	UNION NUT	3	<input type="checkbox"/> PVC	
4	END CONNECTOR	3	<input type="checkbox"/> C-PVC	
3	CARRIER	2	<input type="checkbox"/> PP	
2	BALL	1	<input type="checkbox"/> PVDF	
1	BODY	1		

ITEM	3-WAY BALL VALVE (TYPE23) PNEUMATIC MODEL TA TYPE ASSY DOUBLE ACTING : DOUBLE L-PORT TYPE ANIS: <input type="checkbox"/> FLANGED END, <input type="checkbox"/> SOCKET END, <input type="checkbox"/> THREADED END 15mm (½") ~ 100mm (4")		
DRAWN	K.Sakiyama	DATE	SCALE
CHECKED	H.Kawano	JAN.16.2018	~
APPROVED	H.Kourogi	DRAWING No. T3-AA028AEm	
SPECIAL ORDER No.	ASAHI YUKIZAI CORPORATION		