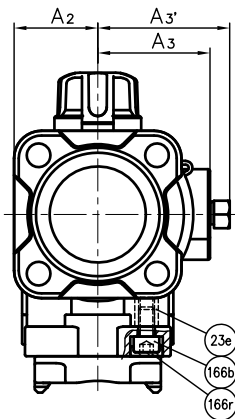


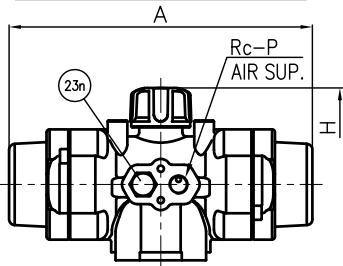
DIMENSIONS TABLE

Nominal Size	d	d'	FLANGE END										SOCKET END								THREADED END				ACTUATOR TYPE						
			ANSI Class 150					PVC, C-PVC					PP,PVDF																		
			D	C	n	h	L	t	H ₁	ASTM SCH80						d ₂	l	L	H ₁	D ₁	H	A	A ₂	A ₃		A ₃ '	P				
			d ₁	d ₁ '	l	L	H ₁	d ₁	l	L	H ₁	d ₁	l	L	H ₁																
15mm	1/2"	15	15	89	60.5	4	16	143	12	94	21.54	21.23	22.22	113	78	20.96	22.2	113	79	1/2 - 14 NPT	15	102	74	48	131	154	28	38	46	1/8	AR040NC20CN
20	3/4"	20	20	98	70.0	4	16	172	14	115	26.87	26.57	25.40	129	90	26.16	25.4	129	92	3/4 - 14 NPT	17	120	89	60	137.5	154	28	38	46	1/8	AR040NC20CN
25	1	25	25	108	79.5	4	16	187	14	133	33.65	33.27	28.58	146	110	33.02	28.6	146	111	1 - 1 1/2 NPT	20	131	105	70	169	194	35	49	59	1/4	AR050NC30CN
32	1 1/4	40	32	117	89.0	4	16	212	16	165	42.42	42.04	31.75	174	140	41.91	31.8	179	147	1 1/4 - 1 1/2 NPT	22	163	141	100	208.5	254	42.5	57	67	1/4	AR063NC40CN
40	1 1/2	40	32	127	98.5	4	16	212	16	165	48.56	48.11	34.93	184	145	48.01	34.9	184	149	1 1/2 - 1 1/2 NPT	25	163	141	100	208.5	254	42.5	57	67	1/4	AR063NC40CN
50	2	51	43	152	120.5	4	19	234	16	187	60.63	60.17	38.10	209	169	59.94	38.1	209	172	2 - 1 1/2 NPT	28	197	168	126	220	254	42.5	57	67	1/4	AR063NC40CN

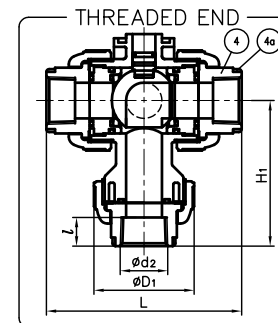
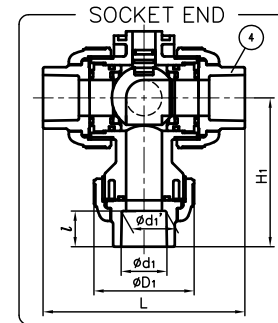
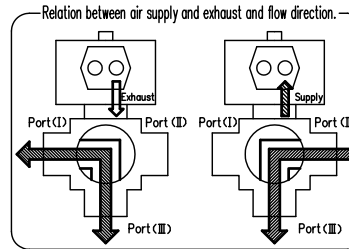
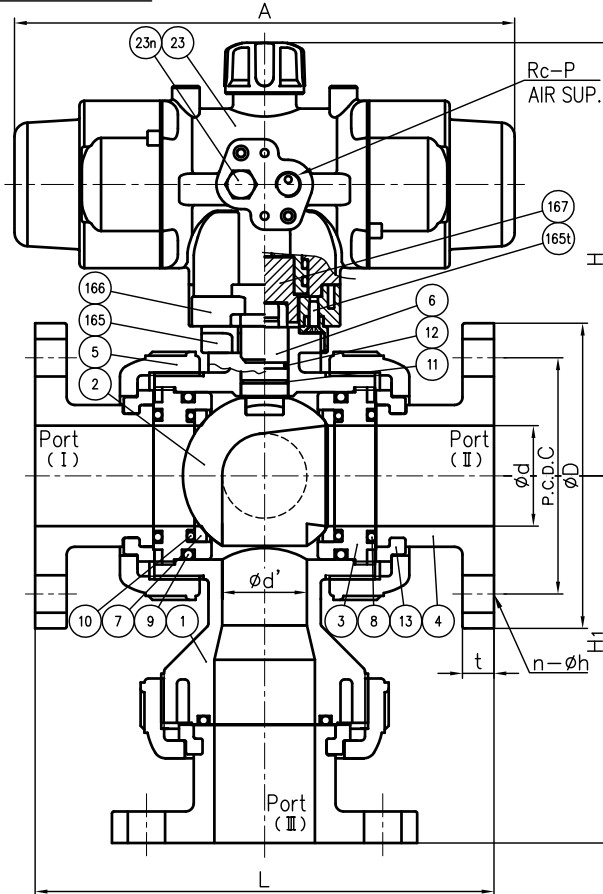
Unit: mm



Actuator Shape (AR040)



FLANGE END



NOTE.

1. Operating Pressure: 0.4~0.7MPa G
2. Port I ↔ II: Exhaust
Port II ↔ III: Supply
3. The shape and appearance of assembly differ a little with nominal size compared to this drawing.

4a	RING	3	STAINLESS STEEL (SUS304)	Used for C-PVC Body, Threaded End: 15~25mm
167	SHAFT ADAPTER	1	COPPER ALLOY (C3604)	
166r	CAP (No.166)	4	EPDM	
166b	BOLT (No.166)	4	STAINLESS STEEL (SUS304)	
166	CONNECTOR PLATE	1	PPG	
165t	TAPPING SCREW (No.165)	2	STAINLESS STEEL (SUS304)	
165	BASE PLATE	1	PPG	
23n	NIPPLE (No.23)	1	PPG	
23e	ENSAT (No.23)	4	COPPER ALLOY (C3604)	
23	ACTUATOR	1	PPG etc.	
13	STOP RING	3	PVDF	Used for Flanged End
12	O-RING (E)	1		
11	O-RING (D)	1	□EPDM	
10	O-RING (C)	2	□FKM	
9	O-RING (B)	2	□Others	()
8	O-RING (A)	3		
7	SEAT	2	PTFE	
6	STEM	1		
5	UNION NUT	3	□PVC	
4	END CONNECTOR	3	□C-PVC	
3	CARRIER	2	□PP	
2	BALL	1	□PVDF	
1	BODY	1		
No.	DESCRIPTION	QTY.	MATERIAL	REMARKS

ITEM	3-WAY BALL VALVE (TYPE 23) PNEUMATIC MODEL AIR TYPE ASSY AIR TO OPEN: DOUBLE L-PORT TYPE ANSI: □ FLANGED END, □ SOCKET END, □ THREADED END 15mm (1/2") ~ 50mm (2")			
DRAWN	E.Emmei	DATE	SCALE	
CHECKED	H.Kawano	JUN.26.2019	DRAWING No.	
APPROVED	K.Koushou	T3-AA056AE	△	
SPECIAL ORDER No.	ASAHI YUKIZAI CORPORATION			