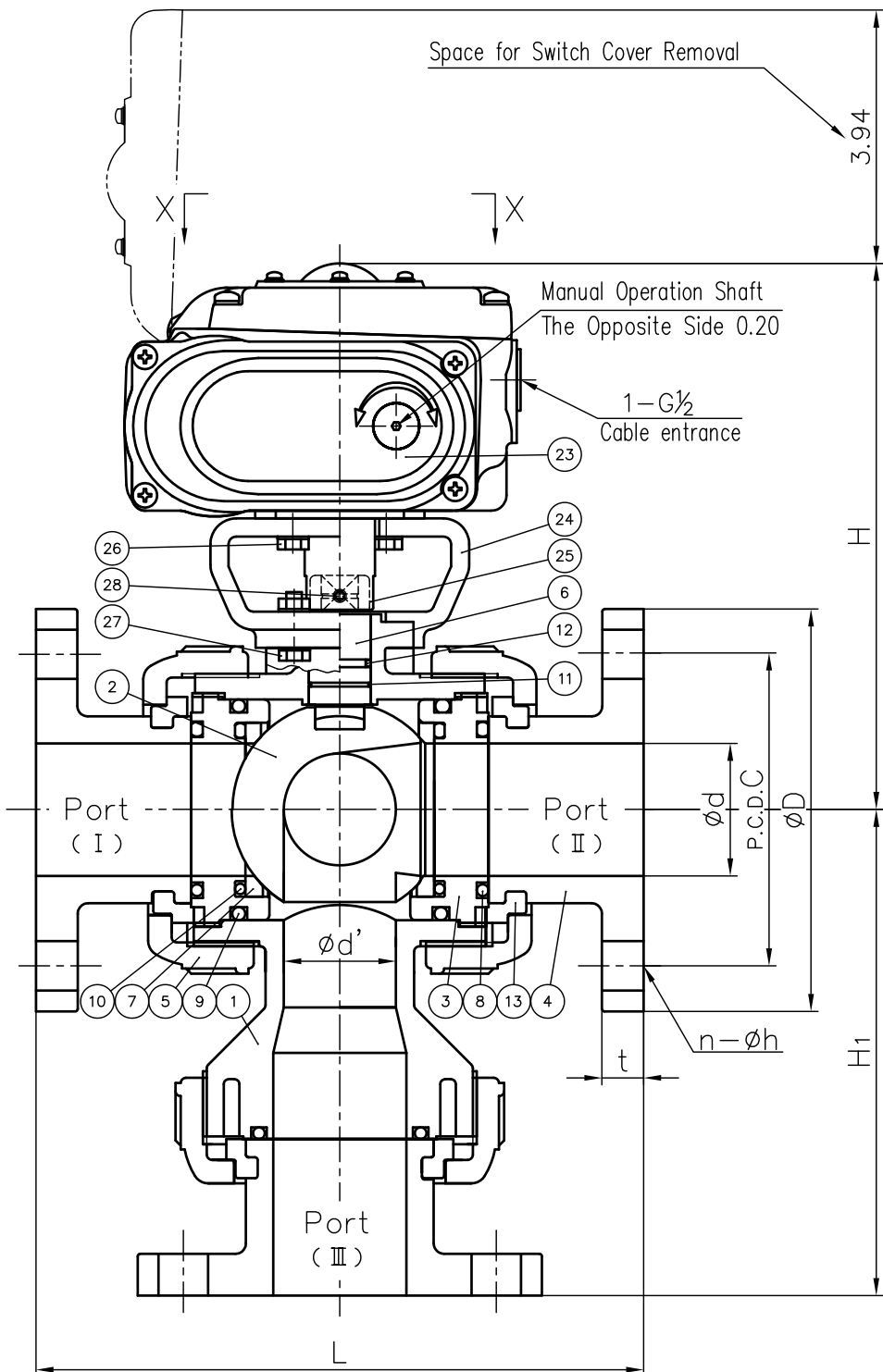


DIMENSIONS TABLE

NOMINAL SIZE	FLANGED END										SOCKET END (IPS)												
	ANSI Class 150										PVC, C-PVC					PP, PVDF							
	d	d'	D	C	n	h	L	t	H ₁		ASTM SCH40			ASTM SCH80									
1/2" 15mm	0.59	0.59	3.50	2.38	4	0.62	5.63	0.47	3.70	-	-	-	-	0.848	0.836	0.875	4.45	3.08	0.83	0.87	4.45	3.09	
3/4	20	0.79	0.79	3.88	2.75	4	0.62	6.77	0.55	4.50	-	-	-	-	1.058	1.046	1.000	5.08	3.56	1.03	1.00	5.08	3.61
1	25	0.98	0.98	4.25	3.12	4	0.62	7.36	0.55	5.24	-	-	-	-	1.325	1.310	1.125	5.75	4.32	1.30	1.13	5.75	4.37
1 1/4	32	1.57	1.26	4.62	3.50	4	0.62	8.35	0.63	6.50	-	-	-	-	1.670	1.655	1.250	6.85	5.51	1.65	1.25	7.04	5.75
1 1/2	40	1.57	1.26	5.00	3.88	4	0.62	8.35	0.63	6.50	-	-	-	-	1.912	1.894	1.375	7.24	5.71	1.89	1.37	7.24	5.85
2	50	2.01	1.69	6.00	4.75	4	0.75	9.21	0.63	7.34	-	-	-	-	2.387	2.369	1.500	8.23	6.66	2.36	1.50	8.23	6.76
2 1/2	65	3.07	2.28	7.00	5.50	4	0.75	11.97	0.71	10.06	-	-	-	-	2.889	2.868	1.750	11.21	9.65	2.88	1.752	11.21	9.65
3	80	3.07	2.28	7.50	6.00	4	0.75	11.97	0.71	10.06	-	-	-	-	3.516	3.492	1.875	11.10	9.59	3.48	1.874	11.10	9.59
4	100	3.94	3.07	9.00	7.50	8	0.75	14.65	0.71	12.01	4.518	4.491	2.000	13.90	-	-	-	-	11.58	4.48	2.252	14.37	14.37

FLANGED END

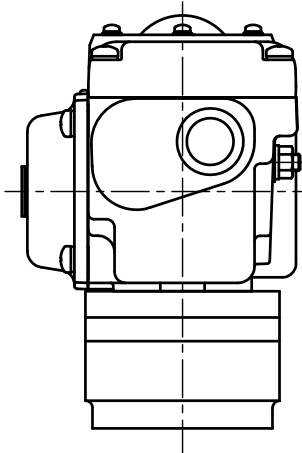


ACTUATOR MODEL	Spec.
T-00	<input type="checkbox"/> Standard <input type="checkbox"/> With Space Heater
T-0	<input type="checkbox"/> Standard <input type="checkbox"/> With Potentiometer <input type="checkbox"/> With Intermediate Limit Switch <input type="checkbox"/> With Speed Control Unit

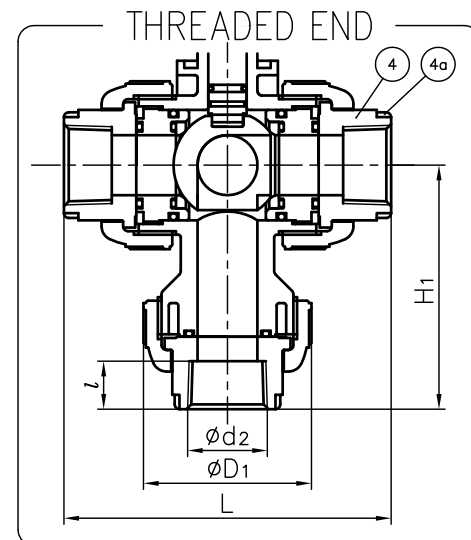
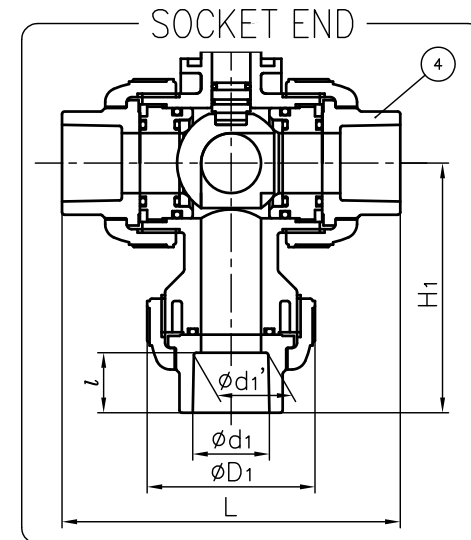
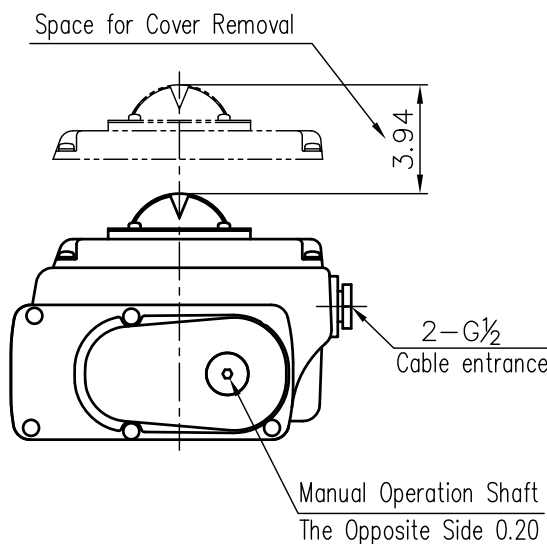
UNIT : inch

NOMINAL SIZE	THREADED END				D ₁	H	A	A ₁	A ₂	A ₃	ACTUATOR MODEL
	d ₂	l	L	H ₁							
1/2" 15mm	1/2 - 14 NPT	0.59	4.02	2.89	1.89	6.67	3.31	2.78	1.61	2.28	T-00
3/4	3/4 - 14 NPT	0.67	4.72	3.48	2.36	6.93	3.31	2.78	1.61	2.28	
1	1 - 11 1/2 NPT	0.79	5.16	4.13	2.76	7.20	3.31	2.78	1.61	2.28	
1 1/4	1 1/4 - 11 1/2 NPT	0.87	6.42	5.53	3.94	7.89	3.31	2.78	1.61	2.28	
1 1/2	1 1/2 - 11 1/2 NPT	0.98	6.42	5.53	3.94	7.89	3.31	2.78	1.61	2.28	
2	2 - 11 1/2 NPT	1.10	7.76	6.61	4.96	8.35	3.31	2.78	1.61	2.28	T-0
2 1/2	2 1/2 - 8 NPT	1.26	10.39	9.25	5.98	11.38	3.94	4.02	2.12	3.35	
3	3 - 8 NPT	1.38	10.39	9.25	5.98	11.38	3.94	4.02	2.12	3.35	
4	4 - 8 NPT	1.77	14.17	11.77	8.27	12.87	3.94	4.02	2.12	3.35	

NOTE. The shape and appearance of assembly differ a little with nominal size compared to this drawing.



Used for Size 2 1/2 ~ 4"



No.	DESCRIPTION	QTY.	MATERIAL	REMARKS
4a	RING	3	STAINLESS STEEL (SUS304)	Used for C-PVC Body, Threaded End : 1/2~1"
28	SCREW (B)	2	STAINLESS STEEL	SUS304
27	BOLT · NUT (B)	4sets	STAINLESS STEEL	SUS304
26	BOLT (A)	4	STAINLESS STEEL	SUS304
25	JOINT	1	COPPER ALLOY	C3604
24	STAND	1	PPG	
23	ACTUATOR	1	ALUMINUM ALLOYS DIE CASTINGS (ADC12) etc.	
13	STOP RING	3	PVDF	Used for Flanged End
12	O-RING (E)	1		
11	O-RING (D)	1	□EPDM	
10	CUSHION O-RING (C)	2	□FKM	Used for Size 2 1/2~4"
9	O-RING (B)	2	()	Used for Size 1/2~2"
8	O-RING (A)	3		
7	SEAT	2	PTFE	
6	STEM	1		
5	UNION NUT	3	□PVC	
4	END CONNECTOR	3	□C-PVC	
3	CARRIER	2	□PP	
2	BALL	1	□PVDF	
1	BODY	1		

ITEM 3-WAY BALL VALVE (TYPE 23) ELECTRIC MODEL T TYPE ASSY DOUBLE L-PORT TYPE
ANSI : □FLANGED END, □SOCKET END, □THREADED END
1/2" (15mm) ~ 4" (100mm)

DRAWN	K.Sakiyama	DATE	SCALE
CHECKED	H.Kawano	DEC.04.2014	~
APPROVED	T.Iwamoto	DRAWING No.	
SPECIAL ORDER No.	T3-AE009AE		

ASAHI YUKIZAI CORPORATION