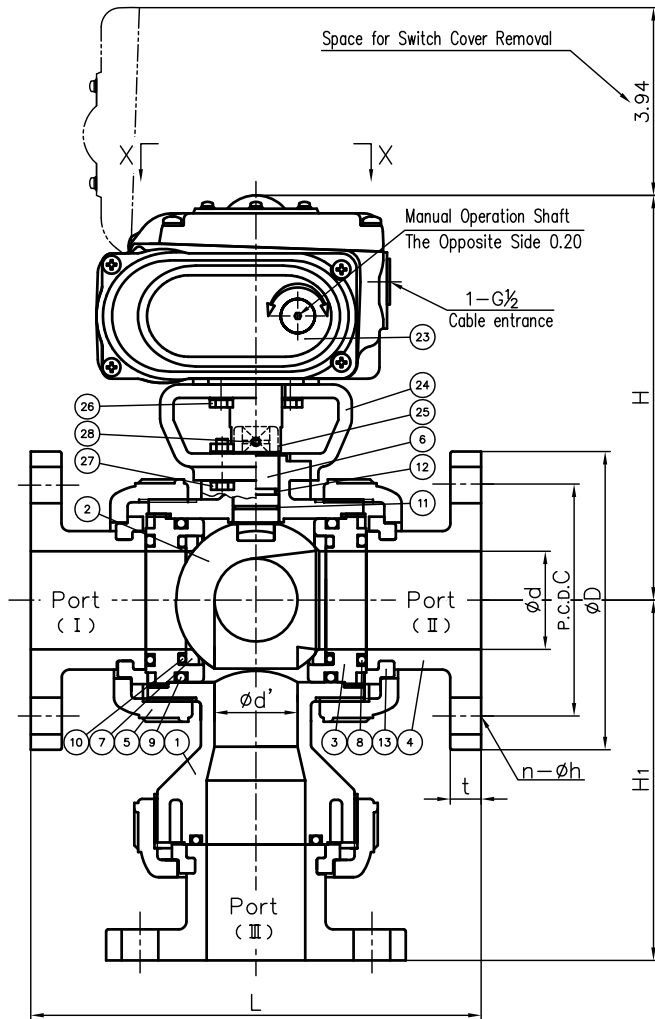


DIMENSIONS TABLE

NOMINAL SIZE	FLANGED END										SOCKET END (IPS)													
	ANSI Class 150										PVC, C-PVC					PP, PVDF								
	d	d'	D	C	n	h	L	t	H ₁		ASTM SCH40		ASTM SCH80											
15mm	1/2"	15	15	89	60.5	4	16	143	12	94	-	-	-	-	21.54	21.23	22.22	113	78	20.96	22.2	113	79	
20	3/4	20	20	98	70.0	4	16	172	14	115	-	-	-	-	26.87	26.57	25.40	129	90	26.16	25.4	129	92	
25	1	25	25	108	79.5	4	16	187	14	133	-	-	-	-	33.65	33.27	28.58	146	110	33.02	28.6	146	111	
32	1 1/4	40	32	117	89.0	4	16	212	16	165	-	-	-	-	42.42	42.04	31.75	174	140	41.91	31.8	179	147	
40	1 1/2	40	32	127	98.5	4	16	212	16	165	-	-	-	-	48.56	48.11	34.93	184	145	48.01	34.9	184	149	
50	2	51	43	152	120.5	4	19	234	16	187	-	-	-	-	60.63	60.17	38.10	209	169	59.94	38.1	209	172	
65	2 1/2	78	58	178	139.5	4	19	304	18	256	-	-	-	-	73.381	72.847	44.50	285	246	73.125	44.5	285	246	
80	3	78	58	191	152.5	4	19	304	18	256	-	-	-	-	89.306	88.697	47.60	282	244	88.392	47.6	282	244	
100	4	100	78	229	190.5	8	19	372	18	305	114.757	114.071	50.8	353	-	-	-	-	294	244	113.792	57.2	365	365

UNIT : mm

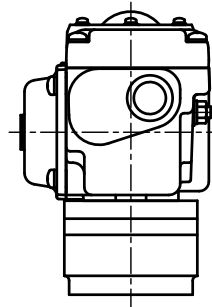
FLANGED END



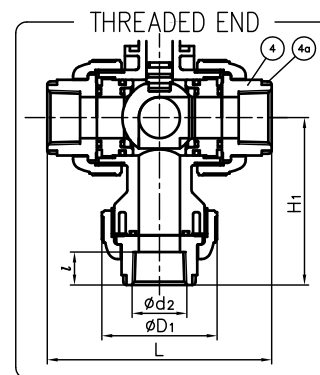
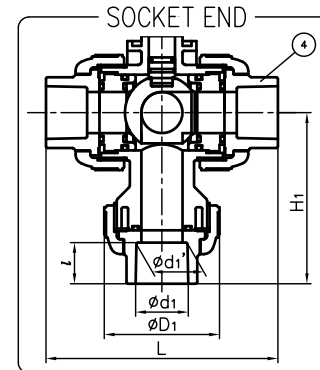
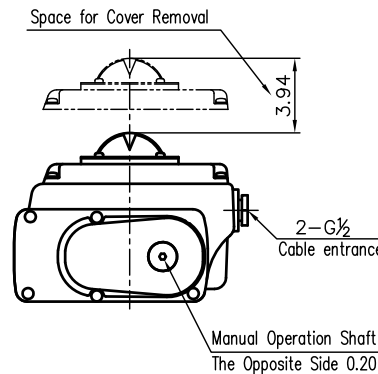
ACTUATOR MODEL	Spec.
T-00	<input type="checkbox"/> Standard <input type="checkbox"/> With Space Heater
T-0	<input type="checkbox"/> Standard <input type="checkbox"/> With Potentiometer <input type="checkbox"/> With Intermediate Limit Switch <input type="checkbox"/> With Speed Control Unit

NOMINAL SIZE	THREADED END					D ₁	H	A	A ₁	A ₂	A ₃	ACTUATOR MODEL
	d ₂	l	L	H ₁	L							
15mm	1/2"	1/2 - 14 NPT	15	102	74	48	169.5	84	70.5	41	58	T-00
20	3/4	3/4 - 14 NPT	17	120	89	60	176	84	70.5	41	58	
25	1	1 - 11 1/2 NPT	20	131	105	70	183	84	70.5	41	58	
32	1 1/4	1 1/4 - 11 1/2 NPT	22	163	141	100	200.5	84	70.5	41	58	
40	1 1/2	1 1/2 - 11 1/2 NPT	25	163	141	100	200.5	84	70.5	41	58	T-0
50	2	2 - 11 1/2 NPT	28	197	168	126	212	84	70.5	41	58	
65	2 1/2	2 1/2 - 8 NPT	32	264	235	152	289	100	102	53.8	85	
80	3	3 - 8 NPT	35	264	235	152	289	100	102	53.8	85	
100	4	4 - 8 NPT	45	360	299	210	327	100	102	53.8	85	

NOTE. The shape and appearance of assembly differ a little with nominal size compared to this drawing.



Used for Size 65-100mm



No.	DESCRIPTION	QTY.	MATERIAL	REMARKS
4a	RING	3	STAINLESS STEEL (SUS304)	Used for C-PVC Body, Threaded End : 15-25mm
28	SCREW (B)	2	STAINLESS STEEL	SUS304
27	BOLT · NUT (B)	4sets	STAINLESS STEEL	SUS304
26	BOLT (A)	4	STAINLESS STEEL	SUS304
25	JOINT	1	COPPER ALLOY	C3604
24	STAND	1	PPG	
23	ACTUATOR	1	ALUMINUM ALLOYS DIE CASTINGS (ADC12) etc.	
13	STOP RING	3	PVDF	Used for Flanged End
12	O-RING (E)	1		
11	O-RING (D)	1	□EPDM	Used for Size 65-100mm
10	CUSHION O-RING (C)	2	□FKM	
9	O-RING (B)	2	□Others	Used for Size 15-50mm
8	O-RING (A)	3	()	
7	SEAT	2	PTFE	
6	STEM	1		
5	UNION NUT	3	□PVC	
4	END CONNECTOR	3	□C-PVC	
3	CARRIER	2	□PP	
2	BALL	1	□PVDF	
1	BODY	1		

ITEM	3-WAY BALL VALVE (TYPE 23) ELECTRIC MODEL T TYPE ASS'Y DOUBLE L-PORT TYPE ANSI : □FLANGED END, □SOCKET END, □THREADED END 15mm (1/2") ~ 100mm (4")		
DRAWN	M.Iwakiri	DATE	SCALE
CHECKED	H.Kawano	JUN.21.2019	~
APPROVED	K.Koushou	DRAWING No.	
SPECIAL ORDER No.	T3-AE009AE m		
ASAHYUKIZAI CORPORATION			