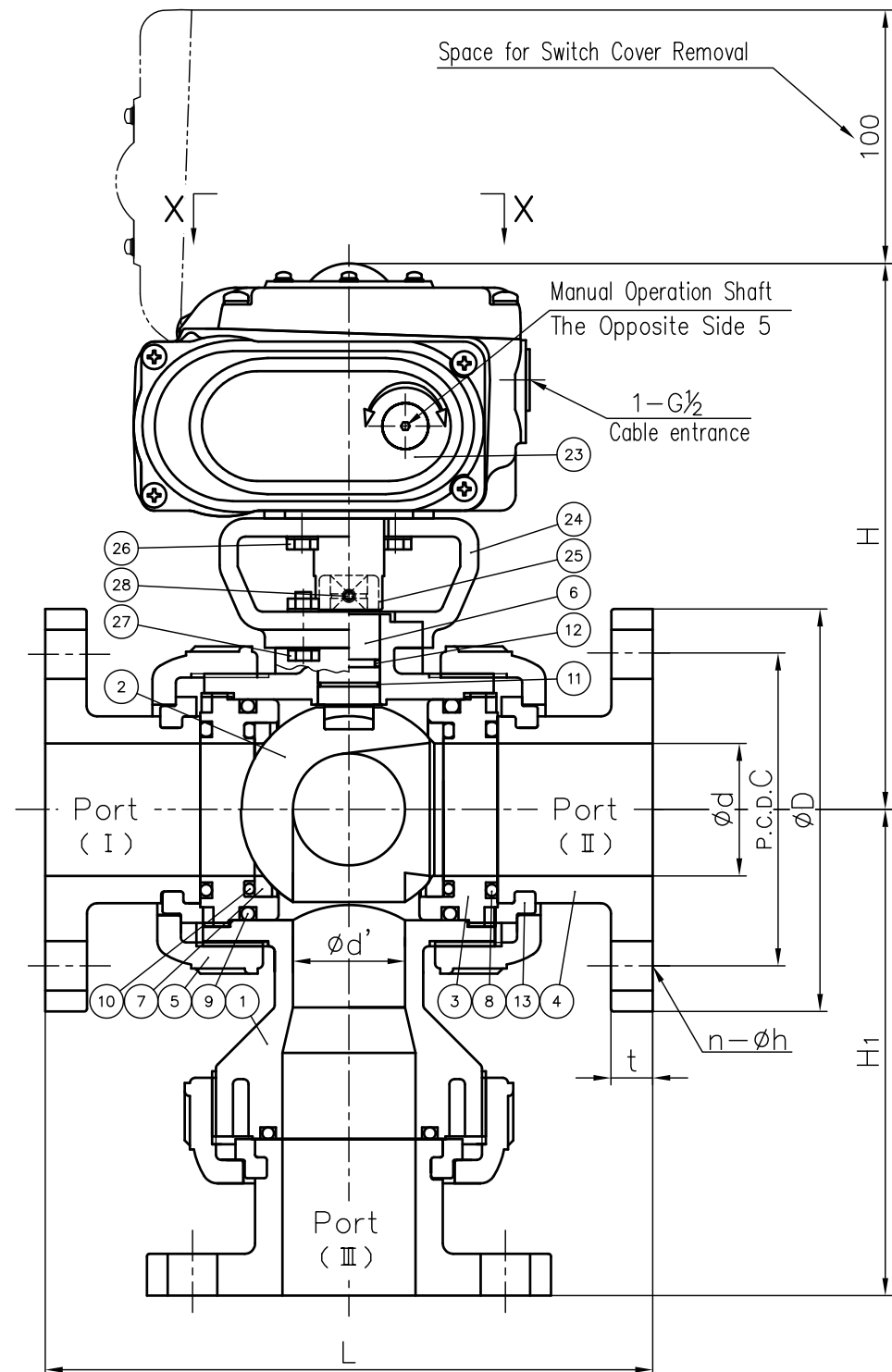


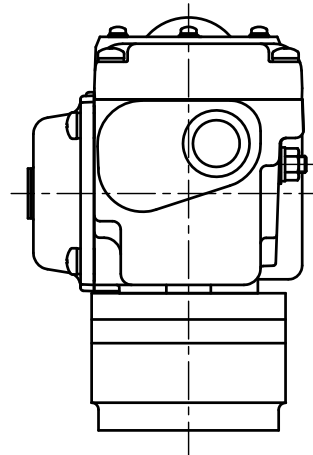
DIMENSIONS TABLE

NOMINAL SIZE	d	d'	FLANGED END								SOCKET END								
			DIN PN10				L	t	H1	PVC,C-PVC				PP,PVDF					
			D	C	n	h				d1	l	L	H1	d1	d1'	l	L	H1	
15mm	1/2"	15	15	95	65	4	14	130	12	88	20	16	102	72	19.5	19.3	14.5	99	71
20	3/4"	20	20	105	75	4	14	150	14	104	25	19	120	85	24.5	24.3	16	114	83
25	1"	25	25	115	85	4	14	160	14	120	32	22	131	104	31.5	31.3	18	123	100
32	1 1/4"	40	32	140	100	4	18	212	16	165	40	26	173	147	39.45	39.2	20.5	148	131
40	1 1/2"	40	32	150	110	4	18	200	16	159	50	31	163	142	49.45	49.2	23.5	148	131
50	2"	51	43	165	125	4	18	230	16	185	63	38	197	170	62.5	62.1	27.5	176	154
65	2 1/2"	78	58	185	145	4	18	304	18	256	75	44	282	245	74.25	73.95	31	256	227
80	3"	78	58	200	160	8	18	310	21	259	90	51	282	245	89.2	88.85	35.5	251	224
100	4"	100	78	220	180	8	18	350	18	305	110	61	349	305	109.05	108.65	41.5	310	279

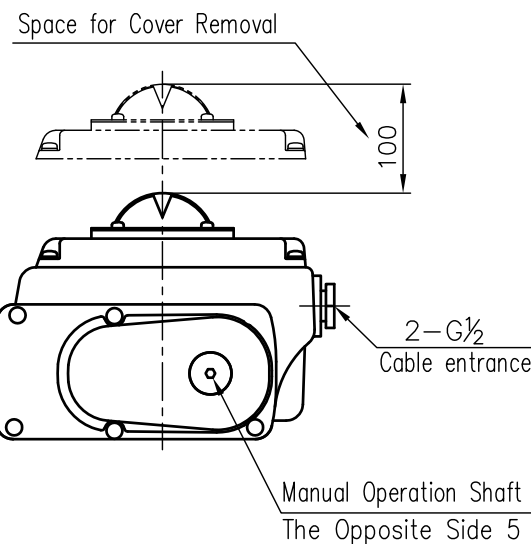
FLANGED END



ACTUATOR MODEL	Spec.
T-00	<input type="checkbox"/> Standard <input type="checkbox"/> With Space Heater
T-0	<input type="checkbox"/> Standard <input type="checkbox"/> With Potentiometer <input type="checkbox"/> With Intermediate Limit Switch <input type="checkbox"/> With Speed Control Unit



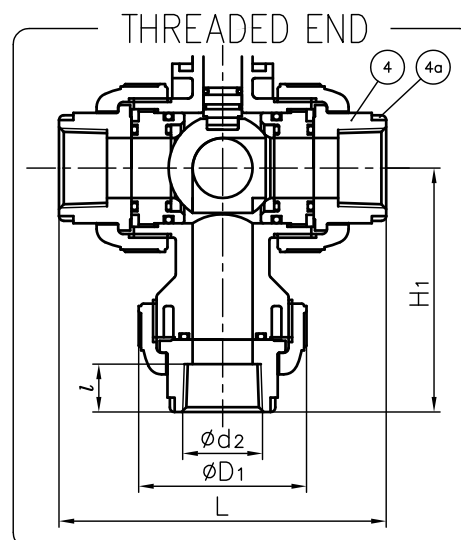
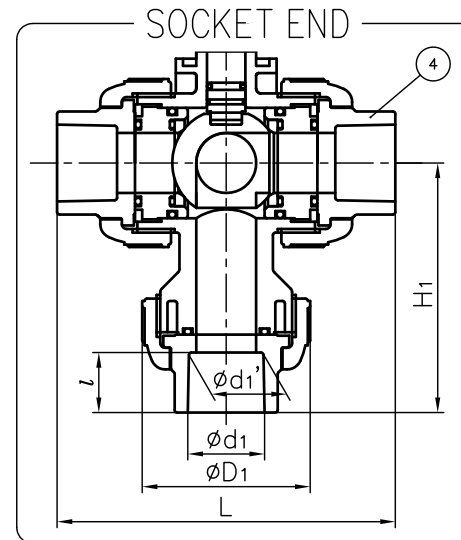
Used for Size 65-100mm



UNIT : mm

NOMINAL SIZE	d2	THREADED END				D1	H	A	A1	A2	A3	ACTUATOR MODEL
		l	L	H1	H1							
15mm	1/2"	Rp 1/2	15	102	74	48	169.5	84	70.5	41	58	T-00
20	3/4"	Rp 3/4	17	120	89	60	176	84	70.5	41	58	
25	1"	Rp 1	20	131	105	70	183	84	70.5	41	58	
32	1 1/4"	Rp 1 1/4	22	163	141	100	200.5	84	70.5	41	58	
40	1 1/2"	Rp 1 1/2	25	163	141	100	200.5	84	70.5	41	58	
50	2"	Rp 2	28	197	168	126	212	84	70.5	41	58	
65	2 1/2"	Rp 2 1/2	32	264	235	152	289	100	102	53.8	85	T-0
80	3"	Rp 3	35	264	235	152	289	100	102	53.8	85	
100	4"	Rp 4	45	338	299	210	327	100	102	53.8	85	

NOTE. The shape and appearance of assembly differ a little with nominal size compared to this drawing.



No.	DESCRIPTION	QTY.	MATERIAL	REMARKS
4a	RING	3	STAINLESS STEEL (SUS304)	Used for C-PVC Body, Threaded End : 1/2~1"
28	SCREW (B)	2	STAINLESS STEEL	SUS304
27	BOLT · NUT (B)	4sets	STAINLESS STEEL	SUS304
26	BOLT (A)	4	STAINLESS STEEL	SUS304
25	JOINT	1	COPPER ALLOY	C3604
24	STAND	1	PPG	
23	ACTUATOR	1	ALUMINUM ALLOYS DIE CASTINGS (ADC12) etc.	
13	STOP RING	3	PVDF	Used for Flanged End
12	O-RING (E)	1		
11	O-RING (D)	1	□EPDM	
10	CUSHION O-RING (C)	2	□FKM	Used for Size 2 1/2~4"
9	O-RING (B)	2	()	Used for Size 1/2~2"
8	O-RING (A)	3		
7	SEAT	2	PTFE	
6	STEM	1		
5	UNION NUT	3	□PVC	
4	END CONNECTOR	3	□C-PVC	
3	CARRIER	2	□PP	
2	BALL	1	□PVDF	
1	BODY	1		

ITEM 3-WAY BALL VALVE (TYPE 23) ELECTRIC MODEL T TYPE ASSY DOUBLE L-PORT TYPE
DIN : □FLANGED END, □SOCKET END, □THREADED END 15mm (1/2") ~100mm (4")

DRAWN	K.Sakiyama	DATE	SCALE
CHECKED	H.Kawano	DEC.04.2014	~
APPROVED	T.Iwamoto	DRAWING No. T3-AE009DE	

SPECIAL ORDER No. **ASAHI YUKIZAI CORPORATION**