

DIMENSIONS TABLE

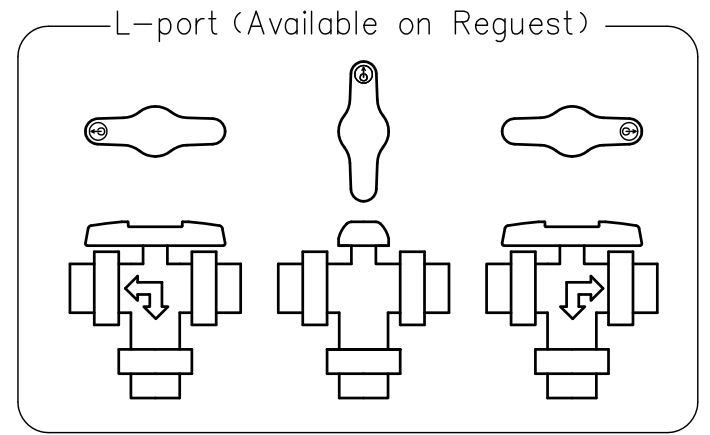
NOMINAL SIZE	FLANGED END							SOCKET END											THREADED END						
	ANSI Class 150							PVC, C-PVC											PP, PVDF						
	D	C	n	h	L	t	H <sub>1</sub>	ANSI SCH40				ANSI SCH80				L	H <sub>1</sub>	d <sub>1</sub>	l	L	H <sub>1</sub>	d <sub>2</sub>	l	L	H <sub>1</sub>
1/2"	15mm	3.50	2.38	4	0.62	5.63	0.47	3.70	-	-	-	-	0.848	0.836	0.875	4.45	3.08	0.83	0.87	4.45	3.09	1/2"-14 NPT	0.59	4.02	2.89
3/4"	20	3.88	2.75	4	0.62	6.77	0.55	4.50	-	-	-	-	1.058	1.046	1.000	5.08	3.56	1.03	1.00	5.08	3.61	3/4"-14 NPT	0.67	4.72	3.48
1"	25	4.25	3.12	4	0.62	7.36	0.55	5.24	-	-	-	-	1.325	1.310	1.125	5.75	4.32	1.30	1.13	5.75	4.37	1"-11 1/2 NPT	0.79	5.16	4.13
1 1/4"	32	4.62	3.50	4	0.62	8.35	0.63	6.50	-	-	-	-	1.670	1.655	1.250	6.85	5.51	1.65	1.25	7.04	5.75	1 1/4"-11 1/2 NPT	0.87	6.42	5.53
1 1/2"	40	5.00	3.88	4	0.62	8.35	0.63	6.50	-	-	-	-	1.912	1.894	1.375	7.24	5.71	1.89	1.37	7.24	5.85	1 1/2"-11 1/2 NPT	0.98	6.42	5.53
2"	50	6.00	4.75	4	0.75	9.21	0.63	7.34	-	-	-	-	2.387	2.369	1.500	8.23	6.66	2.36	1.50	8.23	6.76	2"-11 1/2 NPT	1.10	7.76	6.61
2 1/2"	65	7.00	5.50	4	0.75	11.97	0.71	10.06	-	-	-	-	2.889	2.868	1.750	11.21	9.65	2.88	1.752	11.21	9.65	2 1/2"-8 NPT	1.26	10.39	9.25
3"	80	7.50	6.00	4	0.75	11.97	0.71	10.06	-	-	-	-	3.516	3.492	1.875	11.10	9.59	3.48	1.874	11.10	9.59	3"-8 NPT	1.38	10.39	9.25
4"	100	9.00	7.50	8	0.75	14.65	0.71	12.01	4.518	4.491	2.000	13.90	-	-	-	-	11.58	4.48	2.252	14.37	14.37	4"-8 NPT	1.77	14.17	11.77

UNIT : inch

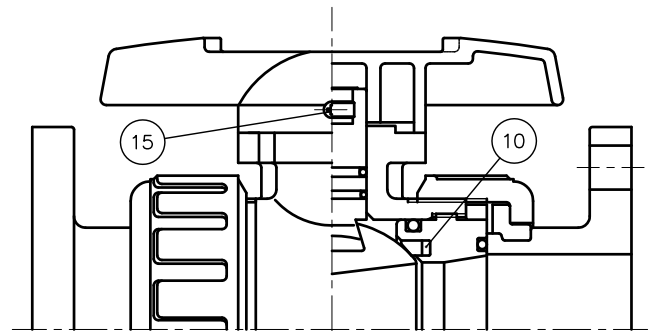
NOMINAL SIZE	d	d'	D <sub>1</sub>	D <sub>2</sub>	D <sub>3</sub>	D <sub>4</sub>	C <sub>1</sub>	H	H <sub>2</sub>	H <sub>3</sub>	H <sub>4</sub>	H <sub>5</sub>	A	S	e	
1/2"	15mm	0.59	0.59	1.89	1.65	0.98	0.53	1.42	2.03	1.18	0.24	0.12	0.31	3.62	0.41	0.22
3/4"	20	0.79	0.79	2.36	1.65	0.98	0.59	1.42	2.34	1.44	0.24	0.12	0.39	3.94	0.43	0.22
1"	25	0.98	0.98	2.76	1.65	0.98	0.59	1.42	2.68	1.71	0.24	0.12	0.39	4.33	0.43	0.22
1 1/4"	32	1.57	1.26	3.94	2.24	1.38	0.91	1.97	3.50	2.40	0.39	0.12	0.47	5.16	0.71	0.26
1 1/2"	40	1.57	1.26	3.94	2.24	1.38	0.91	1.97	3.50	2.40	0.39	0.12	0.47	5.16	0.71	0.26
2"	50	2.01	1.69	4.96	2.24	1.38	0.91	1.97	4.04	2.85	0.39	0.12	0.47	6.26	0.71	0.26
2 1/2"	65	3.07	2.28	5.98	3.19	2.17	1.18	2.76	5.51	3.70	0.51	0.12	0.75	9.45	0.94	0.35
3"	80	3.07	2.28	5.98	3.19	2.17	1.18	2.76	5.51	3.70	0.51	0.12	0.75	9.45	0.94	0.35
4"	100	3.94	3.07	8.27	4.57	2.76	1.57	4.02	7.01	4.96	0.63	0.12	0.91	11.81	1.34	0.43

NOTE.

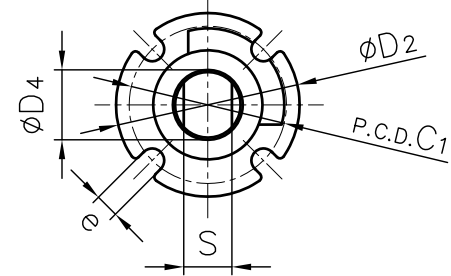
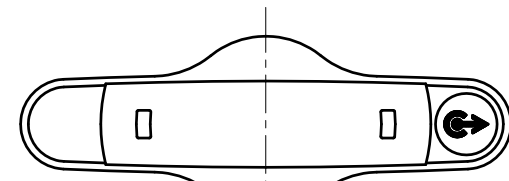
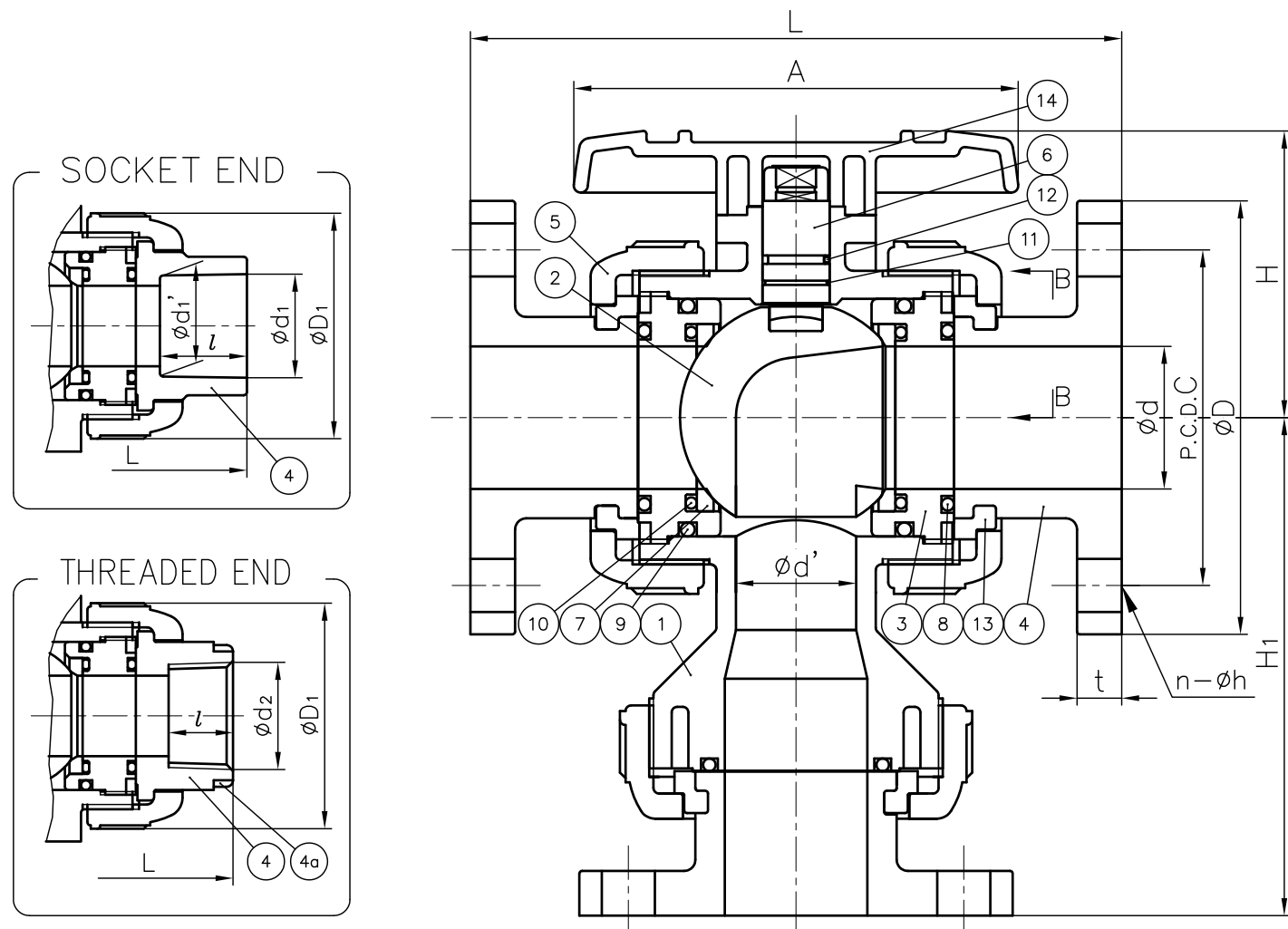
The shape and appearance of assembly differ a little with nominal size compared to this drawing.



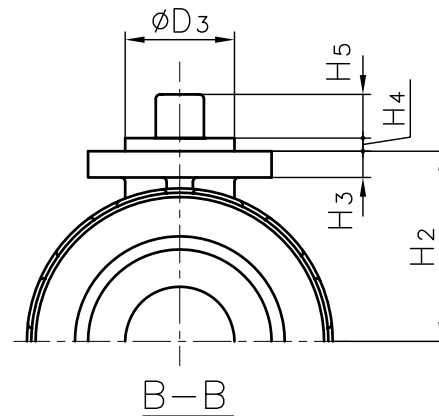
2 1/2" ~ 4"



FLANGED END



(Detail of Stem Part.)



No.	DESCRIPTION	QTY.	MATERIAL	REMARKS
4a	RING	3	STAINLESS STEEL (SUS304)	Used for C-PVC Body, Threaded End: 1/2"-1"
15	TAPPING SCREW (A)	1	STAINLESS STEEL (SUS304)	Used for Size 2 1/2"-4"
14	HANDLE	1	ABS	
13	STOP RING	3	PVDF	Used for Flanged End
12	O-RING (E)	1		
11	O-RING (D)	1	□EPDM	
10	CUSHION	2	□FKM	Used for Size 2 1/2"-4"
	O-RING (C)	2	□Others	Used for Size 1/2"-2"
9	O-RING (B)	2	( )	
8	O-RING (A)	3		
7	SEAT	2	PTFE	
6	STEM	1		
5	UNION NUT	3	□PVC	
4	END CONNECTOR	3	□C-PVC	
3	CARRIER	2	□PP	
2	BALL	1	□PVDF	
1	BODY	1		

ITEM	3-WAY BALL VALVE (TYPE 23) ASS'Y ANSI: □FLANGED END, □SOCKET END, □THREADED END 1/2" (15mm) ~ 4" (100mm)		
DRAWN	M.Oosako	DATE	SCALE
CHECKED	H.Kawano	APR.04.2013	~
APPROVED	K.Kamita	DRAWING No.	
SPECIAL ORDER No.		T3-M1003AE	
<b>ASAHI YUKIZAI CORPORATION</b>			