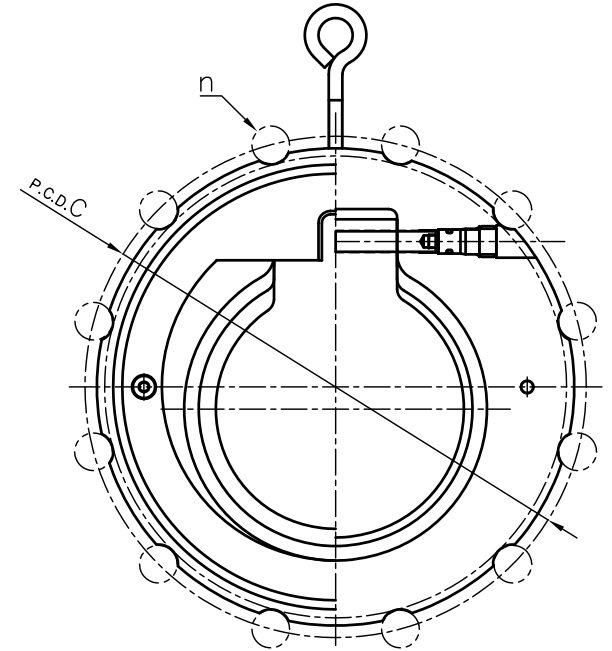
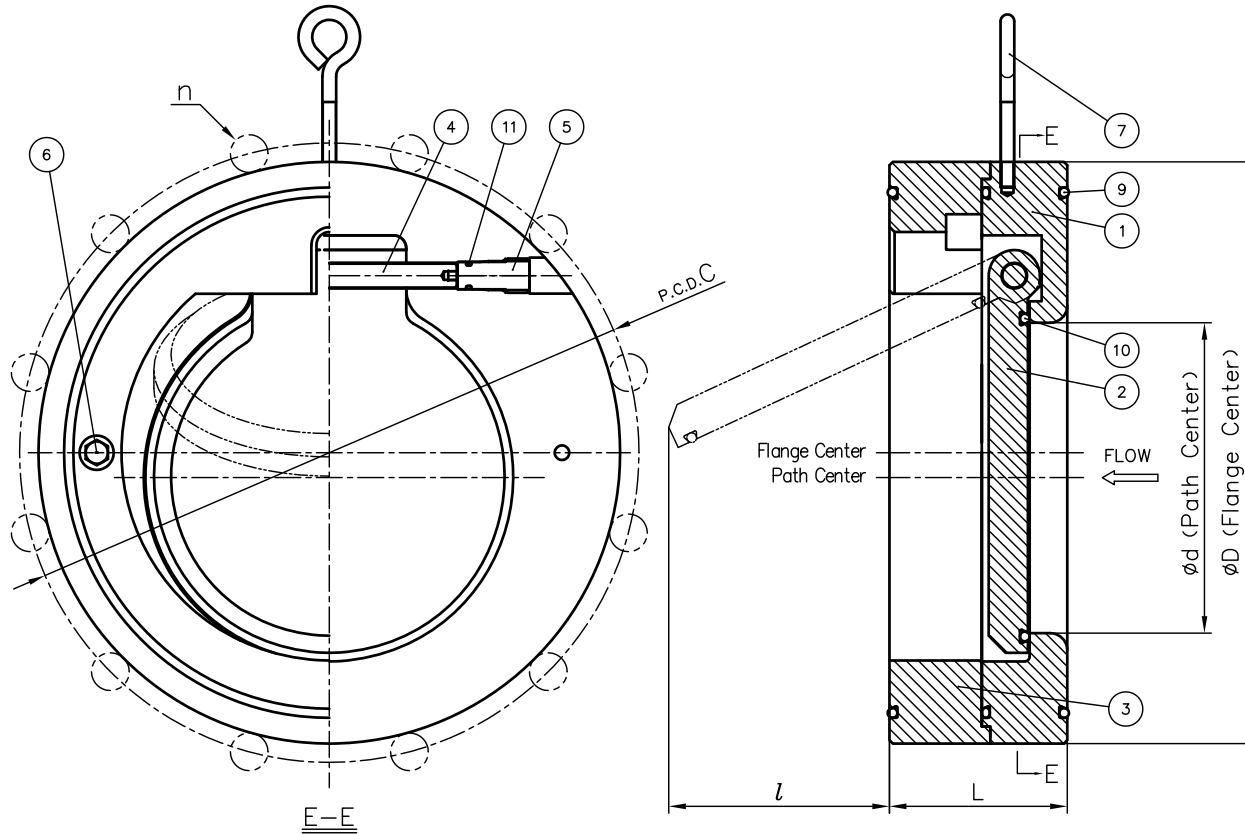


4" (100mm) ~12" (300mm)

3" (80mm)



DIMENSIONS TABLE

Unit : inch

| Nominal Size | | ANSI Class 150 | | d | D | L | l |
|--------------|------|----------------|----|------|-------|------|------|
| | | C | n | | | | |
| 3" | 80mm | 6.00 | 4 | 1.85 | 5.67 | 2.48 | 0.89 |
| 4 | 100 | 7.50 | 8 | 2.05 | 6.89 | 2.76 | 1.37 |
| 5 | 125 | 8.50 | 8 | 3.03 | 7.76 | 2.99 | 2.00 |
| 6 | 150 | 9.50 | 8 | 3.62 | 8.74 | 3.23 | 2.55 |
| 8 | 200 | 11.75 | 8 | 5.20 | 10.98 | 3.98 | 3.69 |
| 10 | 250 | 14.25 | 12 | 6.97 | 13.39 | 4.49 | 5.08 |
| 12 | 300 | 17.00 | 12 | 8.54 | 16.14 | 4.53 | 6.52 |

Note. The shape and appearance of the assembly differ a little with nominal size and a connection standard of this drawing.

| 11 | O-RING (C) | 1 | | |
|-----|-------------|------|---|-----------|
| 10 | O-RING (B) | 1 | <input type="checkbox"/> EPDM <input type="checkbox"/> FKM | |
| 9 | O-RING (A) | 3 | | |
| 7 | I BOLT | 1 | CHROMIZED STEEL (SS400) | Unichrome |
| 6 | BOLT | 2 | | |
| 5 | SHAFT PLUG | 1 | | |
| 4 | SHAFT | 1 | PVC | |
| 3 | STOPPER | 1 | | |
| 2 | DISC | 1 | | |
| 1 | BODY | 1 | | |
| No. | DESCRIPTION | QTY. | MATERIAL | REMARKS |

| | | | |
|-------------------|---|---------------------------|-------|
| ITEM | WAFER CHECK VALVE ASS'Y ANSI Class 150 3" (80mm) ~12" (300mm) | | |
| DRAWN | M.Iwakiri | DATE | SCALE |
| CHECKED | H.Kawano | DEC.26.2018 | |
| APPROVED | K.Koushou | DRAWING No. WC-60003AE | |
| SPECIAL ORDER No. | ASAHI YUKIZAI CORPORATION | | |