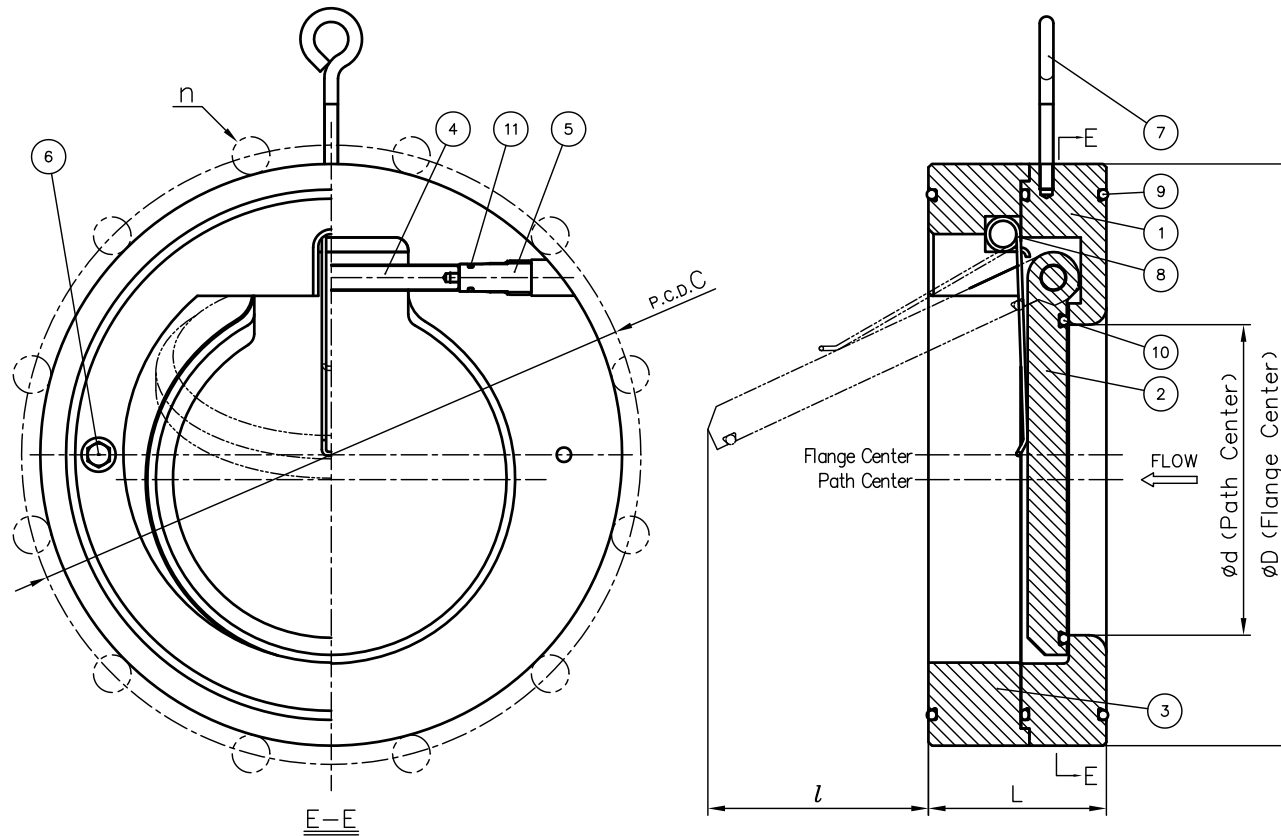
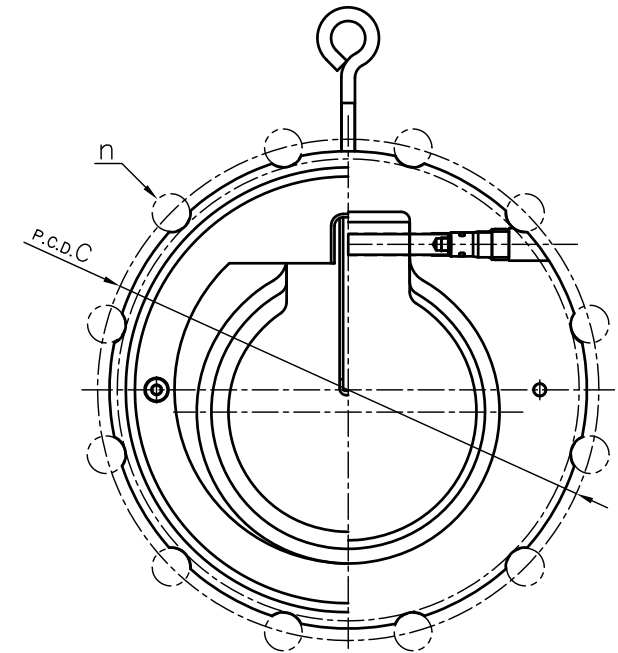


4" (100mm) ~12" (300mm)



3" (80mm)



DIMENSIONS TABLE

Unit : inch

Nominal Size		ANSI Class 150		d	D	L	l
		C	n				
3"	80mm	6.00	4	1.85	5.67	2.48	0.89
4	100	7.50	8	2.05	6.89	2.76	1.37
5	125	8.50	8	3.03	7.76	2.99	2.00
6	150	9.50	8	3.62	8.74	3.23	2.55
8	200	11.75	8	5.20	10.98	3.98	3.69
10	250	14.25	12	6.97	13.39	4.49	5.08
12	300	17.00	12	8.54	16.14	4.53	6.52

Note. The shape and appearance of the assembly differ a little with nominal size and a connection standard of this drawing.

11	O-RING (C)	1	□ EPDM □ FKM	
10	O-RING (B)	1		
9	O-RING (A)	3		
8	SPRING	1	SWP-B	ETFE Coating
7	I BOLT	1	CHROMIZED STEEL (SS400)	Unichrome
6	BOLT	2	PVC	
5	SHAFT PLUG	1		
4	SHAFT	1		
3	STOPPER	1		
2	DISC	1		
1	BODY	1		
No.	DESCRIPTION	QTY.	MATERIAL	REMARKS

ITEM	WAFER CHECK VALVE ASS'Y SPRING TYPE ANSI Class 150 3" (80mm) ~12" (300mm)			
DRAWN	M.Iwakiri	DATE	SCALE	
CHECKED	H.Kawano	DEC.21.2018	~	
APPROVED	K.Koushou	DRAWING No.		
SPECIAL ORDER No.		WC-60004AE		3
ASAHI YUKIZAI CORPORATION				