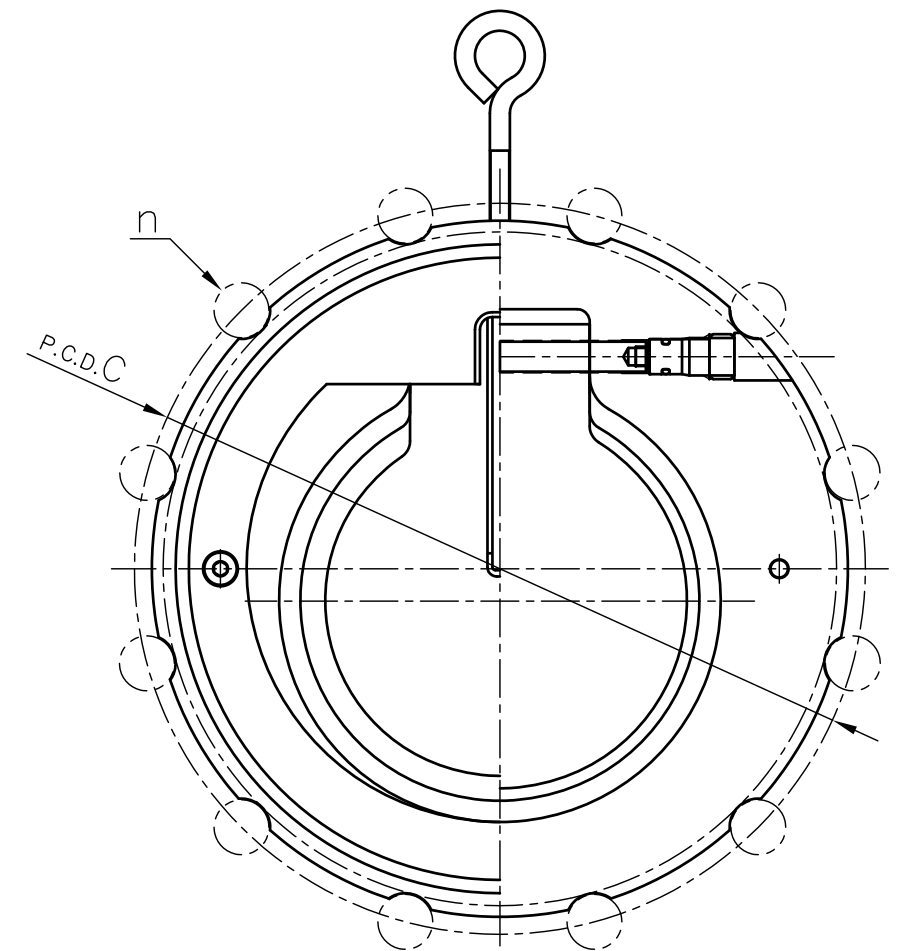
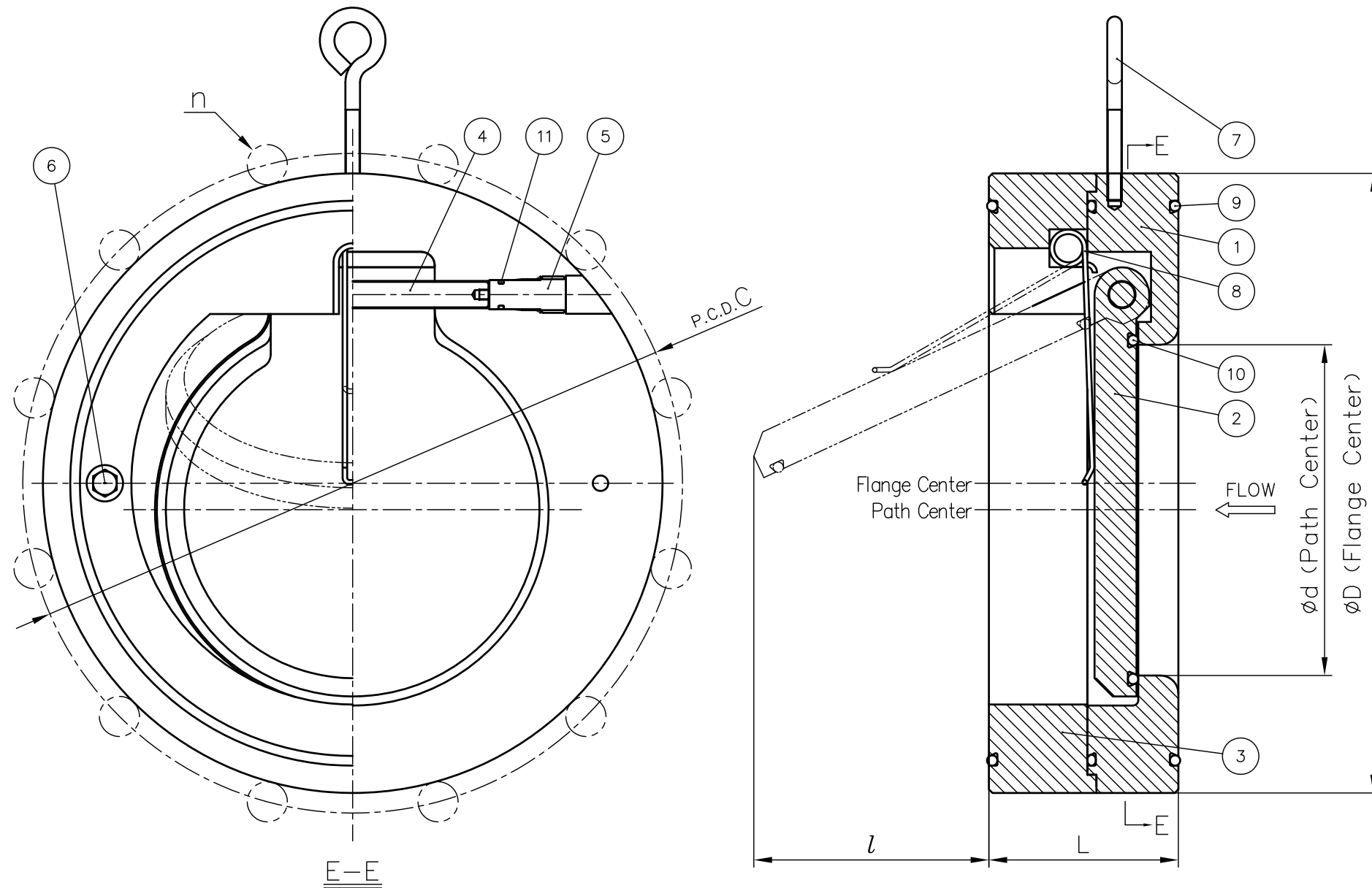


125^{mm} (5"), 150^{mm} (6"),
250^{mm} (10"), 300^{mm} (12")

80^{mm} (3"), 100^{mm} (4"), 200^{mm} (8")



DIMENSIONS TABLE

Unit : mm

Nominal Size		JIS 10K		d	D	L	l
		C	n				
80 ^{mm}	3"	150	8	47	144	63	22.6
100	4	175	8	52	175	70	34.9
125	5	210	8	77	190	76	50.9
150	6	240	8	92	220	82	64.8
200	8	290	12	132	279	101	93.6
250	10	355	12	177	333	114	129.0
300	12	400	16	217	378	115	165.6

Note. The shape and appearance of the assembly differ a little with nominal size and aconnection standard of this drawing.

11	O-RING (C)	1		
10	O-RING (B)	1	<input type="checkbox"/> EPDM <input type="checkbox"/> FKM	
9	O-RING (A)	3		
8	SPRING	1	SWP-B	ETFE Coating
7	I BOLT	1	CHROMIZED STEEL (SS400)	Unichrome
6	BOLT	2		
5	SHAFT PLUG	1	PVC	
4	SHAFT	1		
3	STOPPER	1		
2	DISC	1		
1	BODY	1		
No.	DESCRIPTION	QTY.	MATERIAL	REMARKS
WAFER CHECK VALVE ASS'Y SPRING TYPE JIS 10K 80 ^{mm} (3") ~ 300 ^{mm} (12")				
DRAWN	E.Emmei	DATE	SCALE	
CHECKED	H.Kawano	APR.10.2014	~	
APPROVED	K.Kamita	DRAWING No.		
SPECIAL ORDER No.		WC-60004JE		
ASAHI YUKIZAI CORPORATION				