

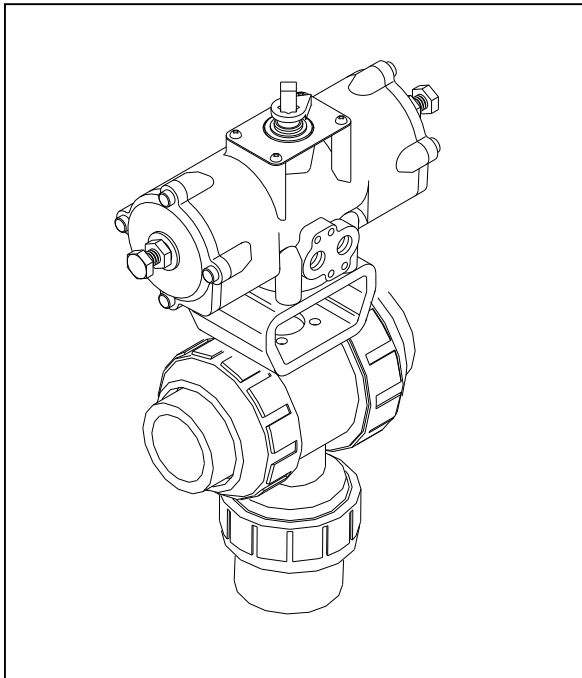
Serial No.	H-A029-E-12
------------	-------------

Contents

- (1) Be sure to read the following warranty clauses of our product 1
- (2) General operating instructions 2
- (3) General instructions for transportation, unpacking and storage 3
- (4) Name of parts 4
- (5) Maximum working pressure vs. temperature 5
- (6) Specifications of actuator 6
- (7) Specifications of limit switch 6
- (8) Specifications of solenoid valve 7
- (9) Specifications of pressure reducing valve with filter 8
- (10) Specifications of speed controller 8
- (11) Installation procedure 9
- (12) Support setting procedure 14
- (13) Air piping procedure 15
- (14) Connection of limit switch procedure 17
- (15) Connection of solenoid valve procedure 18
- (16) Operating procedure 19
 - Manual operating procedure 20
 - Automatic operating procedure 21
 - Adjustment of opening / closing speed procedure 22
- (17) Adjustment face pressure between ball and seat 24
- (18) Disassembling method for replacing parts 25
- (19) Inspection items 26
- (20) Troubleshooting 26
- (21) Handling of residual and waste materials 27



**3-Way Ball Valve Type23
Pneumatic Actuated
Type TA**

User's Manual





This user's guide contains very important information for the proper installation, maintenance and safe use of an ASAHI AV Product. Please store this manual in an easily accessible location.

<Warning & Caution Signs>

 Warning	This symbol reminds the user to take caution due to the potential for serious injury or death.
 Caution	This symbol reminds the user to take caution due to the potential for damage to the valve if used in such a manner.



<Prohibited & Mandatory Action Signs>


	Prohibited: When operating the valve, this symbol indicates an action that should not be taken.
	Mandatory action: When operating the valve, this symbol indicates mandatory actions that must be adhered to.



(1) Be sure to read the following warranty clauses of our product


- Always observe the specifications of and the precautions and instructions on using our product.
- We always strive to improve product quality and reliability, but cannot guarantee perfection. Therefore, should you intend to use this product with any equipment or machinery that may pose the risk of serious or even fatal injury, or property damage, ensure an appropriate safety design or take other measures with sufficient consideration given to possible problems. We shall assume no responsibility for any inconvenience stemming from any action on your part without our written consent in the form of specifications or other documented approval.
- The related technical documents, operation manuals, and other documentation prescribe precautions on selecting, constructing, installing, operating, maintaining, and servicing our products. For details, consult with our nearest distributor or agent.
- Our product warranty extends for one and a half years after the product is shipped from our factory or one year after the product is installed, whichever comes first. Any product abnormality that occurs during the warranty period or which is reported to us will be investigated immediately to identify its cause. Should our product be deemed defective, we shall assume the responsibility to repair or replace it free of charge.
- Any repair or replacement needed after the warranty period ends shall be charged to the customer.
- The warranty does not cover the following cases:
 - (1) Using our product under any condition not covered by our defined scope of warranty.
 - (2) Failure to observe our defined precautions or instructions regarding the construction, installation, handling, maintenance, or servicing of our product.
 - (3) Any inconvenience caused by any product other than ours.
 - (4) Remodeling or otherwise modifying our product by anyone other than us.
 - (5) Using any part of our product for anything other than the intended use of the product.
 - (6) Any abnormality that occurs due to a natural disaster, accident, or other incident not stemming from something inside our product.

(2) General operating instructions

- 


Warning - Do not disassemble or modify the actuator.
(If disassembled forcible, internal parts may jump out and this is very dangerous.)
- 

- Using a positive-pressure gas with our plastic piping may pose a dangerous condition due to the repellent force particular to compressible fluids even when the gas is under similar pressures used for liquids. Therefore, be sure to take the necessary safety precautions such as covering the piping with protective material. For inquiries, please contact us. For conducting a leak test on newly installed piping, be sure to check for leaks under water pressure. If absolutely necessary to use a gas in testing, please consult your nearest service station beforehand.
- Certain liquid such as H₂O₂, NaClO, etc may be prone to vaporization (Off-Gassing) which may cause irregular pressure increases, which may destroy the valve.
- 


Caution - Do not step on or apply excessive weight on valve. (It can be damaged.)
- Do not use the valve to fluid containing slurry. (The valve will not operate properly.)
- Do not use AV valves in a place where they may become submerged in water.
- Do not remove a dust-proof cap provided to piping port before piping work starts.
- Do not use the valve in conditions where the fluid may have crystallized.
(The valve will not operate properly.)
- 

- Keep the valve away from excessive heat or fire. (It can be damaged, or destroyed.)
- Always operate the valve within the pressure vs. temperature range.
(The valve can be damaged or deformed by operating beyond the allowable range.)
- Allow sufficient space for maintenance and inspection.
- Select a valve material that is compatible with the media. For chemical resistance information, refer to “CHEMICAL RESISTANCE ON ASAHI AV VALVE”.
(Some chemicals may damage incompatible valve materials.)
- Keep the valve out of direct sunlight, water and dust. Use cover to shield the valve.
(The valve will not operate properly.)
- Perform periodic maintenance. (Leakage may develop due to temperature changes or periods of prolonged storage, rest, or operation.)
- Set valve support on the valve.
- The AV valves must be used within the specifications specifically applicable to the Product.
- If the actuator is used in an environment below 5°C temperature, its operating fluid must be free from the water and moisture contained in it because of possible problems due to the freeze.
- The operating fluid must be clean air filtered through a pertinent air filter.

(3) General instructions for transportation, unpacking and storage



Warning

- When suspending and supporting a valve, take care and do not stand under a suspended valve.



Caution

- This valve is not designed to handle impacts of any kind. Avoid throwing or dropping the valve.

- Avoid scratching the valve with any sharp object.

- Do not over-stack cardboard shipping boxes. Excessively stacked packages may collapse.

- Avoid contact with any coal tar creosote, insecticides, vermicides or paint.

(These chemicals may cause damage to the valve.)

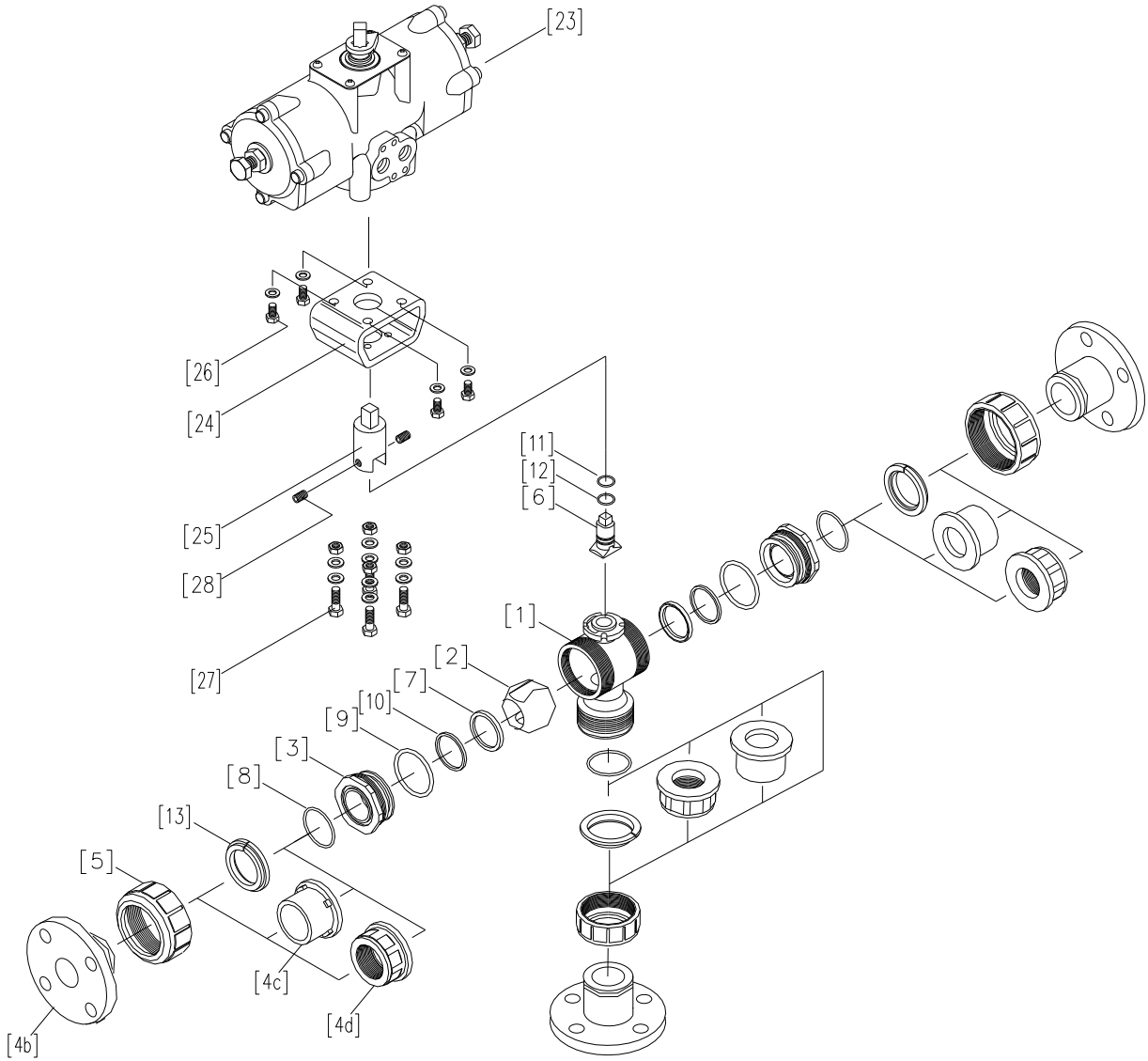
- When transporting a valve, do not carry it by the handle.



- Store products in their corrugated cardboard boxes. Avoid exposing products to direct sunlight, and store them indoors (at room temperature). Also avoid storing products in areas with excessive temperatures. (Corrugated cardboard packages become weaker as they become wet with water or other liquid. Take care in storage and handling.)

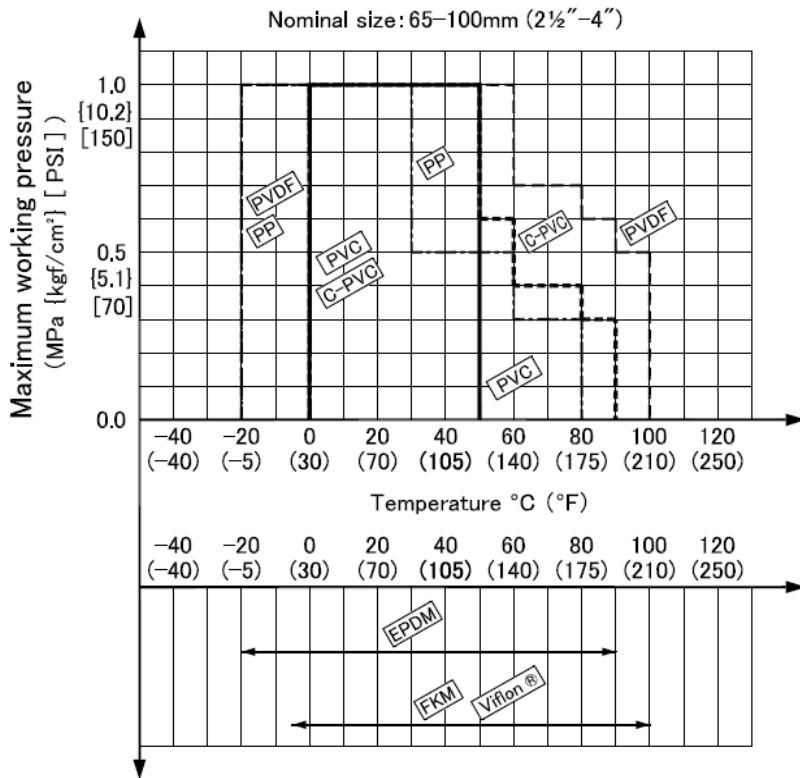
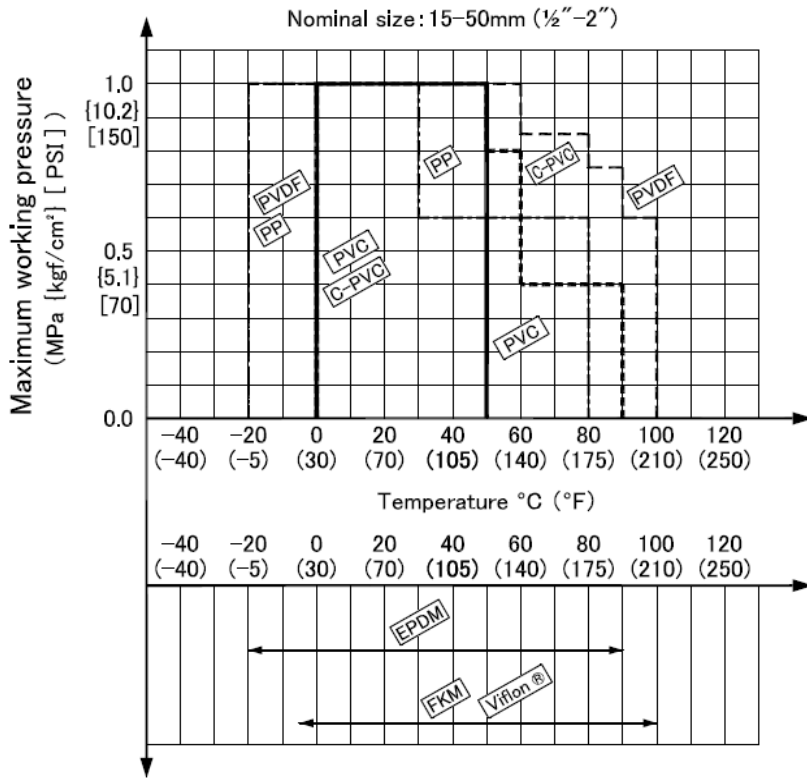
- After unpacking the products, check that they are defect-free and meet the specifications.

(4) Name of parts



[1]	Body	[6]	Stem	[13]	Stop ring
[2]	Ball	[7]	Seat	[23]	Actuator
[3]	Carrier	[8]	O ring (A)	[24]	Stand
[4b]	End connector (Flanged end type)	[9]	O ring (B)	[25]	Joint
[4c]	End connector (Socket end type)	[10]	Cushion	[26]	Bolt (A)
[4d]	End connector (Threaded end type)	[11]	O ring (C)	[27]	Bolt-nut (B)
[5]	Union nut	[12]	O ring (E)	[28]	Screw(B)

(5) Maximum working pressure vs. temperature



(6) Specifications of actuator

Actuation	Nominal Size	Actuator name	Angle adjustment range	Standard operating pressure MPa [kgf/cm ²]	Air consumption N l per 1 open and close (at 0.4MPa)	Air supply bore
Double Action Type	15-25mm (1/2"-1")	TA2A-0402D	Unable to adjust	0.4 {4.1}	0.8	Rc 1/8
	32-50mm (1 1/4"-2")	TA2A-050D	±5°	0.4 {4.1}	0.9	Rc 1/4
	65,80mm (2 1/2",3")	TA2A-063D	±5°	0.4 {4.1}	1.7	Rc 1/4
	100mm (4")	TA2A-080D	±5°	0.4 {4.1}	3.2	Rc 1/4
Single Action Type	15-25mm (1/2"-1")	TA2A-0402R	Unable to adjust	0.4 {4.1}	0.8	Rc 1/4
	32-50mm (1 1/4"-2")	TA2A-050R	±5°	0.4 {4.1}	1.7	Rc 1/4
	65,80mm (2 1/2",3")	TA2A-063R	±5°	0.4 {4.1}	3.3	Rc 1/4
	100mm (4")	TA2A-080R	±5°	0.4 {4.1}	6.1	Rc 1/4

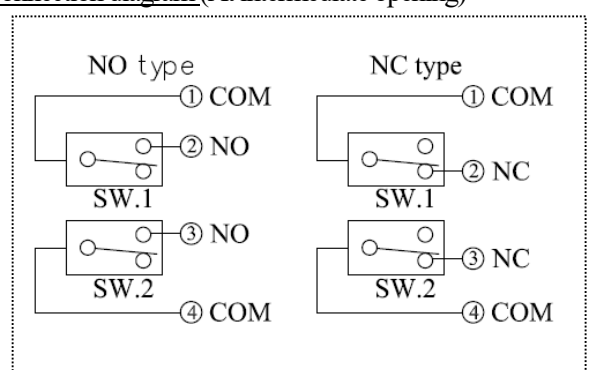
(7) Specifications of limit switch (option)

Actuation	Nom. size	Type sign	Protection grade	Type of limit switch
Double actuation Type Air to open Type Air to shut Type	15-25mm (1/2"-1")	SB2-09	IP65	V-112-1C24 (OMRON)
	32-50mm (1 1/4"-2")	SB2-11		
	65-100mm (2 1/2"-4")	SB2-16		

Limit switch rating

Rate voltage (V)	resistive load (A)	Inductive load (A)
AC125	11	7
AC250	11	7
DC115	0.5	0.1
DC250	0.25	0.04

Connection diagram (At intermediate opening)



SW.1: Contact closes when valve is right open (double acting/air to open)
 Contact closes when valve is left open (air to shut)

SW.2: Contact closes when valve is left open (double acting/air to open)
 The contact closes when the valve is right open (air to shut)

(8) Specification of solenoid valve (option)

Actuation	Nom. size	Type sign	Pipe bore	Effective cross section area	Power consumption	Additional function
Double actuation Type Air to open Type Air to shut Type	15-100mm (1/2"-4")	4N3S102K-W □-G31193	Rc 1/4	10mm ² or more	AC ; 6VA DC ; 5.5W	○Bypass valve built-in ○Silencer with needle valve attached (to be used as speed controller)

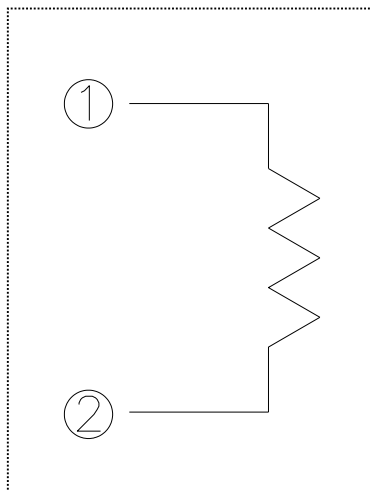
4N3S102K-W□-G31193



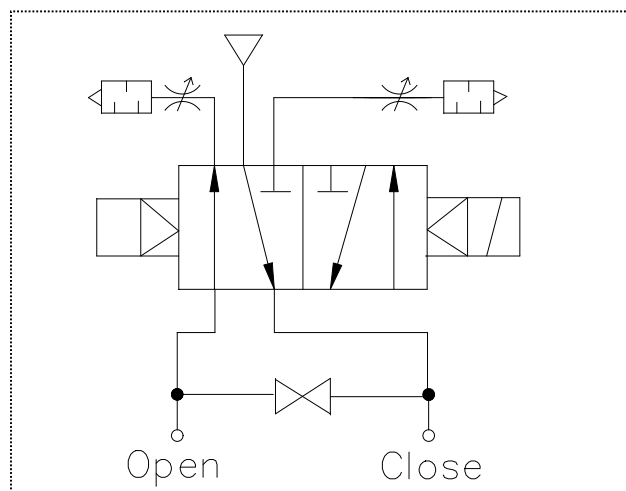
※ () is special order

Specification	sign
AC100V 50/60Hz	1
AC110V 50/60Hz	(2)
AC200V 50/60Hz	3
AC220V 50/60Hz	(4)
DC24V	5
DC48V	(6)
DC100V	(7)
DC125V	(8)
DC110V	(9)

Connection diagram



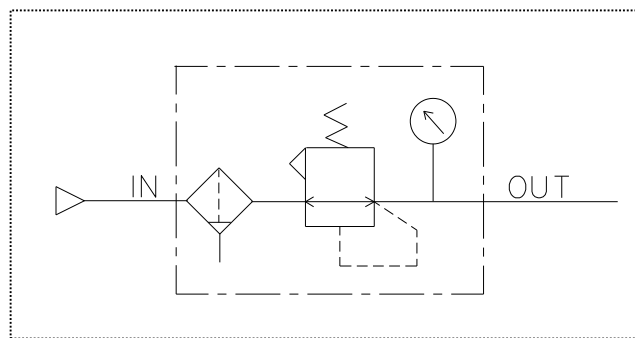
JIS sign



(9) Specification of pressure reducing valve with filter (option)

Actuation	Nominal size(mm)	Type sign	Pipe bore	Element degree Of filtration
Double actuation Type	15-100mm (1/2"-4")	ARU2-02-8A-G	Rc 1/4	5 μm
Air to open Type				
Air to shut Type				

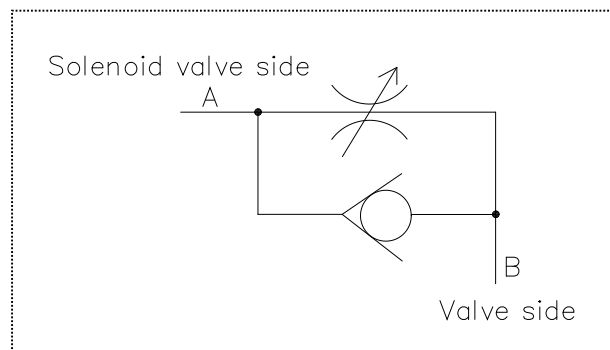
JIS sign



(10) Specification of speed controller (option)

Actuation	Nom. size(mm)	Type sign	Pipe bore	Effective cross section area (mm ²)		Needle No. of revolution
				Free flow	Control flow	
Double Actuation Type	15-25mm (1/2"-1")	SC7-06A	Rc 1/8	3.8	5.5	8 turns
Single Actuation Type						
Double actuation Type	32-100mm (1 1/4"-4")	SC7-08A	Rc 1/4	11	8.3	
Single Actuation Type						

JIS sign



(11) Installation procedure



Warning

- When suspending and supporting a valve, take care and do not stand under a suspended valve.



- Be sure to conduct a safety check on all hand and power tools to be used before beginning work.
- Wear protective gloves and safety goggles as fluid remain in the valve even if the pipeline is empty. (You may be injured.)



Caution

- When installing a pipe support by means of a U-band or something similar, take care not to over-tighten. (Excessive force may damage the pipe.)

- Take care not to over-tighten the Union Nut. (The valve can be damaged.)

- Do not use the pipe wrench. (The valve can be damaged.)



- When installing pipes and valves, ensure that they are not subjected to tension, compression, bending, impact, or other excessive stress.
- When loosening the Union Nut, fix the End connector (hold it with your hand) and do work. (If the body cap turns, the union will turn together, resulting in the union and ball separating from the body.)

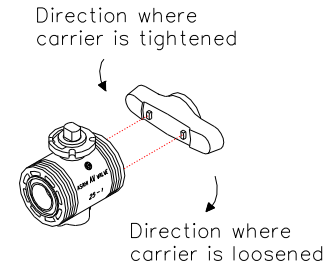
If the union is loosened, retighten the union.

- When installing, disassembling, or reassembling the piping, fix the End Connector.



- Before a water test, be sure that the Union Nut is tightly fastened.

- Fasten the Union Nut while avoiding the parallelism and axial misalignment of the flange surface.

- When connecting an ASAHI AV Valve to metal piping, take care not to let the pipe stress on the ASAHI AV Valve.



Flanged type (Material: PVC, C-PVC, PP, PVDF)



Caution   - Use flat faced flanges for connection to AV Valves.
 - Ensure that the mating flanges are of the same standards.
 - Be sure to use sealing gaskets (AV Gasket), bolts, nuts, and washers and tighten them to specified torques.
 (When a non-AV gasket is used, a different tightening torque instruction should be followed.)

Necessary items

- Torque wrench
- Spanner wrench
- AV gasket
- Bolt, Nut, Washer (For many flanges specification)

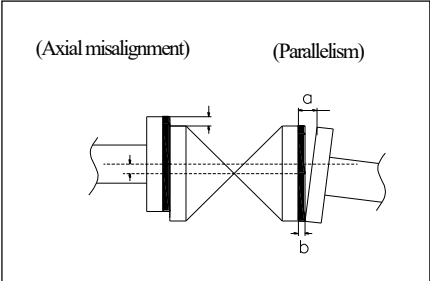
Procedure

- 1) Set the AV gasket between the flanges.
- 2) Insert washers and bolts from the pipe side, insert washers and nuts from the valve side, then temporarily tighten them by hand.



Caution   - The parallelism and axial misalignment of the flange surface should be under the values shown in the following table to prevent damage the valve.
 (A failure to observe them can cause destruction due to stress application to the pipe)

Unit : mm (inch)

Nom. Size	Axial Misalignment	Parallelism (a-b)
15-32mm (1/2"-1 1/4")	1.0 (0.04)	0.5 (0.02)
40-80mm (1 1/2"-3")	1.0 (0.04)	0.8 (0.03)
100mm (4")	1.0 (0.04)	1.0 (0.04)



- 3) Using a torque wrench, tighten the bolts and nuts gradually to the specified torque in a diagonal manner (Refer to fig.1.)

Caution   - Tighten the bolts and nuts gradually with a torque wrench to the specified torque level in a diagonal manner.

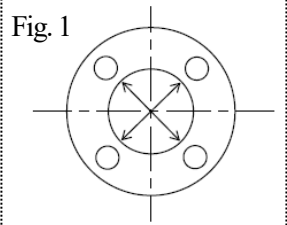


Fig. 1

Recommended torque value

Unit: N·m {kgf·cm} [lb·inch]

Nom. Size	15, 20mm (1/2"-3/4")	25-40mm (1"-1 1/2")	50, 65mm (2", 2 1/2")	80, 100mm (3", 4")
PTFE·PVDF coated	17.5 {179} [155]	20.0 {204} [177]	22.5 {230} [230]	30.0 {306} [266]
Rubber	8.0 {82} [71]	20.0 {204} [177]	22.5 {230} [230]	30.0 {306} [266]

*Be sure to set the union nut [5] when it was removed or loosen from body [1].

- 1) The o-ring(A) [8] should be set on surface of the end connector [4b].
- 2) The end connector [4b] must be put onto the carrier, then ensure that the o-ring(A) [8] is being between the end connector [4b] and the carrier.
- 3) Tighten the union nut [5] hardly with hand.
- 4) Screw the union nut [5] on the body [1] by quarter or half turn using a strap wrench without damaging it.

Threaded type (Material : PVC, C-PVC, PP, PVDF)



- Avoid excessive tightening. (The valve can be damaged.)

Caution



- Make sure that the threaded connections are plastic x plastic. (Metallic thread can cause damage.)

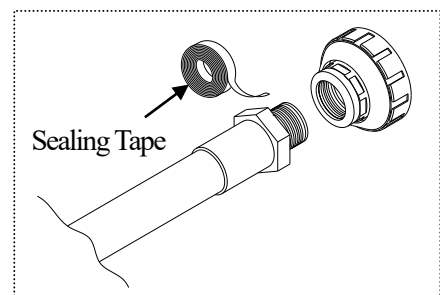
- Wrap the threaded joints on our plastic piping with sealing tape. Using a liquid sealing agent or liquid gasket may cause stress cracks (Environmental Stress Cracking). Our product warranty shall not apply in case of said use, even when said use is unavoidable.

Necessary items


- Sealing tape
- Strap wrench
- Spanner wrench


Procedure


- 1) Wind a sealing tape around the external thread of joint, leaving the end (about 3mm) free.
- 2) Loosen the union nut [5] with a strap wrench..
- 3) Remove the union nut [5] and the end connector [4d].
- 4) Tighten the external thread of the joint and the end connector [4] hardly with hand.
- 5) Using a spanner wrench, screw in the end connector [4] by turning 180° -360° carefully without damaging it.
- 6) Make sure that the O ring(A) [8] is mounted.
- 7) Set the end connector [4] and union nut [5] directly on the body without allowing the O ring (A) [8] to come off.
- 8) Tighten the union nut [5] hardly with hand.
- 9) Using a strap wrench, screw it in by turning 90° -180° carefully without damaging it.





Socket type (Material : PVC, C-PVC)

 - When using an adhesive, ventilate the space sufficiently, prohibit the use of a fire in the vicinity, and do not inhale adhesive vapors directly.

 - If an adhesive gets into contact with your skin, wash it off immediately. If you feel sick or find any anomaly, receive a physician's diagnosis and take appropriate measures promptly.

 - Take care in doing work at low temperatures. Solvent vapors are hard to evaporate and are likely to remain. (Solvent cracks may occur, damaging the equipment.) After assembling the piping system, open both ends of the piping and use a fan (of the Low-Voltage Type) or something similar to ventilate the space, thus removing the solvent vapors.

 - Do not apply more adhesive than necessary. (The valve can be damaged due to solvent cracking.)

 - Use the appropriate Asahi AV cement.

- Conduct a water test at least 24 hours after joining the pipes with an adhesive/cement.

Necessary items

- Adhesive for hard vinyl chloride pipes
- Strap wrench

Procedure

- 1) Loosen the union nut [5] with a strap wrench.
- 2) Remove the union nut [5] and end connector [4].
- 3) Lead the union nut through the pipe.
- 4) Clean the hub part of the end connector [4] by wiping the waste cloth.
- 5) Apply adhesive evenly to the hub part of the end connector [4] and the pipe spigot.

Adhesive quantity (guideline)

Nom. Size	15 (1/2")	20 (3/4")	25 (1")	32 (1 1/4")	40 (1 1/2")	50 (2")	65 (2 1/2")	80 (3")	100 (4")
Quantity(g)	1.0	1.3	2.0	2.4	3.5	4.8	6.9	9.0	13.0

- 6) After applying adhesive, insert the pipe quickly to the end connector [4] and leave it alone for at least 60 seconds.
- 7) Wipe away overflowing adhesive.
- 8) Make sure that O ring(A) [8] is mounted
- 9) Set the end connector [4] and union nut [5] directly on the body without allowing the O ring (A) [8] to come off.
- 10) Tighten the union nut [5] hardly with hand.
- 11) Using a strap wrench, screw it in by turning 90° -180° carefully without damaging it.

Socket type (Material : PP, PVDF)

Necessary items

- Strap wrench
- Sleeve welder or automatic welding machine
- User's manual for sleeve welder or automatic welding machine

Procedure

- 1) Loosen the union nut [5] with a strap wrench.
- 2) Remove the union nut [5] and the end connector [4].
- 3) Lead the union nut [5] through the pipe.
- 4) For the next step, refer to the user's manual for the sleeve welder or the automatic welding machine.
- 5) After welding, make sure that the O ring (A) [8] is mounted.
- 6) Set the end connector [4] and the union nut [5] directly without allowing the O ring (A) [8] to come off.
- 7) Tighten the union nut [5] hardly with hand.
- 8) Use a strap wrench, screw it in by turning 90° -180° carefully without damaging it.

(12) Support setting procedure



- Do not subject valve pump vibrations. (The valve may be damaged.)

Caution



- Set valve support on the valve.

Necessary items

● Spanner wrench

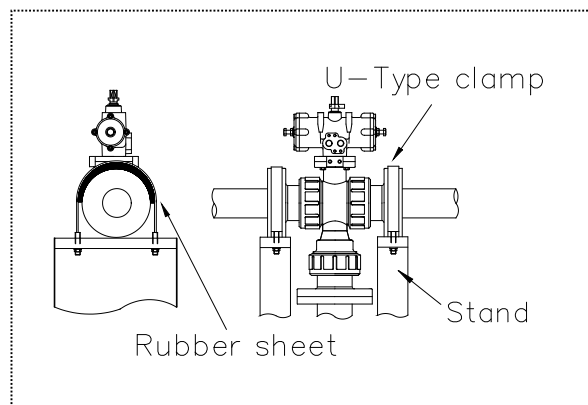
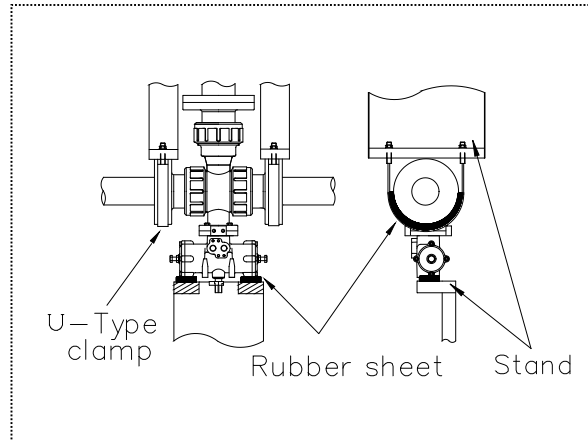
● U-type clamp (with bolt)

● Rubber sheet

Level installation

Spread the rubber sheet on the pipe and secure with U-type clamp.

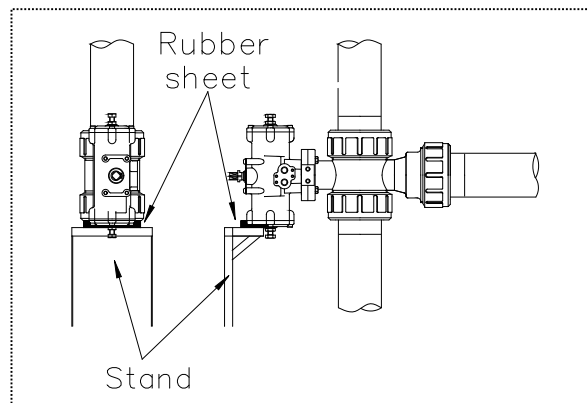
In case that the actuator is under the pipe, attach the rubber seat under the pipe, then set the stand.



Perpendicular installation

Spread the rubber sheet under the actuator, then set the stand.

Spread the rubber sheet on the pipe and secure with U-type clamp.



(13) Air piping procedure

For a standard type and an attached speed controller type



Caution

- Do not remove a dust-proof cap provided to piping port before piping work starts.
- Avoid excessive tightening. (The threaded area of a pipe can be damaged.)



- Check the connection locations, air pipe sizes, and screw types with the approved drawings and other documents for the product. Then lay the air piping.
- The operating fluid must be clean air filtered through a pertinent air filter.
- If the actuator is used in an environment below 5°C temperature, its operating fluid must be free from the water and moisture contained in it because of possible problems due to the freeze.
- Steel pipes must always be of the plated.
- Before installing an actuator in pipeline, flash the inside of pipeline completely.
- Do not apply a sealant excessively lest it fall off in the pipeline when an actuator is piped.
- Threaded area of a pipe must be free from the sharp edges and burr.

Necessary items

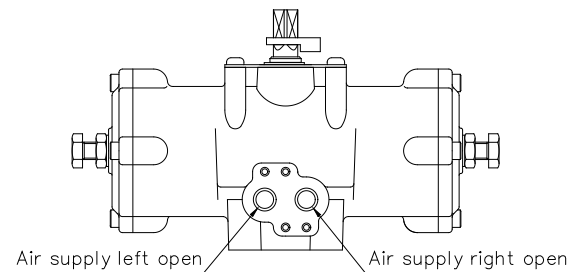
- Spanner wrench
- Seal tape
- Steel pipe or tube for piping
- Joint for steel pipe or tube

Procedure

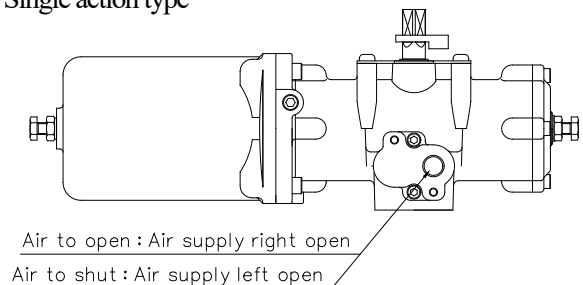
- 1) Wind a seal tape onto the male screw of the joint with a blank about 3mm (about 2 threads) left at the end.
- 2) Screw the joint in the piping female screw of the actuator by hand fully.
- 3) Screw the joint one turn with a spanner wrench.
 - * Avoid excessive tightening.
 - (The valve can be destroyed.)
- 4) Mount a steel pipe or a tube.

*The diagrams left are without speed controllers, however, air piping procedure is the same way as above.

Double action type



Single action type



◁> For a pressure reducing valve with a solenoid valve and a pressure reducing valve with a filter.



Caution



- Do not remove a dust-proof cap provided to piping port before piping work starts.
- Avoid excessive tightening. (The threaded area of a pipe can be damaged.)
- Steel pipes must always be of the plated.
- Before installing an actuator in pipeline, flash the inside of pipeline completely.
- Do not apply a sealant excessively lest it fall off in the pipeline when an actuator is piped.
- Threaded area of a pipe must be free from the sharp edges and burr.
- Avoid excessive tightening. (The threaded area of a pipe can be damaged.)
- Solenoid valve-A speed controller adjusts and fasten a lock nut by open ended spanners.
- Open the drain periodically in order to exhaust the deposit.
- The equipment must be used at a pressure below the maximum operating pressure specified for the product.

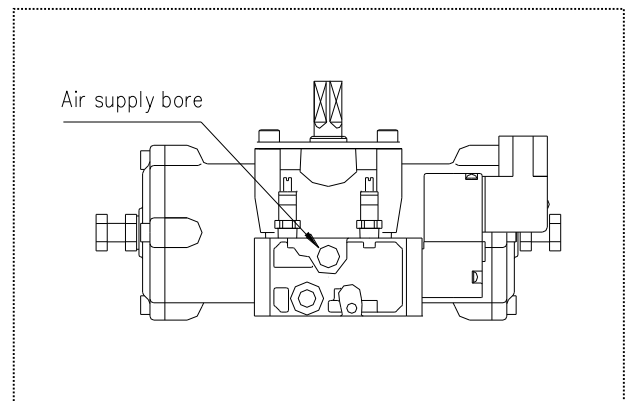
Necessary items

- Spanner wrench
- Seal tape
- Steel pipe or tube for piping
- Joint for steel pipe or tube

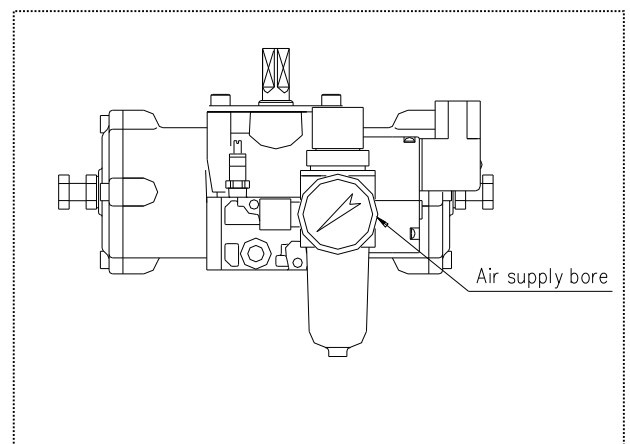
Procedure

- 1) Wind a seal tape onto the male screw of the joint with a blank about 3mm (about 2 threads) left at the end.
- 2) Screw the joint in the piping female screw of the actuator by hand fully.
(Refer to fig.1, 2)
- 3) Screw the joint one turn with a spanner wrench.
* Avoid excessive tightening.
(The valve can be damaged.)
- 4) Mount a steel pipe or a tube.




(Fig.1) Solenoid valve



(Fig.2) Solenoid valve, Pressure reducing valve with filter



(14) Connection of limit switch procedure

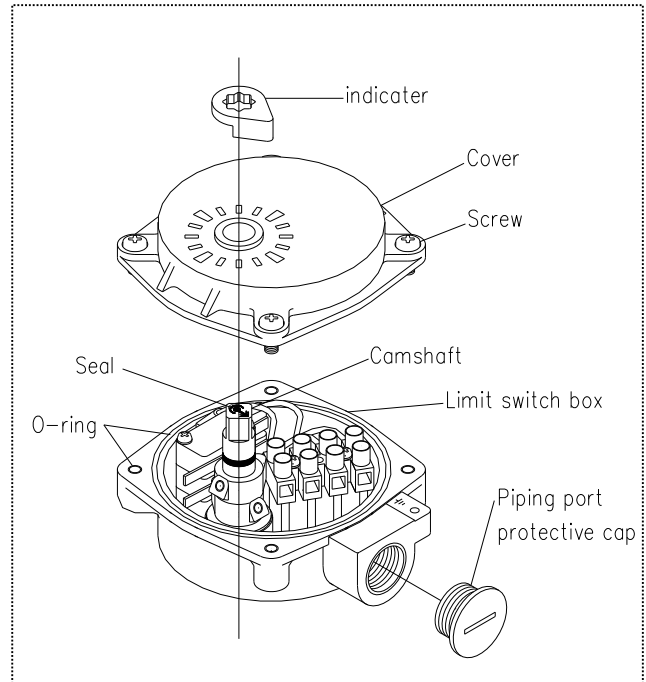
- Warning**  - Shut down the power on the equipment before connecting wires. There are risks of electrical shock depending on the level of operating voltage.
- Caution**  - Be sure that the cover are put on during the operation.
-  - Connect the cables by using insulated sheathed crimping terminals in such a way as not to contact the cover or housing. (Contact of a crimping terminal with the cover may disable the cover from being closed or may cause a ground fault.)
- If you use the limit switch at 1mA-100mA or 5-30V, consult near Asahi dealer.
 - Be sure that the terminal cover and body cover are put on during the operation.

Necessary items

- Screw driver (+)
- Screw driver (-)
- Connector (G1/2)
- Wire stripper

Procedure

- 1) Remove the indicator.
- 2) Remove the fixed screws from casing using screw driver (+).
* Don't be missing the o ring of case end.
- 3) Turn to counter clockwise and remove the the piping port protective cap.
- 4) Draw the cable through the connector.
- 5) Strip the cable with wire stripper.
- 6) Connect the cable to terminal board with a screw driver (-) in accordance page 5.
* Tighten up the screws.
(Short circuit or shocks may occur.)
- 7) Tighten the connector to fix the cable.
- 8) The screws must be tightened in turn after set the casing with screws driver (+)
* Be sure to set a o-ring when the casing is re-set.
(Short circuit or shocks may occur.)
- 9) Inset the indicator to the upper camshaft which must be set same direction of the seal's arrow.



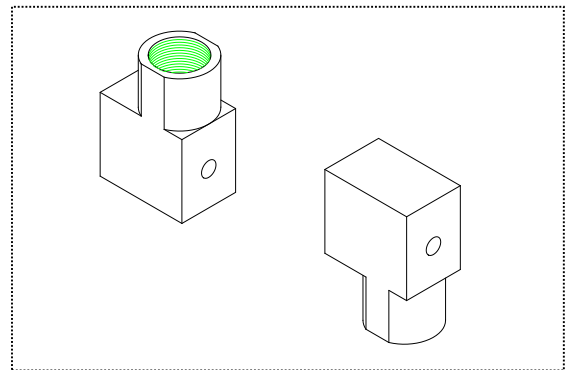
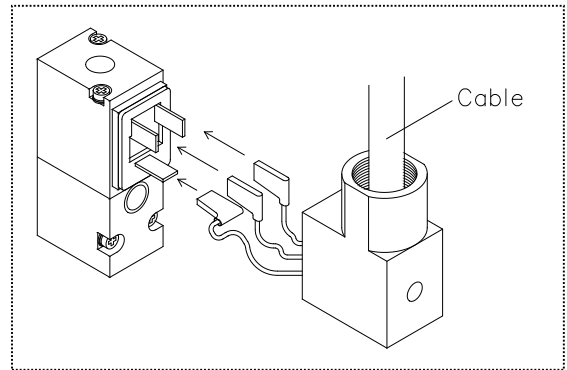
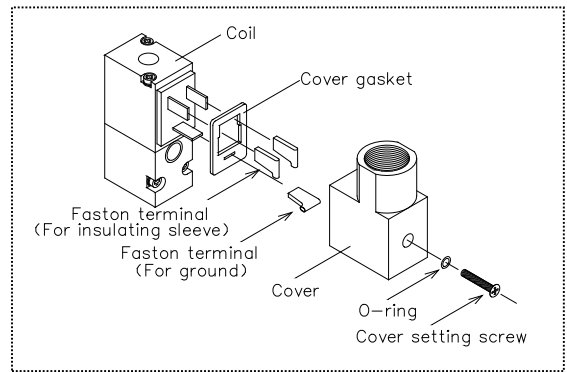
(15) Connection of solenoid valve procedure

- Caution**
- ⚠️ - Go after you surely interrupt a power supply when you do the installation of the terminal base line is combined.
 - ⚠️ - Solenoid valve- A speed controller adjusts and fasten a lock nut by open ended spanners.
 - Make sure of the agreement between the power voltage indicate on the solenoid valve and the voltage wiring to be done. (Wiring with wrong voltage may cause the failure in the solenoid unit.)

- Necessary items**
- Terminal crimping tool
 - Connector (G1/2)
 - Screw driver (+)
 - Wire stripper



Procedure

- 1) Loosen the hexagon socket head cap screws, and remove the cover.
 - * Don't loose O ring.
 - (If not, electric leaks or shocks may occur.)
- 2) Remove the Faston terminal inserted into coil side and the insulating sleeve.
 - Insulating sleeve isn't attached in Faston terminal.
- 3) Draw the cable through the connector to the cover.
- 4) Strip the cable with wire stripper.
- 5) Draw the lead wire through the cover.
- 6) Install the Faston terminal on the lead wire with a terminal-crimping tool.
- 7) Insert the Faston terminal into the coil side. And fit the cover.
- 8) Tighten the cover setting screws to fix it.
 - (The cover can be set with the wire extraction opening turned upward or downward.)
- 9) Tighten the cable by connector.



(16) Operating procedure

Manual Operating Procedure

-  - Don't supply air during manual operation.
 (When air is supplied during the manual operation, you may be injured.)
-  - In case of solenoid valve mounted, open the bypass valve to make atmospheric pressure in the actuator. (It can't do Manual operation.)

○Double action type

Necessary items

- Spanner wrench or lever handle (option).

Procedure

- 1) Attach the lever handle (option) or spanner wrench to the output shaft in the upper part of the actuator, and turn the handle 1-2 times between left side open and right side open.

Right turn (clock wise) → Left side open

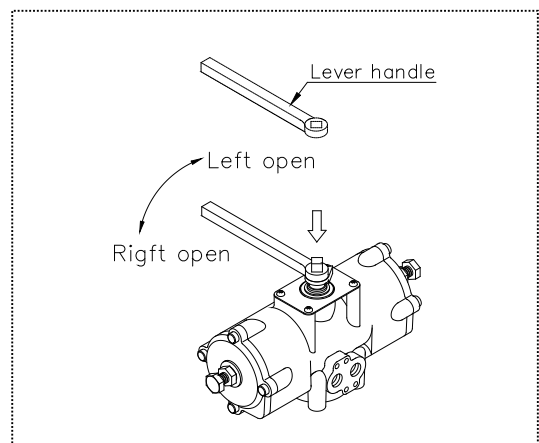
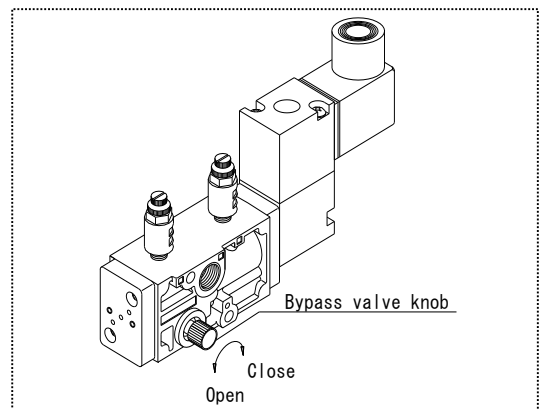
Left turn (counter clock wise) → Right side open

- * Do not turn the lever handle (option) or spanner forcibly at the right and left full operating positions.
(If not, a trouble will develop.)



- 2) Set the valve in the left side opened or right side opened position, and removes the lever handle or spanner from the output shaft in the upper part of the actuator.



- * In case of solenoid valve mounted, shut the bypass valve.
(If not, a trouble will develop.)

For solenoid valve



Manual Operating Procedure



 - Don't supply air during manual operation.
 Warning (When air is supplied during the manual operation, you may be injured.)



 - Do not turn the handle forcibly at full operating positions. (If not, a trouble will develop.)
 Caution

○ Single action type

Necessary items

- Spanner wrench
- Manual operation unit (option)

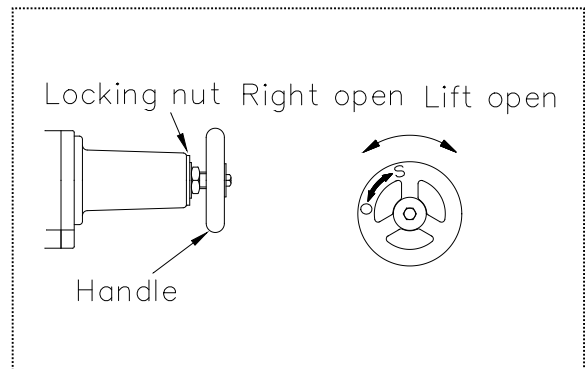
Nominal size	Manual operation unit
15-25mm (1/2"-1")	×
32-100mm (1 1/4"-4")	○

* Only for the actuator which is the manual operation with groove.

Procedure

- 1) Loosen the locking nut with spanner wrench.
- 2) Turn the round handle for manual operation 1-2 times between left open and right open.

Rotational direction of round handle	Air to open type	Air to close type
Clockwise	Left open	Right open
C-Clockwise	Right open	Left open





Manual operation unit

Nominal size	15-50mm (1/2"-2")	65-100mm (2 1/2"-4")
Manual operation unit	About 24	About 27

- 3) Turn right the round handle to the full open or full close.
 * Do not turn the handle forcibly at full operating positions.
 (If not, a trouble will develop.)
- 4) Tighten the locking nut with spanner wrench.

Automatic (Air) Operating Procedure

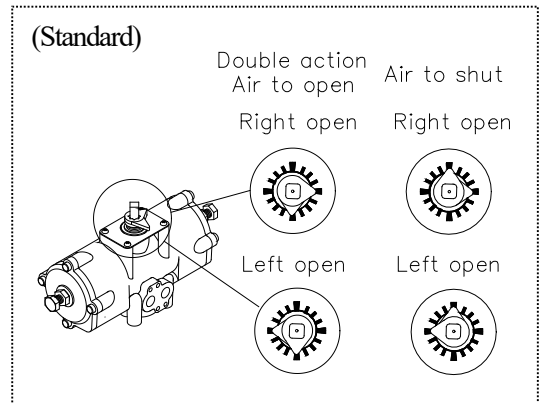
 - Make sure that the manual handle (option) or spanner is not attached to the output shaft in the upper part of the actuator securely.
(If not, the manual handle (option) or spanner will be flown by the rotation of the output shaft and the manual handle (option) or spanner may injure you.)

 - Keep air supply pressure from a compressor at least 0.4 MPa (4.1kgf/cm²).
(Actuator may not work normally.)

Procedure

- 1) Supply the air to the air supply bore.
- 2) Check the valve indicating direction and the operating direction accord with each other.
- 3) Stop supplying air.

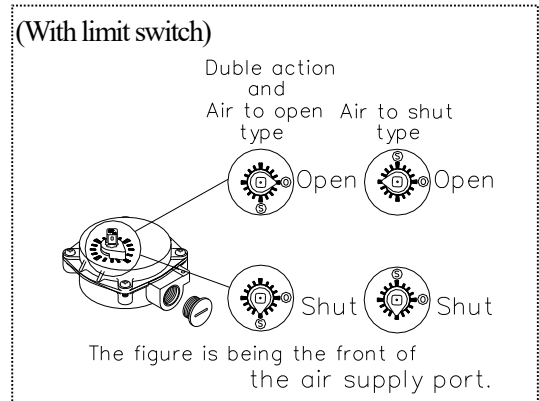
Opening indicator



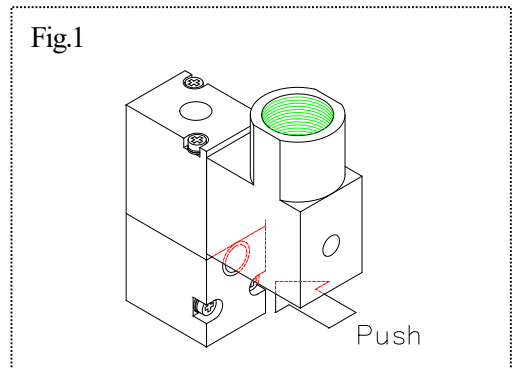
<For the solenoid valve >

Procedure

- 1) Supply the air to the solenoid valve.
- 2) Push the button (fig.1) with a finger, and confirm the action mode shown in the following table.
- 3) Apply regular rated voltage to the solenoid valve, and confirm the action mode shown in the following table.
- 4) Turn off the solenoid valve



Push button	Current	Double action Air to open	Air to close
Pushed	On	Right open	Left open
Not pushed	Off	Left open	Right open



Adjustment of opening / closing speed procedure



Warning

- Solenoid valve-A speed controller adjusts and fastens a lock nut by open ended spanners.

○ Double action type

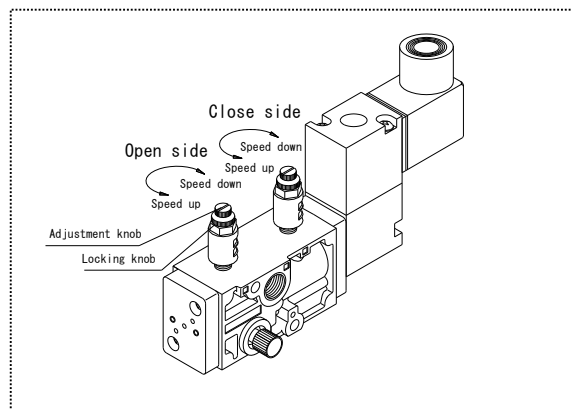
Necessary items

- Spanner wrench

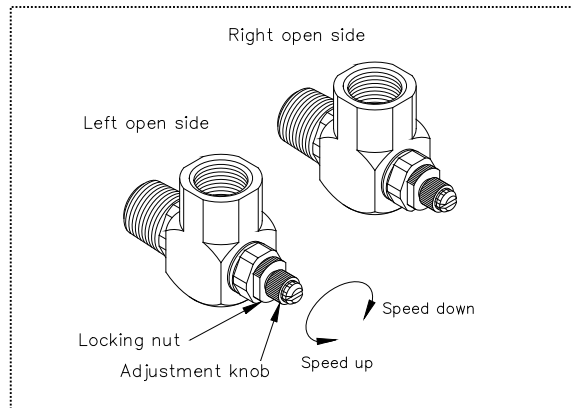
Procedure

- 1) Release the adjustment knob of the solenoid valve by turning the locking nut left with a spanner wrench, holding the two adjustment knobs (left open side and right open side) of the speed controller with fingers.
- 2) Turn right the adjustment knob of the solenoid valve fully.
* Avoid excessive tightening.
(The speed controller can be damaged.)
- 3) Supply the air to the solenoid valve.
- 4) Apply regular rated voltage to solenoid valve, and turn the open side adjustment knob of the speed controller left little by little.
- 5) Turn off the solenoid valve, and turn left the close side adjustment knob little by little.
- 6) Repeat item 4), 5) to adjust the opening / closing speed required.
- 7) When the adjustment is finished, fix the adjustment knob by turning locking nuts right with a spanner, holding the adjustment knobs with fingers.
* Avoid excessive tightening.
(The locking nut can be damaged.)


For Double action type with solenoid valve



For Double action type with speed controller



Adjustment of opening / closing speed procedure

 - Solenoid valve-A speed controller adjusts and fastens a lock nut by open ended spanners.
Warning

○ Single action type

Necessary items
● Spanner wrench

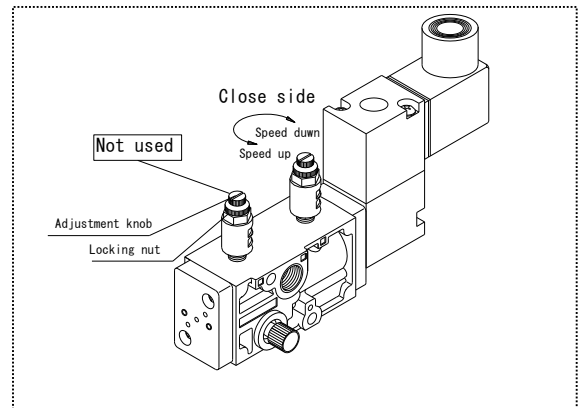
The actuation type changes the speed-adjustable direction.

Single action	Right opening Speed	Left opening speed
Air to open type	Not adjustable	Adjustable
Air to close type	Adjustable	Not adjustable

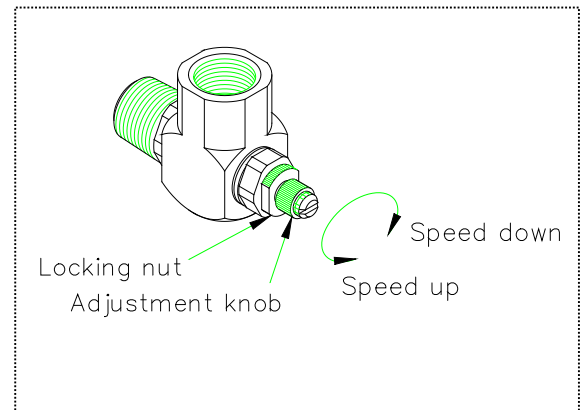
Procedure

- 1) Release the adjustment knob of the solenoid valve by turning the locking nut left with a spanner wrench, holding the right adjustment knob of the speed controller with a finger.
- 2) Turn right the adjustment knob of the solenoid valve fully.
* Avoid excessive tightening.
(The speed controller can be damaged.)
- 3) Confirm the air supplied.
- 4) Apply regular rated voltage to solenoid valve, turn off the solenoid valve, and turn the adjustment knob left little by little to adjust the speed.
- 5) When the adjustment is finished, fix the adjustment knob by turning locking nuts right with a spanner, holding the adjustment knob with fingers.
* Avoid excessive tightening.
(The locking nut can be damaged.)





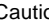
For Single action type with solenoid valve



For Single action type with speed controller



(17) Adjustment face pressure between ball and seat

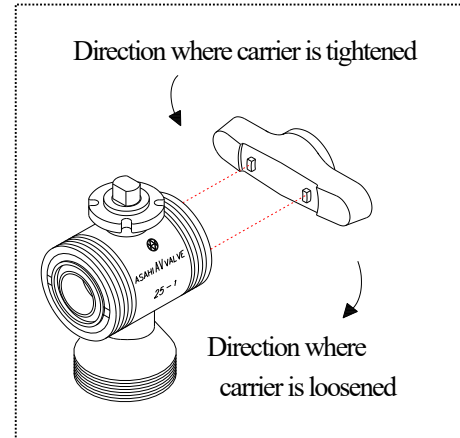
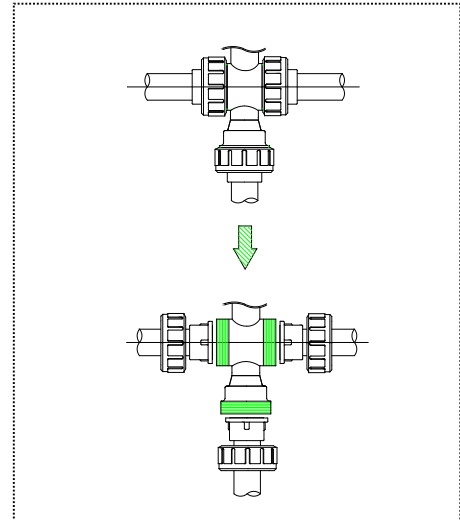
-   - Wear protective gloves and safety goggles as fluid remain in the valve even if the pipeline is empty. (You may be injured.)
-   - Take care not to over-tighten the Union Nut. (The valve can be damaged.)
-  - Do not use the pipe wrench. (The valve can be damaged.)

Necessary items






- Strap wrench
- Wrench
- Safety goggles
- Protective gloves
- Handle (manual operating; option)

Procedure

- 1) Completely discharge fluid from pipes.
- 2) Shut the main air valve, and open the bypass valve to discharge air from the actuator.
- 3) Turn off the power source of solenoid valve. (Only solenoid valve)
- 4) Loosen three union nuts [5] with a strap wrench.
- 5) Remove the body part from piping system.
- 6) Loosen the bolt (B) [27] with a spanner wrench, and remove the body part.
* Memorize both opening degree of boll [2] and actuator [23].
- 7) Adjustment the right union; Open the left side fully when viewed from the trademark (AV mark).
Adjustment the left union; Open the right side fully when viewed from the trademark (AV mark).
- 8) Engage the upper convex part of the handle with the concave part of the union.
- 9) Make an adjustment by turning the union clockwise (to tighten it) or counter clockwise (to loose it).
- 10) Assemble the valve by following the above procedure in the reverse order, starting at 6)



(18) Disassembling method for replacing parts

- Warning**   - Be sure to conduct a safety check on all hand and power tools to be used before beginning work.
- Wear protective gloves and safety goggles as fluid remain in the valve even if the pipeline is empty.
(You may be injured.)
- Caution**   - Do not change or replace valve parts under line pressure.
- Take care not to over-tighten the Union Nut. (The valve can be damaged.)
- When installing, disassembling, or reassembling the piping, fix the End Connector.
-  - Before a water test, be sure that the Union Nut is tightly fastened.
- Fasten the Union Nut while avoiding the parallelism and axial misalignment of the flange surface.
- When connecting a ASAHI AV Valve to metal piping, take care not to let the pipe stress on the ASAHI AV Valve.

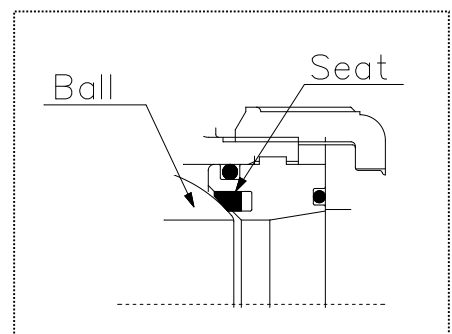
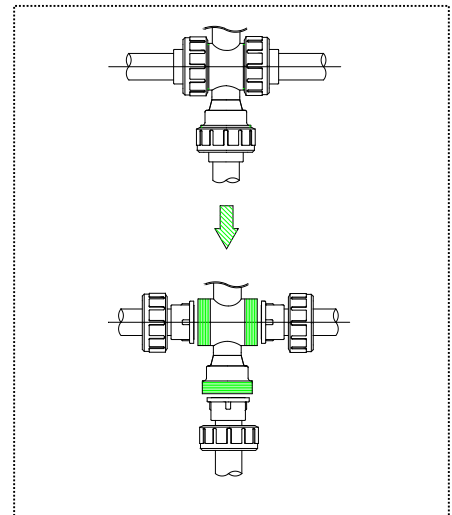
Necessary items

- Strap wrench
- Allen Wrench
- Safety goggles
- Wrench
- Protective gloves
- Handle (manual operating; option)

<Disassembly>

Procedure

- 1) Completely discharge fluid from pipes.
- 2) Shut the main air valve, and open the bypass valve to discharge air from the actuator.
- 3) Turn off the power source of solenoid valve. (Only solenoid valve)
- 4) Loosen the union nuts [5] with a strap wrench.
- 5) Remove the body from the piping system.
- 6) Loosen the nut and bolt (B) [27] with a spanner wrench, and remove stand [24] from the top flange.
- 7) Loosen the bolt (A) [26] between the actuator [23] and the stand and remove the actuator [23].
- 8) Loosen set screw [28] with an allen wrench, and remove joint [25] from stem [6].
- 9) Engage the upper convex part of the handle with the concave part of the union [3]. (Refer to page 24)
- 10) In the engaged state, turn the handle to loosen it and remove the union [3]. (Refer to page 24)
- 11) Remove the union at the other side as the same way as 9), 10).
- 12) Remove the seat [7] carefully by hand without damaging it.
- 13) In case of the air to close type, open to left fully.
- 14) Push out the ball [2] hand.
- 15) Push out the stem [6] from the top flange side to the body side.



<Assembly>



Procedure

Carry out the assembly work in the reverse procedure from item 15)

* With regard to item 12), before installing seat [7] the valve, check the seat for its face and back.

Depression side = engagement with ball (Refer to page 4.)

(19) Inspection items

  - Perform periodic maintenance. (Leakage may develop due to temperature changes or over periods of prolonged storage, rest or operation.)

○Periodically inspect and maintain the AV valve in accordance with the decided schedule.



Portion to be inspected	Inspection item
Actuator	<ul style="list-style-type: none"> ① Existence of rust , peeling of paint, and corrosion around the actuator. ② Tightening condition of respective threaded portions. (Loose or not) ③ Existence of abnormality in opening and closing operating sounds. ④ Smooth operation of manual handle. <p>*It is unnecessary to supply oil to this actuator.</p>
Stand	<ul style="list-style-type: none"> ① Tightening condition of Bolt (A) [26] and Bolt Nut (B) [27].
Valve	<ul style="list-style-type: none"> ① Existence of scratches, cracks, deformation, and discoloring. ② Existence of leakage from the valve to the outside.

(20) Troubleshooting

Problem	Cause	Treatment
The handle is not (can't be) turned when the valve is operated manually.	The valve has already been opened fully.	Turn the handle in the reverse direction. (Refer to page 19.)
	The air is supplied to actuator.	Shut the main air valve, and open the bypass valve.
	Foreign matter is in the valve.	Disassemble the valve to remove foreign matter. (Refer to page 9-14, 25.)
	The torque of the valve is increased by the piping stress.	Remove the piping stress.
	The torque is increased by the influence (temperature, components, pressure) of fluid on the valve.	Check service condition. (Refer to page 5)
The valve does not operate by air operations	The power source of the control panel is turned off.	Turn on the power source.

Problem	Cause	Treatment
The valve does not operate by air operations.	The solenoid valve is disconnected.	Check the connection again. (Refer to page 18.)
	The air is not supplied to actuator.	Supply the air.
	The supply voltage to the solenoid valve is wrong.	Check the voltage with a tester and set specified voltage.
	The voltage to the solenoid valve is low.	
	The bypass valve is opened.	Turn the knob of the bypass valve right to close. (Refer to page 19.)
	Adjustment knob of speed controller is turned right fully.	Turn the adjuster knob left.
	Foreign matter is in the valve.	Disassemble the valve to remove foreign matter. (Refer to page 25.)
	The torque of the valve is increased by the piping stress.	Check service condition. (Refer to page 5.)
	The torque is increased by the influence (temperature, components, pressure) of fluid on the valve.	
Fluid leaks from the valve even when the valve is closed fully.	The carrier is loosened.	Adjust the face pressure between the ball and the seat. (Refer to page 24.)
	The seat is worn.	Replace the seat with a new one. (Refer to page 25.)
	The seat and ball are scratched.	Replace the scratched seat and ball with new ones.
	Foreign matter is in the valve.	Discharge the foreign matter from the valve by opening and closing the valve several times.
Fluid leaks from the valve.	The union nut is loosened.	Tighten up the union nut.
	The O ring is scratched or worn.	Replace the O ring with a new one. (Refer to page 25.)
	The O ring is projected from the groove.	
	The sliding face or the fixed face of the O ring is scratched or worn.	Replace the sliding face or the fixed face with a new one. (Refer to page 25.)
The actuator operates, but the valve not open or close.	The Stem or the joint is broken.	Replace the stem or the joint with a new one. (Refer to page 25.)
	The engagement between the stem and the ball is broken.	Replace the engagement with a new one. (Refer to page 25)

(21) Handling of residual and waste materials

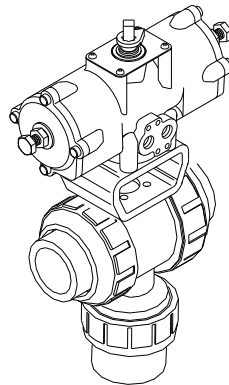


 - Make sure to consult a waste treatment dealer for recommendations on the proper disposal of plastic valves. (Poisonous gas is generated when the valve is burned improperly.)

Warning

**3-Way Ball Valve
Type23
Pneumatic Actuated Type TA**

[Automatic Valve]

ASAHI YUKIZAI CORPORATION



Distributor

<http://www.asahi-yukizai.co.jp/en/>

Information in this manual is subject to change without notice.

2020.2