

Serial No.	H-A011-E-9
------------	------------

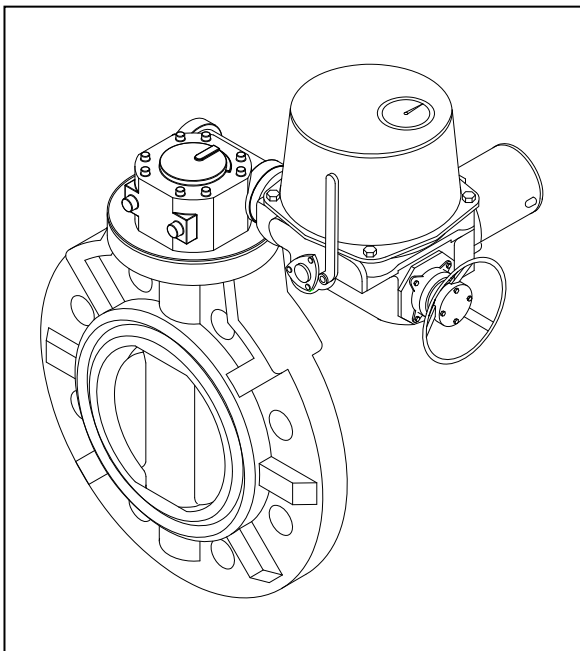
Butterfly Valves

Electric Actuated Type S

Contents

- Type 75 } Nominal Size: 450-600mm (18"-24")
Body Material: PP, PVDF
- Type 75D } Nominal Size: 450-600mm (18"-24")
Body Material: PDCPD



User's Manual





- (1) Be sure to read the following warranty clauses of our product 1
- (2) General operating instructions 2
- (3) General instructions for transportation, unpacking and storage 3
- (4) Name of parts 4
- (5) Working pressure vs. temperature 5
- (6) Specifications of actuator 6
Wiring diagram 7
- (7) Installation procedure 8
- (8) Support setting procedure 10
- (9) Electric wiring procedure 11
- (10) Operating procedure 12
Manual operating procedure 13
Motor-driven operating procedure 13
- (11) Disassembling method for replacing parts 14
- (12) Adjustment limit switch 16
- (13) Inspection items 17
- (14) Troubleshooting 18
- (15) Handling of residual and waste materials 19

This user's guide contains information important to the proper installation, maintenance and safe use of an ASAHI AV Product. Please store this manual in an easily accessible location.

<Warning & Caution Signs>

 Warning	This symbol reminds the user to take caution due to the potential for serious injury or death.
 Caution	This symbol reminds the user to take caution due to the potential for damage to the valve if used in such a manner.

<Prohibited & Mandatory Action Signs>

	Prohibited: When operating the valve, this symbol indicates an action that should not be taken.
	Mandatory action: When operating the valve, this symbol indicates mandatory actions that must be adhered to.

(1) Be sure to read the following warranty clauses of our product

- Always observe the specifications of and the precautions and instructions on using our product.
- We always strive to improve product quality and reliability, but cannot guarantee perfection. Therefore, should you intend to use this product with any equipment or machinery that may pose the risk of serious or even fatal injury, or property damage, ensure an appropriate safety design or take other measures with sufficient consideration given to possible problems. We shall assume no responsibility for any inconvenience stemming from any action on your part without our written consent in the form of specifications or other documented approval.
- The related technical documents, operation manuals, and other documentation prescribe precautions on selecting, constructing, installing, operating, maintaining, and servicing our products. For details, consult with our nearest distributor or agent.
- Our product warranty extends for one and a half years after the product is shipped from our factory or one year after the product is installed, whichever comes first. Any product abnormality that occurs during the warranty period or which is reported to us will be investigated immediately to identify its cause. Should our product be deemed defective, we shall assume the responsibility to repair or replace it free of charge.
- Any repair or replacement needed after the warranty period ends shall be charged to the customer.
- The warranty does not cover the following cases:
 - (1) Using our product under any condition not covered by our defined scope of warranty.
 - (2) Failure to observe our defined precautions or instructions regarding the construction, installation, handling, maintenance, or servicing of our product.
 - (3) Any inconvenience caused by any product other than ours.
 - (4) Remodeling or otherwise modifying our product by anyone other than us.
 - (5) Using any part of our product for anything other than the intended use of the product.
 - (6) Any abnormality that occurs due to a natural disaster, accident, or other incident not stemming from something inside our product.

(2) General operating instructions



Warning



- Do not disassemble or remodel the actuator.

- Do not operate the manual override while the actuator is energized.



- Keep hands and other extremities away from moving parts under all circumstances.

(Any such practice may get your hand, arm, or other part of your body caught.)

- Using a positive-pressure gas with our plastic piping may pose a dangerous condition due to the repellent force particular to compressible fluids even when the gas is under similar pressures used for liquids. Therefore, be sure to take the necessary safety precautions such as covering the piping with protective material. For inquiries, please contact us. For conducting a leak test on newly installed piping, be sure to check for leaks under water pressure. If absolutely necessary to use a gas in testing, please consult your nearest service station beforehand.

- Before using the product, check the operating power supply and the voltage specification on the nameplate. Using an improper voltage may cause equipment damage or malfunction.



Caution



- Do not step on or apply excessive weight on valve. (It can be damaged.)

- Do not use AV valves in a place where they may become submerged in water.

- Do not apply a great impact or vibration to the actuator. (Any such practice may result in breakdown.)

- Do not use the valve in conditions where the fluid may have crystallized.

(The valve will not operate properly.)



- Keep the valve away from excessive heat or fire. (It can be damaged, or destroyed.)

- Avoid locations with corrosive gas or otherwise bad atmospheres. Install a cover or something similar that covers the entire area.

- Always operate the valve within the pressure vs. temperature range.

(The valve can be damaged or deformed by operating beyond the allowable range.)

- Allow sufficient space for maintenance and inspection.

- Select a valve material that is compatible with the media. For chemical resistance information, refer to "CHEMICAL RESISTANCE ON ASAHI AV VALVE".

(Some chemicals may damage incompatible valve materials.)

- Keep the valve out of direct sunlight, water and dust. Use cover to shield the valve.

(The valve will not operate properly.)

- Perform periodic maintenance. (Leakage may develop due to temperature changes or periods of prolonged storage, rest, or operation.)

- When installing a valve, provide an appropriate support. (Lack of such a support may cause the valve and piping to be overstrained, resulting in damage or other defect.)

- In the case of malodor, overheating, or smoking, turn off the power supply immediately. (Continued use despite an abnormality present may result in a fire. If you detect any abnormalities, be sure to consult the dealership where you bought the product or our service station nearest your premises and ask them to perform an inspection.)

- For manual operation, be sure to use the handle furnished with the product by the manufacturer.

- When using the product in explosive atmosphere, ensure that the actuator complies with the explosion-proof specifications required for that area.

- Keep the ambient temperature of the installed location within the range -5°C and 55°C.

- If the product is not water-resistant, do not leave the actuator in soil, sand, or water.

(3) General instructions for transportation, unpacking and storage



- When suspending and supporting a valve, take care and do not stand under a suspended valve.

Warning



- This valve is not designed to handle impacts of any kind. Avoid throwing or dropping the valve.

Caution

- Avoid scratching the valve with any sharp object.

- Do not over-stack cardboard shipping boxes. Excessively stacked packages may collapse.

- Avoid contact with any coal tar creosote, insecticides, vermicides or paint.

(The force of swelling may damage the valve.)

- When transporting a valve, do not carry it by the handle.



- Store products in their corrugated cardboard boxes. Avoid exposing products to direct sunlight, and store them indoors (at room temperature). Also avoid storing products in areas with excessive temperatures. (Corrugated cardboard packages become weaker as they become wet with water or other liquid. Take care in storage and handling.)

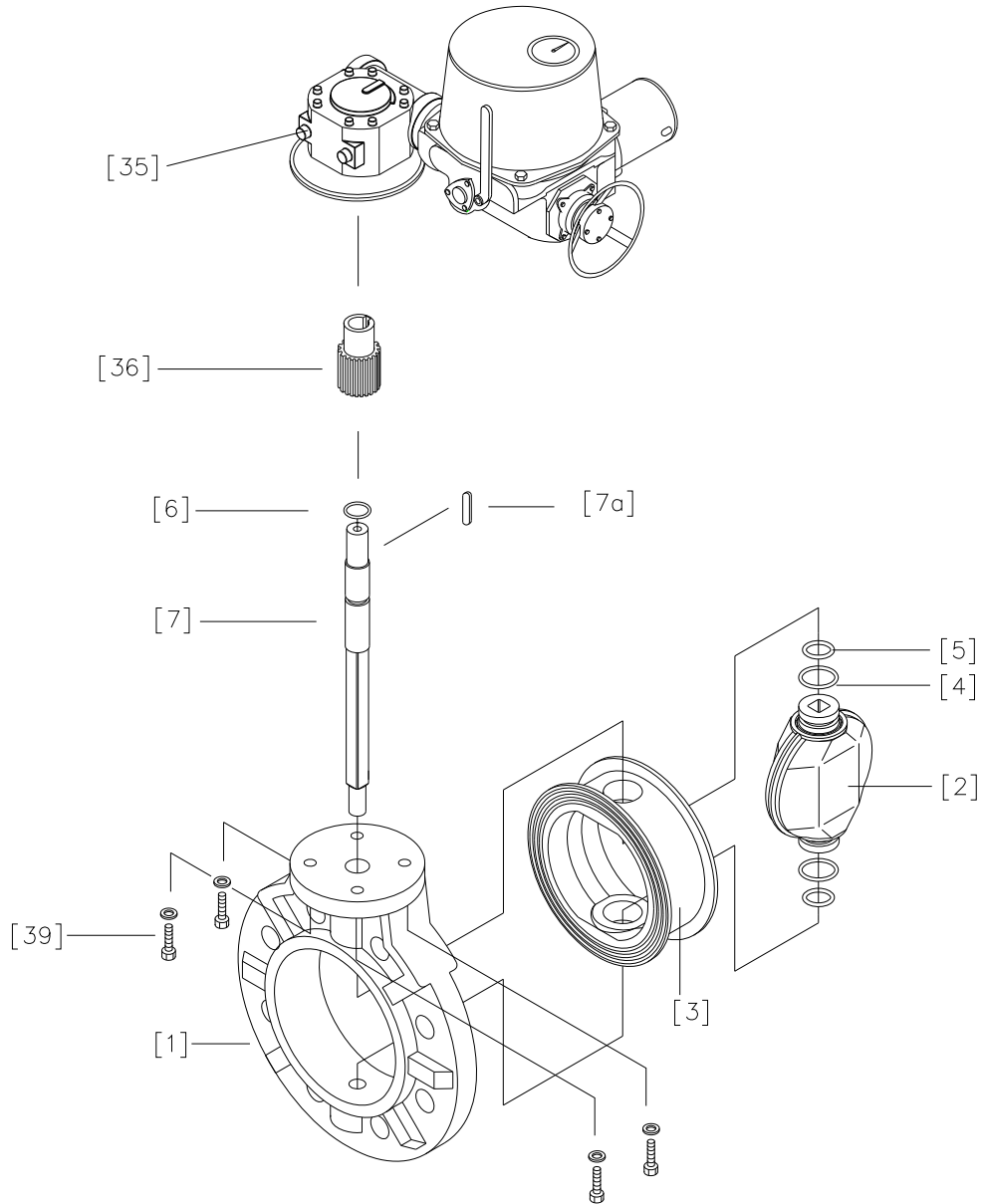
- After unpacking the products, check that they are defect-free and meet the specifications.

(4) Name of parts

Type 75, 75D: 450-600mm (18"-24")

Body material: PP, PVDF, PDCPD*

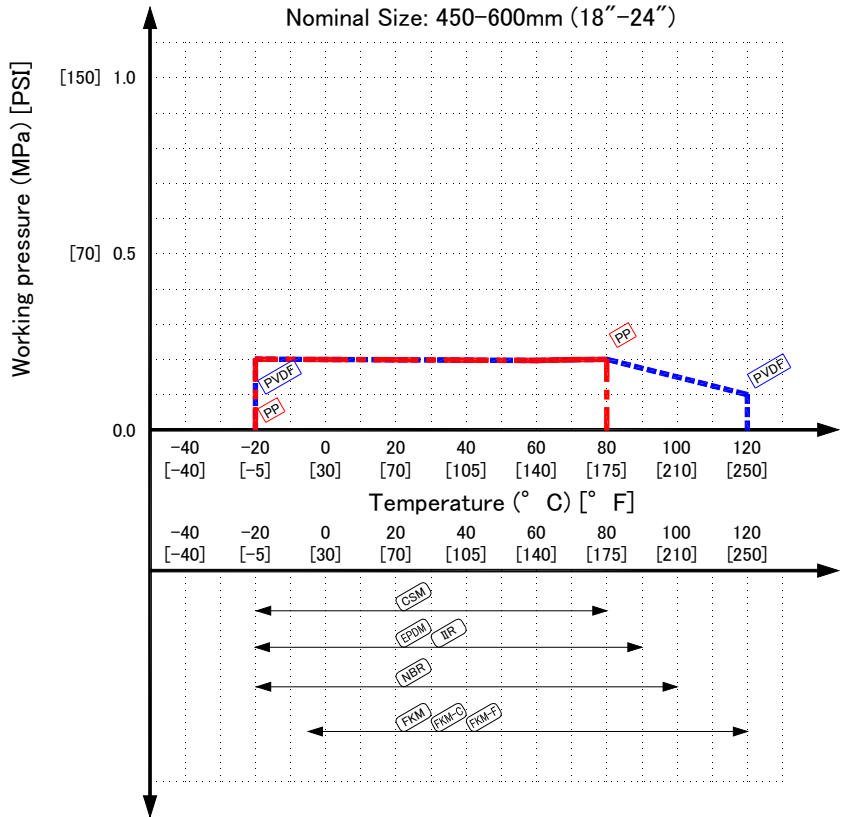
*Body material PDCPD (type 75D) is different from the drawing below.



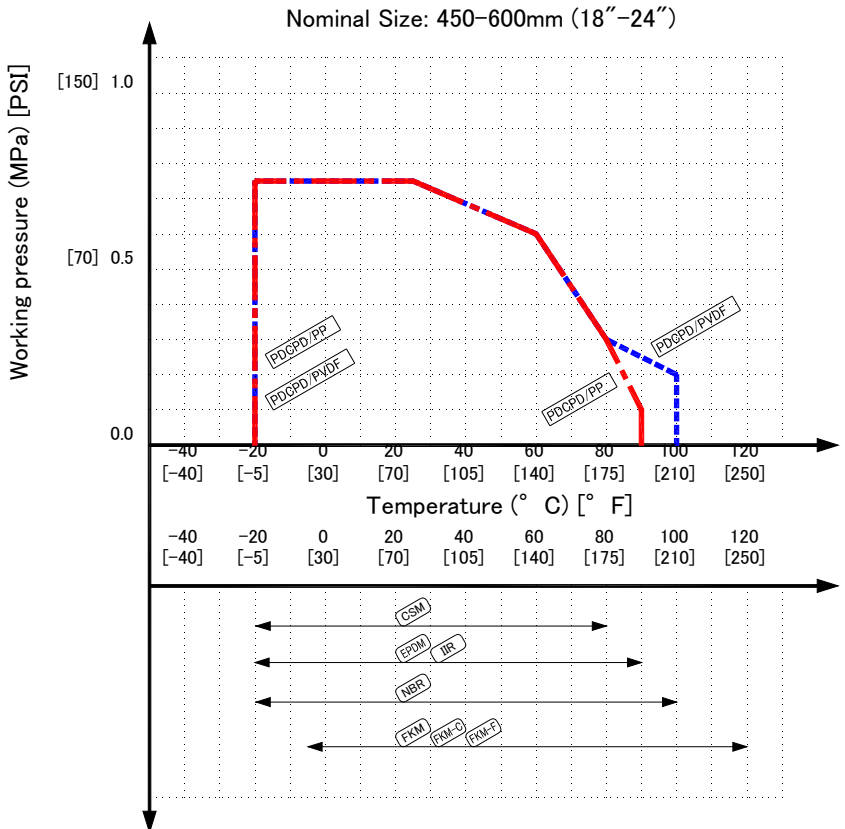
No.	DESCRIPTION	No.	DESCRIPTION	No.	DESCRIPTION
[1]	Body	[5]	O-ring (B)	[35]	Actuator
[2]	Disc	[6]	O-ring (C)	[36]	Stem bush
[3]	Seat	[7]	Stem	[39]	Bolt (k)
[4]	O-ring (A)	[7a]	Key (A)		

(5) Working pressure vs. temperature

BUTTERFLY VALVE TYPE 75



BUTTERFLY VALVE TYPE 75D



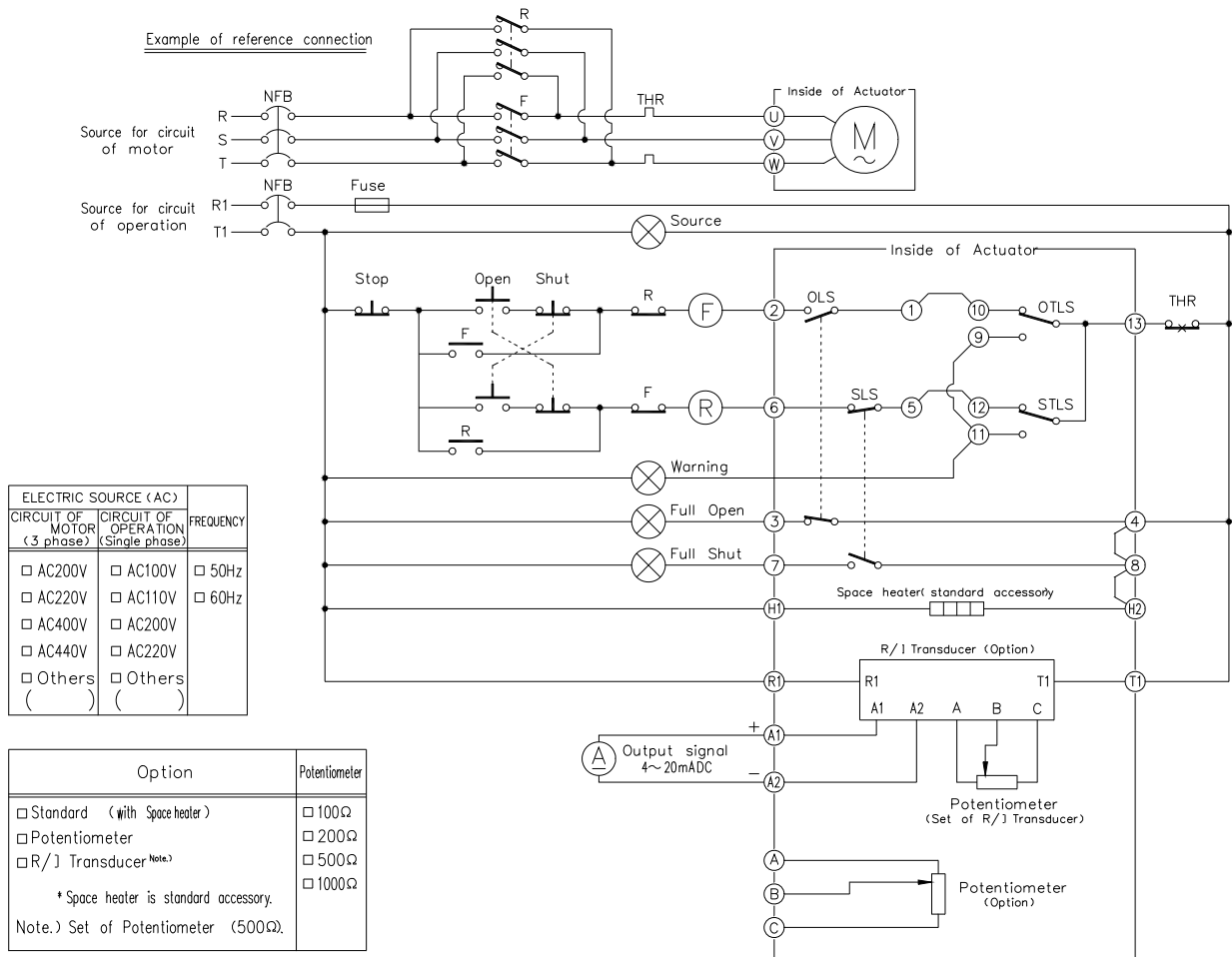
(6) Specifications of actuator

List of Specifications

Adaptive nominal size		450-600mm (18"-24")	450mm (18")	500, 600mm (20", 24")
Body material		PP, PVDF	PDCPD	
Actuator type		LTRM-01/ BRM-2	LTMD-01/ BRM-3	
Opening and closing time (Sec.)	50Hz	41	38	49
	60Hz	34	41	50
Protection structure		IP55		
Motor starting current (A) 50/60Hz	AC200V	10.2/9.6		
	AC400V	4.6/4.4		
Motor rated current (A) 50/60Hz	AC200V	2.5/2.2		
	AC400V	1.2/0.99		
Number of rotations of manual operating handle		15		
Watt consumption (W) 50/60Hz	AC200V	620/593		
	AC400V	625/556		
Nominal diameter of cable connector		Operation Circuit: 3-G1 Motor Circuit: 1-G ³ / ₄	Operation Circuit: 2-G1 Motor Circuit: 1-G ³ / ₄	
Motor rated output (W)		400		
By kind of motor insulation		B kind		
Motor rated time (min.)		15		
Capacity of limit switch		AC250V 5A		
Motor polar number (P)		4		
Space heater rated output(W)		10	30	
Maximum impressed voltage between potentiometers (V)	135 Ω	15		
	200 Ω	20		
	500 Ω	30		
	1000 Ω	45		

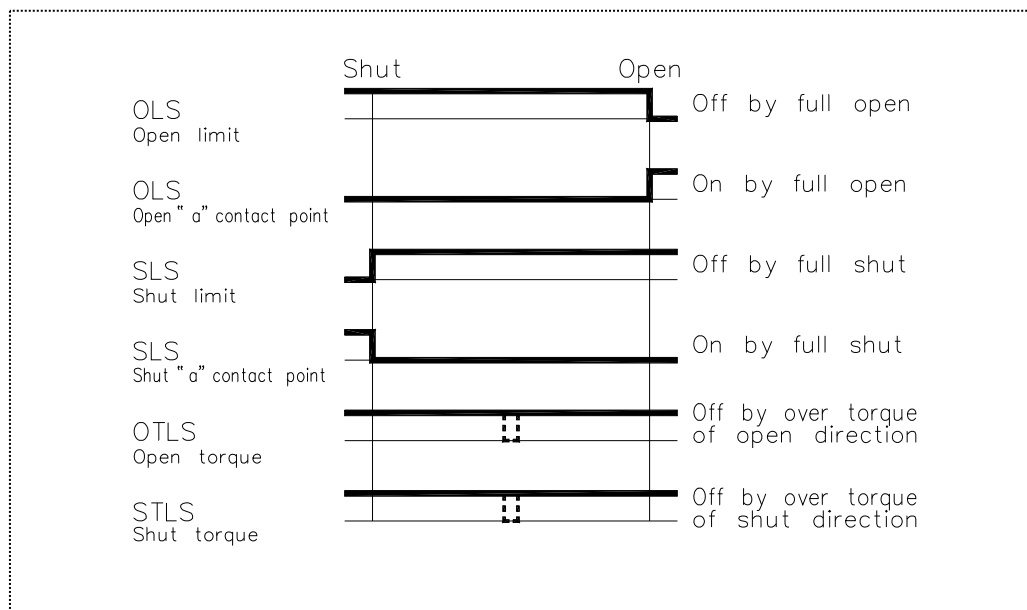
*In case of the actuator with an electronic positioner, the actuator type becomes "LTMD-01Z/ BRM-2, 3".

Wiring diagram LTRM, LTMD



Note: The circuit diagram shows the position that the opening rotation has come to the end of travel.

Switching chart



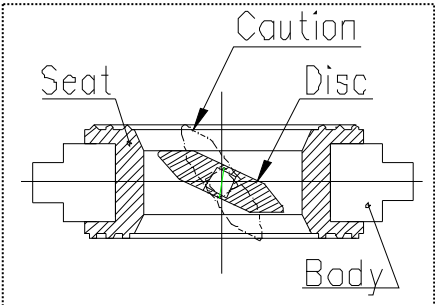
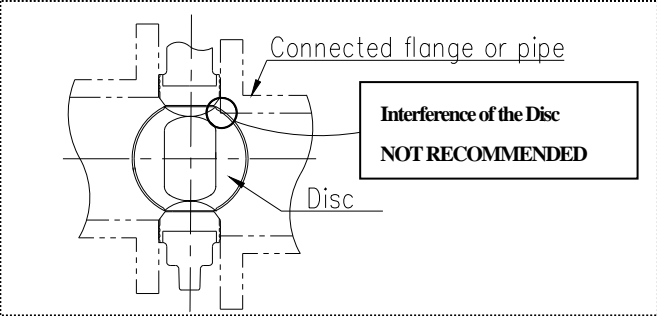
(7) Installation procedure

Warning

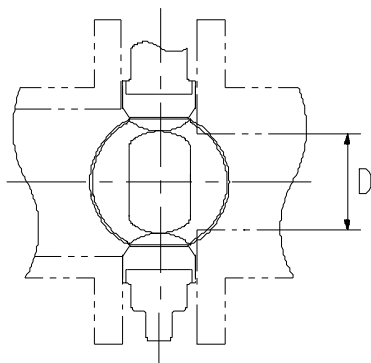
- When suspending and supporting a valve, take care and do not stand under a suspended valve.
- Be sure to conduct a safety check on all hand and power tools to be used before beginning work.
- Wear protective gloves and safety goggles as fluid remain in the valve even if the pipeline is empty. (You may be injured.)

Caution

- When installing a pipe support by means of a U-band or something similar, take care not to over-tighten. (Excessive force may damage the pipe.)
- Do not install the valve with the disc fully closed. (The disc may pinch into the seat, resulting in a high operating torque and preventing the valve from operating properly.)
- When installing pipes and valves, ensure that they are not subjected to tension, compression, bending, impact, or other excessive stress.
- Use flat faced flanges for connection to AV Valves.
- Ensure that the mating flanges are of the same standards.
- The gasket is unnecessary. (The seat carries out the role of the gasket.)
- The valve disc is in the position indicated by solid lines in figure to the right prior to shipment from the factory. If the valve is opened or closed after unpacking, it must be reset in this position before installation. Failure to do so will result in damage to the surface of the valve seat during handling and installation.
- Care must be used during piping installation to ensure that the pipes or flanges are properly aligned so that the valve disc does not contact them in any setting. Misalignment as in figure below will result in damage to the valve.

In the case of thick of the connection part (flange and pipe) is too thick the flange or the pipe inside order to avoid the contact of pipe and disk. If inside diameter of the connection part is larger than size D, shaving is not necessity.



Nominal size		Unit: mm (inch)	
		Diameter D	
450	(18")	422	(16.61")
500	(20")	472	(18.58")
600	(24")	572	(22.52")

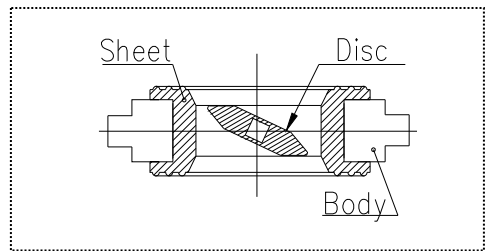
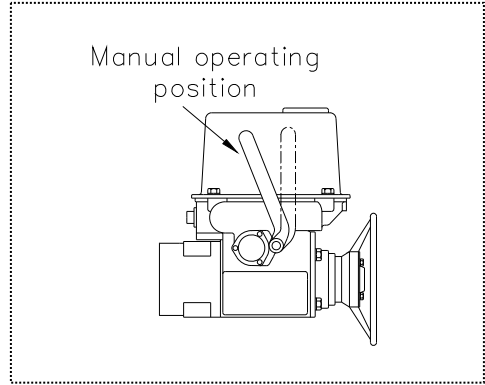
Necessary items

- Torque wrench
- Spanner wrench
- Bolt, Nut, Washer (For many flanges specification)

* Gasket is not necessary. (Seat [3] of valve serves as the part of gasket.)

Procedure

- 1) Leave the disc [2] slightly opened by lever handle.
 - * Don't turn the disc beyond the seat.
 - (Otherwise, the disc may be damaged.)
- 2) Set the valve between the coupled flanges.
- 3) Insert washers and bolts from the pipe side, insert washers and nuts from the valve side, then temporarily tighten them by hand.
- 4) Using a torque wrench, tighten the bolts and nuts gradually to the specified torque in a diagonal manner (Refer to fig.1.)

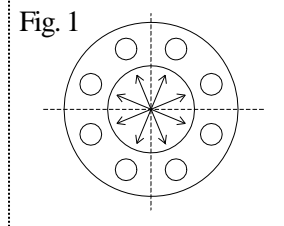


- Tighten the bolts and nuts gradually with a torque wrench to the specified torque level in a diagonal manner.

Caution

Recommended torque value Unit: N·m [kgf·cm] [lb·inch]

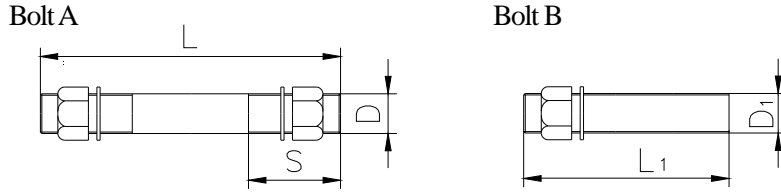
Nom. Size	450mm (18")	500, 600mm (20", 24")
Torque value	80.0 {816} [710]	100.0 {1020} [887]



JIS Standard (10K)

Body material: PP, PVDF, PDCPD

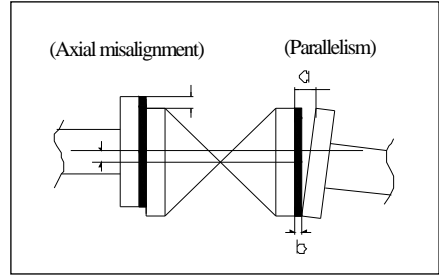
Nominal Size mm (inch)	Bolt A			Bolt B		Quantity		
	D	L	S	D1	L1	Bolt A	Bolt B	Nut & Washer
450 (18")	M24	more than 310mm (12.20")	65mm (2.56")	M24	more than 120mm (4.72")	16	8	40
500 (20")		more than 320mm (12.60")						
600 (24")	M30	more than 350mm (13.78")	75mm (2.95")	M30	more than 140mm (5.51")	20		48



- The parallelism and axial misalignment of the flange surface should be under the values shown in the following table to prevent damage the valve. (A failure to observe them can cause destruction due to stress application to the pipe.)

Unit: mm (inch)

Nom. Size	Axial Misalignment	Parallelism (a-b)
450-600mm (18"-24")	1.5 (0.06")	1.0 (0.04")



(8) Support setting procedure



- Do not subject the valve to pump vibrations. (The valve may be damaged.)



- Valves must be supported. (The valve may be damaged by the weight of the actuator if it is unsupported.)

Necessary items

● Spanner wrench

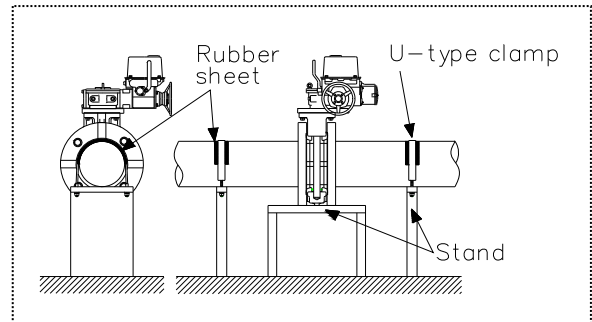
● U-type clamp (with bolt)

● Rubber sheet

Level installation

Set the stand under the valve.

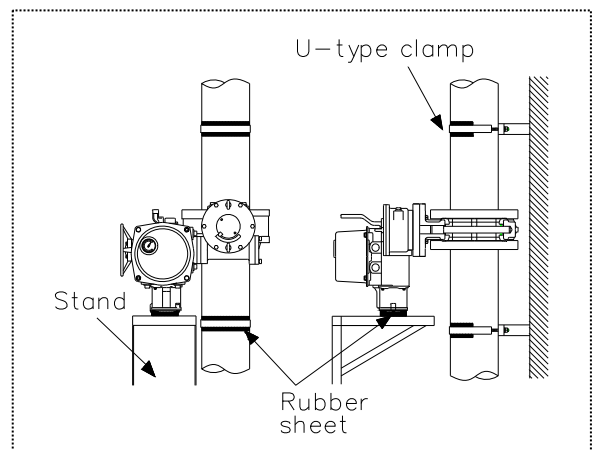
Spread the rubber sheet on the pipe and secure pipe with U-type clamp.



Perpendicular installation

Spread the rubber sheet under the actuator, and fix it with the stand.

Spread the rubber sheet on the pipe and secure pipe with U-type clamp.



(9) Electric wiring procedure



Warning



- Do not touch any parts on actuator circuit board or terminal block or connect or disconnect wires while the actuator is energized. (Any such practice may result in an electric shock or equipment damage.)



- At the time of adjustment or inspection, ensure that your hands are free of water and oil.

(Any such substance on your hands may result in an electric shock or equipment damage.)

- Be sure to establish a ground. (A defective ground may result in an electrical shock, fire, or other incident.)

- Before using the product, check the operating power supply and the voltage specification on the nameplate. Using a wrong voltage may cause equipment damage or malfunction.



Caution



- Do not exceed the rated capacity of limit switch contacts. If you wish to apply very small loads (1-100 mA, 5-30 V), consult our service station nearest to you.

- Do not use the product near high-voltage wire, inverter, or any other equipment that produces electrical noise or magnetism. (The presence of such nearby may cause malfunction or breakdown.)



- Check the integrity of wiring insulation before connecting to the actuator.

(Failure to observe this precaution may result in wire damage.)

- Ensure all covers are tightly fastened prior to operation.

(Insufficient fastening may allow rainwater, dust, or dirt to come in, resulting in breakdown.)

- When connecting wires, be sure to observe the connection diagram and make the connections correctly.

Moreover, after wiring, ensure that the connections are securely made before turning on the power. (Failure to take this precaution may cause malfunction or breakdown.)

- Each cover part is sealed with an O-ring. When laying wiring or in similar cases, where the cover is removed and replaced, ensure that the O-ring is installed in the specified location and securely sealed. (Insufficient sealing may cause the actuator to be penetrated by rainwater or other foreign matter, resulting in electric shock or breakdown.)

- If you wish to use the product outdoors or in any other location exposed to rainwater or other forms of moisture, protect the wiring conduit of the actuator against ingress of rainwater and all other wetness. (Failure to take such a precaution may cause the actuator to be penetrated by rainwater or something similar, resulting in electric shock or breakdown.)

Necessary items

- Spanner wrench
- Wire stripper
- Crimp-style terminal
- Terminal crimping tool
- Screwdriver (+)
- Connector

* Check supply voltage indicated on the actuator and make sure it is the same as the voltage applied, before completing the wiring.

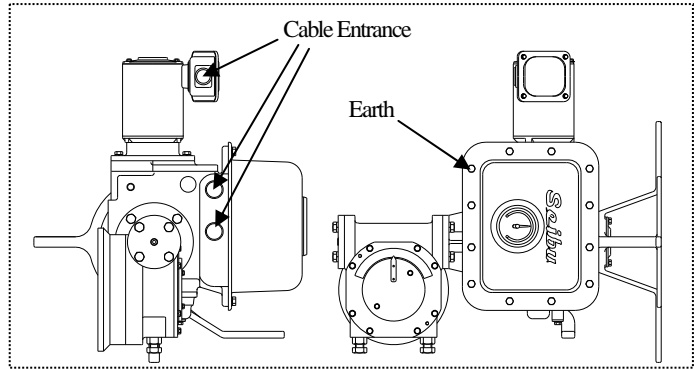
(Wiring at different voltages will cause problems in the AV valve.)

Procedure

- 1) Loosen the screws with a spanner wrench and remove the cover from the actuator.
- 2) Remove the plug of cable entrance with a spanner wrench.
- 3) Install the connector in the cable entrance.
- 4) Draw a cable through the connector.
- 5) Strip the cable with a wire stripper.
- 6) Install a Crimp-style terminal on the lead wire with a terminal crimping tool.
- 7) Connect terminal board with a screwdriver in accordance page 7.

* Tighten the screws. (Short circuit or shocks may occur.)

- 8) Tighten the connector.
- 9) Tighten above screws with a screwdriver to fix and install the cover of the actuator.
- 10) Connect the earth wire to a good ground.



(10) Operating procedure



Warning

- Do not touch any parts on actuator circuit board or terminal block or connect or disconnect wires while the actuator is energized. (Any such practice may result in an electric shock or equipment damage.)
- Do not operate the manual override while the actuator is energized.
- Keep hands and other extremities away from moving parts under all circumstances. (Any such practice may get your hand, arm, or other part of your body caught.)



- Be sure to establish a ground. (A defective ground may result in an electrical shock, fire, or other incident.)
- At the time of adjustment or inspection, ensure that your hands are free of water and oil. (Any such substance on your hands may result in an electric shock or equipment damage.)



Caution

- Do not connect two or more motor-driven valves in series. Also, install a switch (or a relay contact) for each motor-driven valve.
- Do not use the product near a high-voltage wire, inverter or other equipment that produces electrical noise or magnetism. (The presence of such nearby may cause malfunction or breakdown.)
- Check the integrity of wiring insulation before connecting to the actuator. (Failure to observe this precaution may result in wire damage.)
- Ensure all covers are tightly fastened prior to operation. (Insufficient fastening may allow rainwater, dust, or dirt to come in, resulting in breakdown.)
- When connecting wires, be sure to observe the connection diagram and make the connections correctly. Moreover, after wiring, ensure that the connections are securely made before turning on the power. (Failure to take this precaution may cause malfunction or breakdown.)
- Each cover part is sealed with an O-ring. When laying wiring or in similar cases, where the cover is removed and replaced, ensure that the O-ring is installed in the specified location and securely sealed. (Insufficient sealing may cause the actuator to be penetrated by rainwater or other foreign matter, resulting in electric shock or breakdown.)
- If you wish to use the product outdoors or in any other location exposed to rainwater or other forms of moisture, protect the wiring conduit of the actuator against ingress of rainwater and all other wetness. (Failure to take such a precaution may cause the actuator to be penetrated by rainwater or something similar, resulting in electric shock or breakdown.)
- In the case of malodor, overheating, or smoking, turn off the power supply immediately. (Continued use despite an abnormality present may result in a fire. If you detect any abnormalities, be sure to consult the dealership where you bought the product or our service station nearest your premises and ask them to perform an inspection.)

Manual Operating Procedure

- Turn off the power source.

(If the power source is turned on during the manual operation, you may be injured.)

Procedure

- 1) Push the change lever toward the manual operating position.
In case that the position can not be changed smoothly, push the change lever while turning the manual handle right or left.

*Do not turn the handle forcibly at the right and left full operating positions.

(If not, a trouble will develop.)

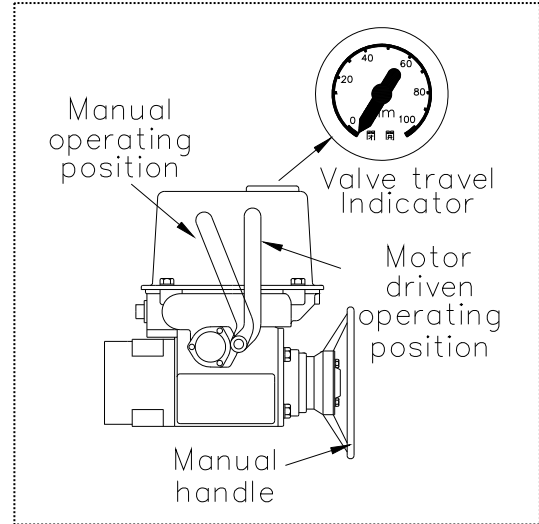
- 2) Turn the manual handle while watching the valve travel indicator.

Right turn (clock wise) → Shut direction

Left turn (counter clock wise) → Open direction

- 3) <Actuator type: LTRM, LTMD>

Turn on the power source and set the external switch to “Open” or “Shut”. (The change lever will return to the motor driven operating position automatically.)



Warning

- Do not turn the change lever to the motor driven operating position. (The actuator may be damaged.)

<Actuator type: LTRH>

Push the change lever back to the motor driven operating position.

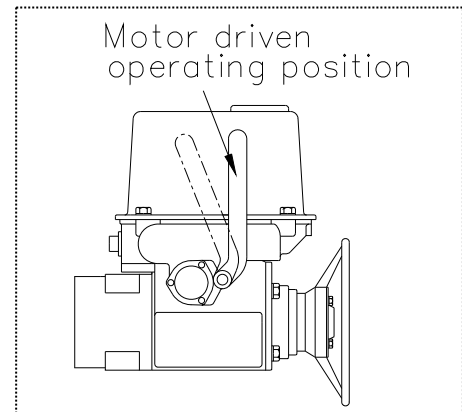
Motor-Driven Operating Procedure

Warning


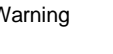




- Do not leave the terminal board cover and the limit switch cover as they are removed from the actuator.
(Coming into contact with a terminal in this state can give you an electric shock.)

Procedure









- 1) Turn on the power source.
- 2) Set the external switch to “Open” or “Close”, and check to ensure that the valve indicating direction and the operating direction accord with each other. (If not, check the wiring diaphragm, refer to page 7, and operate from the item 1).
- 3) Turn off the power source in the state of the full open or close.



(11) Disassembling method for replacing parts

- Warning**
-  - Do not disassemble or remodel the actuator.
 -  - Do not touch any parts on actuator circuit board or terminal block or connect or disconnect wires while the actuator is energized. (Any such practice may result in an electric shock or equipment damage.)
 -  - Be sure to conduct a safety check on all hand and power tools to be used before beginning work.
 -  - Wear protective gloves and safety goggles as fluid remain in the valve even if the pipeline is empty. (You may be injured.)
- Caution**
-  - Do not change or replace valve parts under line pressure.
 -  - Ensure all covers are tightly fastened prior to operation. (Insufficient fastening may allow rainwater, dust, or dirt to come in, resulting in breakdown.)
 - The actuator has been adjusted at the factory. If reconfiguration or adjustment is needed, do so correctly according to the relevant operation manual. (Failure to observe this instruction may cause malfunction or breakdown.)
 - Each cover part is sealed with an O-ring. When laying wiring or in similar cases, where the cover is removed and replaced, ensure that the O-ring is installed in the specified location and securely sealed. (Insufficient sealing may cause the actuator to be penetrated by rainwater or other foreign matter, resulting in electric shock or breakdown.)

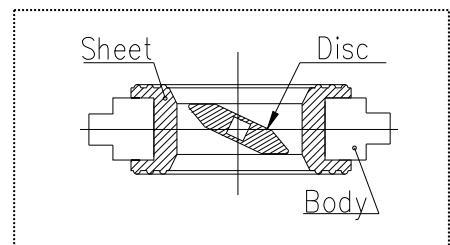
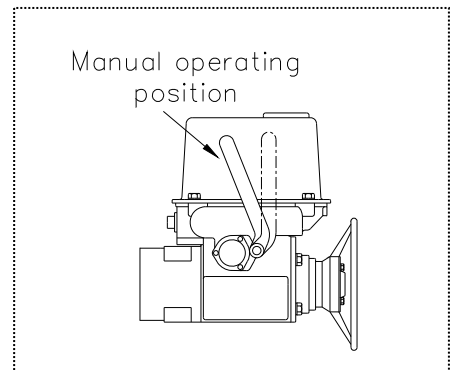
Necessary items

-  Jack
-  Pipe
-  Plate
-  Pliers
-  Thrust bearing
-  Allen wrench
-  Protective gloves
-  Safety goggles

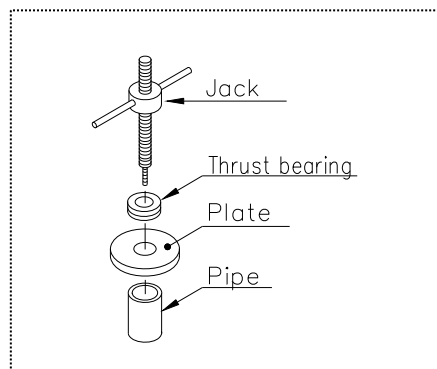
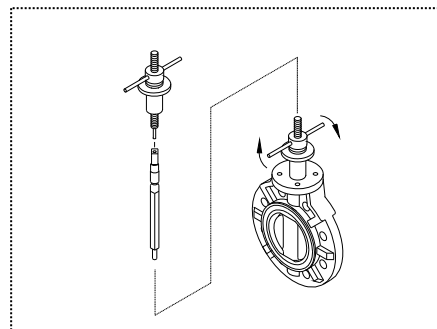
<Disassembly>

Procedure

- 1) Completely discharge fluid from pipes.
- 2) Fully close the valve by the motor driven operation or manual operation.
- 3) Turn off the power source.
- 4) Push the change lever toward the manual operating position and leave the valve slightly opened with a manual handle.
- 5) Loosen and remove the bolt·nut.
- 6) Remove the body part from piping system.
- 7) Loosen the bolt (K) [39], and remove the actuator.



- 8) Attach jack, thrust bearing, plate, and pipe to the valve, and thrust the jack into the stem [7].
- 9) Turn the handle of jack to pull out the stem [7].
- 10) Remove the O-ring (C) [6].
- 11) Make the disc [2] fully open.
- 12) Pull the both edges of the seat [3], and shake the seat [3] and disc [2] to remove gradually.
- 13) Remove the O-ring (A) [4] and the O-ring (B) [5].



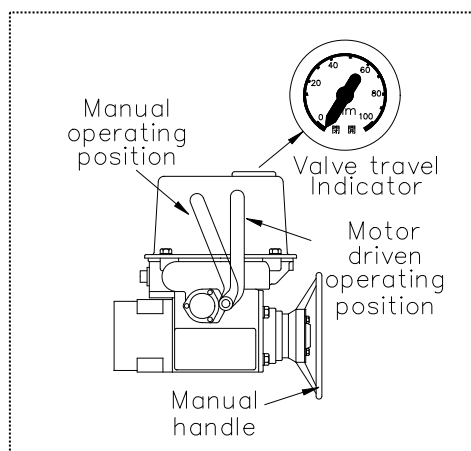
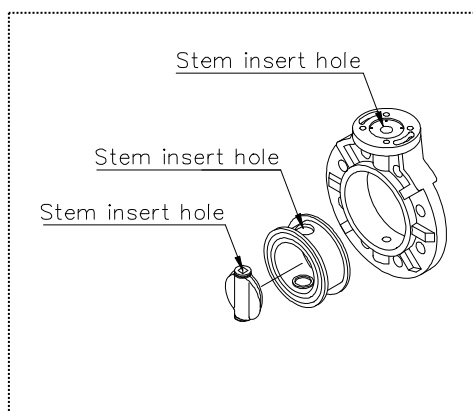
<Assembly>

Procedure




- 1) Before starting assembly, silicone grease (equivalent to Toray Silicone HVG) should be spread on the disc O-ring [4] [5] and stem O-ring [6].
- 2) The procedure of the assembly is the almost reverse of its disassembly.

However, to insert seat [3] with the disc [2] into the body [1], set the disc [2] with half-opened position. Press outer rim of seat [3] into inside of the body [1], keeping stem holes straight. (Make sure that stem holes of the seat [3] are in alignment with the stem holes of the body [1].)

- 3) Make sure that the disc [2] fits seat [3] well.
- 4) Check to ensure that travel indicator shows correct position of fully open or close.
- 5) Fully open or close the valve by motor-driven operation.
(Refer to page12)
* In case that the travel indicator shows incorrect position of, turn off the power source and remove the cover of the actuator with a spanner wrench, then adjust the travel indicator.



(12) Adjustment limit switch

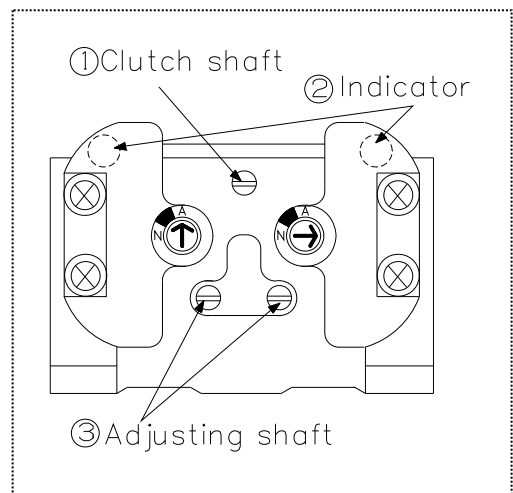
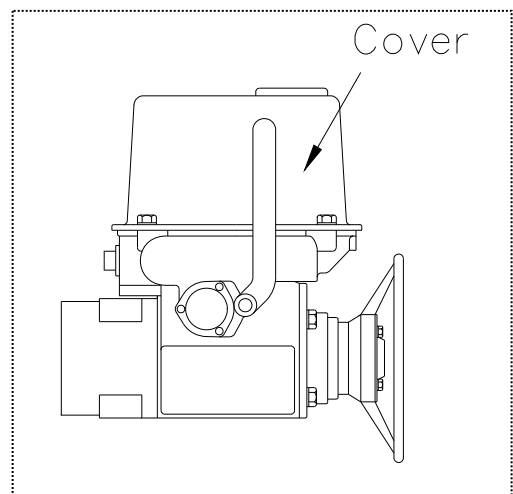
- Warning**  - Shut down the power on the equipment before connecting wires. There are risks of electrical shock depending on the level of operating voltage.
- Caution**  - Be sure that the cover is put on during operation.
-  - If you plan to operate limit switches at 1mA-100mA or 5-30V, consult your nearest Asahi dealer.

Necessary items

- Allen wrench
- Spanner wrench

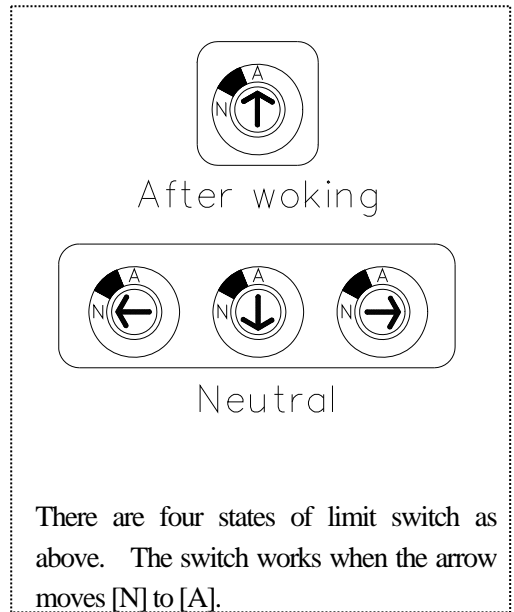
Procedure

- 1) Turn off the power source, and completely discharge fluid from pipes, then loosen screws with a spanner wrench, and remove the cover of the actuator.
- 2) Manually operate (refer to page 12) the valve at the valve travel (open or close) adjusted with a spanner wrench.
- 3) Insert the specialized handle into the clutch shaft, and push to turn 30° so that the clutch stem can be
 - * If the item 4) took place without the item 3), the limit switch may be damaged.
- 4) Choose the switch “O” for the full opened position or “S” for the full closed position.
- 5) Insert the specialized handle into the nearest reduction adjusting shaft [3], and turn the reduction stem to the direction turned as less as possible, then find a turning point from [N] to [A].
- 6) In the state that the arrow indicates [N], turn from [N] to [A], and take out the handle.
- 7) Insert the specialized handle into the clutch stem, turn the handle and set the clutch stem back to the original position.
- 8) Check whether the limit switch follows the valve operation properly by manual operation. (Refer to page12)
- 9) Tighten the screws of the actuator cover with a spanner wrench.





10) Fully close the valve by motor-driven operation, and check to ensure that the travel indicator show the full closed position [O].

*When the travel indicator shows incorrect position, loosen and remove the cover of the actuator with a spanner wrench. Remove the switch cover and take the indicator out and push it back in to show the [O].



(13) Inspection items

  - Perform periodic maintenance. (Leakage may develop due to temperature changes or over periods of prolonged storage, rest or operation.)

Portion to be inspected	Inspection item
Actuator	<ul style="list-style-type: none"> - Existence of rust, peeling of paint, and dirt of inspection hole of valve travel indicator. - Tightening condition of respective threaded portions. (Loose or not) - The insulation resistance must be 100 MΩ or more. - Existence of rust and corrosion around the limit switch, and existence of internal disconnection. - Existence of rust and corrosion of terminal board, and existence of disconnection. - Existence of abnormality in opening and closing operating sounds. - Smooth operation of manual handle. - The condition of the gear grease. ※It is unnecessary to supply oil to this actuator, because molybdenum disulfide (MoS₂) is used as a lubricant in the actuator.
Valve	<ul style="list-style-type: none"> - Existence of scratches, cracks, deformation, and discoloring. - Existence of leakage from the valve to the outside. - Existence of leakage when the valve is closed fully at right or left.

(14) Troubleshooting

Problem	Cause	Treatment
The handle is not (can't be) turned when the valve is operated manually.	The valve has already been opened fully.	Turn handle in the reverse direction. (Refer to page 12)
	The valve is kept as it is electrified in the direction reverse to the handle operating direction.	Turn of the power source.
	Foreign matter is in the valve.	Disassemble the valve to remove foreign matter. (Refer to page 8)
	The torque of the valve is increased by the piping stress.	Remove the piping stress.
The valve does not operate by motor-driven operations	The power source of the control panel is turned off.	Turn on the power source.
	The torque of the valve is increased by the piping stress.	Remove the piping stress.
	The torque is increased by the influence (temperature, components, pressure) of fluid on the valve.	Check service condition. (Refer to page 5)
	The actuator is disconnected.	Check the connection again. (Refer to page 7)
	Open and close are electrified simultaneously	
Fluid leaks from the valve even when the valve is closed fully.	The seat is worn.	Replace the seat with a new one. (Refer to page 14)
Fluid leaks from the valve.	The disc, seat or ball is scratched.	Replace the scratched disc, seat or ball. (Refer to page 14)
	Foreign matter is in the valve.	Discharge the foreign matter from the valve by opening and closing the valve several times.
	The connection bolts are over tightened or tightened unevenly.	Adjust and retighten.
	Adjustment of limit switch is wrong.	Adjust limit switch.
	The voltage is low.	Check the voltage.
	The O-ring is scratched or worn.	Replace the O-ring with a new one.
The actuator operates, but the valve does not open or close.	The O-ring is projected from the groove.	Replace the sliding face or the fixed face with a new one.
	The sliding face or the fixed face of the O-ring is scratched or worn.	
	The stem or the joint is broken.	Replace the stem or the joint with a new one.
An Unusual signal comes out.	Limit switch is broken.	Replace the limit switch.
	The cam of limit switch and the cam of double limit switch approach it too much.	Adjust the cam correctly.

(15) Handling of residual and waste materials

Warning



- Make sure to consult a waste treatment dealer for recommendations on the proper disposal of plastic valves.
(Poisonous gas is generated when the valve is burned improperly.)

**Butterfly Valves Type 75, 75D
Electric Actuated Type S**

[Automatic Valve]

ASAHI YUKIZAI CORPORATION

Distributor

<http://www.asahi-yukizai.co.jp/en/>