

ASAHI

BUTTERFLY VALVE

- P.073 BUTTERFLY VALVE TYPE 57
- P.079 BUTTERFLY VALVE TYPE 56
- P.083 BUTTERFLY VALVE TYPE 75
- P.087 BUTTERFLY VALVE TYPE 56D, 75D
- P.091 BUTTERFLY VALVE TYPE 55
- P.095 BUTTERFLY VALVE TYPE 55IS
- P.097 LUG BUTTERFLY VALVE TYPE 57L
- P.099 LUG BUTTERFLY VALVE TYPE 57TL
- P.101 PDCPD LARGE SIZE BUTTERFLY VALVE
- P.104 ROTARY DAMPER



BUTTERFLY VALVE LINEUP

VALVE CATEGORY	VALVE TYPE	1 1/2	2	2 1/2	3	4	5	6	8	10	12	14	16	18-24	28-48
		40	50	65	80	100	125	150	200	250	300	350	400	450-600	700-1,200
STANDARD (RUBBER SEAT)	TYPE 57	U-PVC/PP, PP/PP, PVDF/PVDF													
	TYPE 56												PP, PVDF		
	TYPE 75													PP, PVDF	
	PDCPD LARGE SIZE VALVE														PDCPD
	TYPE 56D, 75D												PP, PVDF (TYPE 56)	PP, PVDF (TYPE 75)	
	TYPE 57L (Lug type)				PDCPD/PP, PDCPD/PVDF										
	TYPE 57TL (True lug type)				U-PVC/PP										
CHEMICAL RESISTANT (PTFE seat)	TYPE 55		FCD-S/PTFE												
	TYPE 55IS (ISO face-to-face dimension)		FCD450/PTFE												
DAMPER	ROTARY DAMPER (TYPE 56, 57, 75)	U-PVC/PP, PP/PP, PVDF/PVDF (TYPE 57)											PP, PVDF (TYPE 56)	PP, PVDF (TYPE 75)	

AVAILABLE OPTIONS **AUTOMATIC** * Options other than those listed below are also available. Contact us for inquiry.

	PNEUMATIC	ELECTRIC	
	TYPE TA (including damper)	TYPE T	TYPE S
SOLENOID VALVE (NAMUR)	●		
FILTER REGULATOR	●		
SPEED CONTROLLER	●	●	
BYPASS VALVE (WITH SPEED CONTROLLER)	●		
LIMIT SWITCH BOX	●		
LIMIT SWITCH	●		
OUTPUT CONTACT LIMIT SWITCH		STANDARD	● ^{*1}
INTERMEDIATE OUTPUT CONTACT LIMIT SWITCH		●	
PROXIMITY SWITCH	●		
E/P POSITIONER	●		
P/P POSITIONER	●		
E/E POSITIONER		●	●
MANUAL OPERATION LEVER	●		
MANUAL OVERRIDE	●	STANDARD	STANDARD
FULL OPENING ADJUSTMENT (OPENING DEGREE ADJUSTING BOLT)	●		
SPECIAL PAINTING (ACTUATOR ONLY)	●	●	●
SPECIAL FITTING (STAINLESS STEEL)	●	●	
SPACE HEATER		STANDARD	STANDARD
POTENTIOMETER		●	●
R/I TRANSMITTER			●

*1. Provided as standard for 250 mm or less.



LIMIT SWITCH BOX



FULL OPENING ADJUSTMENT
(OPENING DEGREE ADJUSTING BOLT)



POSITIONER

BUTTERFLY VALVE TYPE 57

- HIGH DURABILITY AND FLOW CHARACTERISTICS IN ADDITION TO EXCELLENT OPERABILITY THANKS TO 19-STEP FINE OPENING ADJUSTMENT
- PLASTIC GEAR BOX WITH EXCELLENT CORROSION RESISTANCE
- EASY SWITCHING FROM LEVER TYPE TO GEAR TYPE OR AUTOMATIC VALVE
- HANDLE LEVER OPEN/CLOSE DIRECTION CAN BE CHANGED.

BASIC SPECIFICATIONS

VALVE TYPE ————— **BUTTERFLY VALVE TYPE 57**

SIZE / LEVER TYPE — 40 mm—200 mm (1 1/2 inch—8 inch)

GEAR TYPE — 40 mm—350 mm (1 1/2 inch—14 inch)

BODY MATERIAL — **U-PVC** **PP** **PVDF**

SEAL MATERIAL / SEAT — **EPDM** **FKM** etc.

CONNECTION / WAFER — **JIS10K, JIS5K, DIN, ANSI**

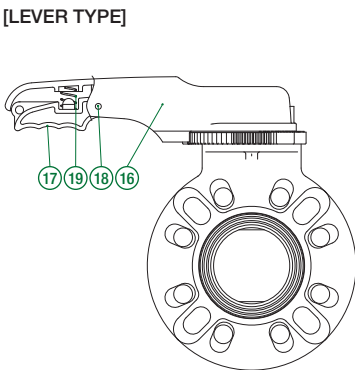
	FLUID TEMPERATURE	MAXIMUM WORKING PRESSURE (NORMAL TEMPERATURE) MPa(kgf/cm ²)	
		40mm—250mm	300mm, 350mm
U-PVC	0°C ~ 50°C	1.0 {10.2}	0.75 {7.7}
PP	-20°C ~ 80°C	1.0 {10.2}	0.75 {7.7}
PVDF	-20°C ~ 120°C	1.0 {10.2}	0.75 {7.7}

NOTE The maximum working pressure is the value including the water hammer pressure. Be careful that the maximum working pressure is not exceeded during use.
 * Concerning the allowable pressure for each temperature and material, see the technical documents at the end of this catalog.

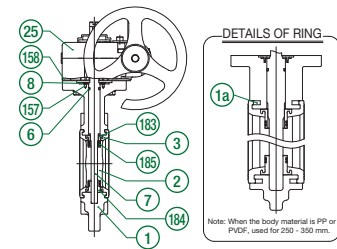
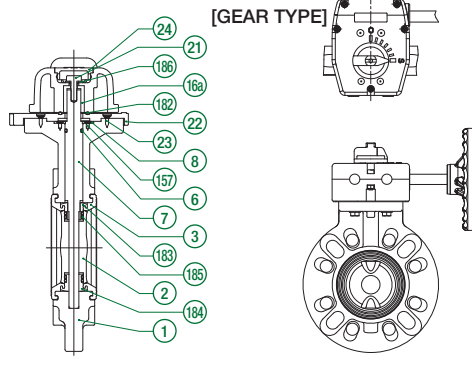


PARTS LIST **MANUAL**

[LEVER TYPE]



[GEAR TYPE]



PART NO. / NAME	QTY	MATERIAL
① BODY		BODY — DISC / SEAT BUSH
② DISC	1	U-PVC — PP
⑬ SEAT BUSH (A)	1	PP — PP
⑭ SEAT BUSH (B)	1	PVDF — PVDF
③ SEAT	1	
⑥ O-RING (C)	1	EPDM, FKM, etc.
⑬ O-RING (I)	4	
⑦ STEM	1	SUS403, SUS316
⑧ STEM HOLDER (A)	1	PP
⑮ SET SCREW (F)	4	SUS304

ONLY USED FOR LEVER TYPE

PART NO. / NAME	QTY	MATERIAL	PART NO. / NAME	QTY	MATERIAL
⑮ HANDLE (A)	1	PP	⑳ LOCKING PLATE	1	PPG
⑮ EMBEDDED HANDLE FITTING	1	SUS316L	㉑ SET SCREW (B)	4	SUS304
⑰ HANDLE LEVER	1	PPG	㉒ CAP (A)	1	PP
⑱ PIN	1	PPG	㉓ O-RING (H)	1	EPDM
⑲ SPRING	1	SUS304	㉔ WASHER WITH RUBBER	1	SUS304+EPDM
㉑ BOLT (B)	1	SUS304			

ONLY USED FOR GEAR TYPE

PART NO. / NAME	QTY	MATERIAL
㉕ GEAR BOX	1	RESIN, etc.
㉖ BOLT (C)	4	SUS304
⑮ GASKET (L)	1	EPDM
1a RING	2	SS400 (Unichrome plating) When the body material is PP or PVDF, used for 250 - 350 mm.

SPECIFICATION LIST **MANUAL**

LEVER TYPE		SIDE GEAR TYPE		TOP GEAR TYPE	
○		○		○	
CHAIN TYPE	LONG STEM TYPE	FLOAT TYPE	WITH LIMIT SWITCH		
○	○	○	○		

* For other specifications, contact our sales office in your area.

COMPATIBLE ACTUATOR **AUTOMATIC**

PNEUMATIC **TYPE TA** For detailed specifications, see P.123

ELECTRIC **TYPE T** For detailed specifications, see P.139

ELECTRIC **TYPE S** For detailed specifications, see P.133, 135

PRODUCT MODEL CODE LIST
MANUAL

ACTUATION	TYPE	OPERATING SYSTEM	BODY MATERIAL	SEAL MATERIAL	CONNECTION	STANDARD	SIZE
V	57	**	*	*	W	*	***
V MANUAL VALVE	57 TYPE 57	LV LEVER TYPE SG SIDE GEAR TYPE	U U-PVC P PP F PVDF	E EPDM V FKM	W WAFER	1 JIS10K 5 JIS5K W — D DIN A ANSI	040 40mm 350 350mm

PRODUCT MODEL CODE LIST
AUTOMATIC

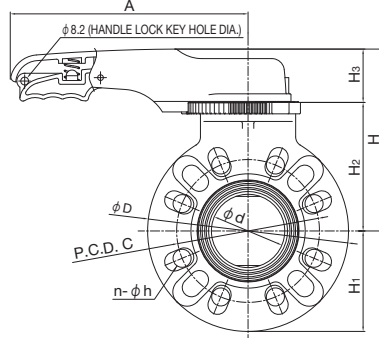
ACTUATION	TYPE	ACTUATOR TYPE	ACTION / POWER SOURCE	BODY MATERIAL	SEAL MATERIAL	CONNECTION	STANDARD	SIZE
A	57	*	*	*	*	W	*	***
A AUTOMATIC VALVE	57 TYPE 57	PNEUMATIC K TYPE TA ELECTRIC T TYPE T S TYPE S	PNEUMATIC F DOUBLE ACTING G AIR TO OPEN S AIR TO CLOSE ELECTRIC 1 Single-Phase 100V 2 Single-Phase 200V 3 Three-Phase AC200V 4 Three-Phase AC400V	U U-PVC P PP F PVDF	E EPDM V FKM	W WAFER	1 JIS10K 5 JIS5K W — D DIN A ANSI	040 40mm 350 350mm

MANUAL

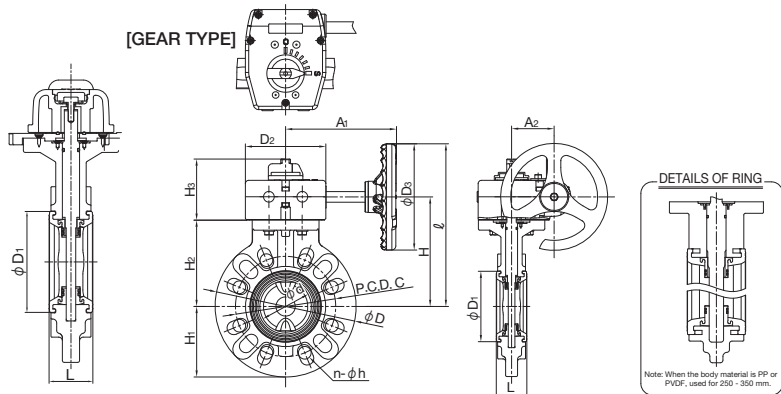
BUTTERFLY VALVE TYPE 57

TYPE—V57LV, V57SG
CONNECTION / WAFER—JIS, DIN, ANSI

[LEVER TYPE]



[GEAR TYPE]



■ JIS, DIN (Unit: mm)

mm	d	D	D ₁	D ₂	D ₃	L	I	A	A ₁	A ₂	H				JIS5K			JIS10K			WATERWORKS			DIN PN10					
											LEVER TYPE	GEAR TYPE	H ₁	H ₂	H ₃	C	n	h	C	n	h	C	n	h	C	n	h		
40	45	150	71	122	160	39	210	220	167	64	156	130	75	100	95	56	92	95	4	15	105	4	19	—	—	—	110	4	18
50	56	165	81	122	160	42	220	220	167	64	166	140	83	110	105	56	92	105	4	15	120	4	19	—	—	—	125	4	18
65	69	185	95	122	160	46	230	220	167	64	176	150	93	120	115	56	92	130	4	15	140	4	19	—	—	—	145	4	18
80(75)	77	211	105	122	160	46	245	250	167	64	191	165	106	135	130	56	92	145	4	19	150	8	19	—	—	—	160	8	18
100	102	238	134	122	160	56	260	250	167	64	206	180	119	150	145	56	92	165	8	19	175	8	19	—	—	—	180	8	18
125	129	255	169	122	160	66	275	320	167	64	237	195	128	168	160	69	92	200	8	19	210	8	23	—	—	—	210	8	18
150	150	285	190	122	160	71	290	320	167	64	252	210	143	183	175	69	92	230	8	19	240	8	23	—	—	—	240	8	22
200	195	350	242	122	160	87	321	400	167	64	283	241	170	214	206	69	92	280	8	23	290	12	23	—	—	—	295	8	22
250	250	421	302	122	160	112	356	—	167	64	—	276	211	—	241	—	92	345	12	23	355	12	25	—	—	—	350	12	22
300	303	488	360	188	300	129	490	—	272	99	—	340	244	—	298	—	108	390	12	23	400	16	25	—	—	—	400	12	22
350	351	539	393	188	300	129	517	—	272	99	—	367	270	—	325	—	108	435	12	23	445	16	25	—	—	—	460	16	22

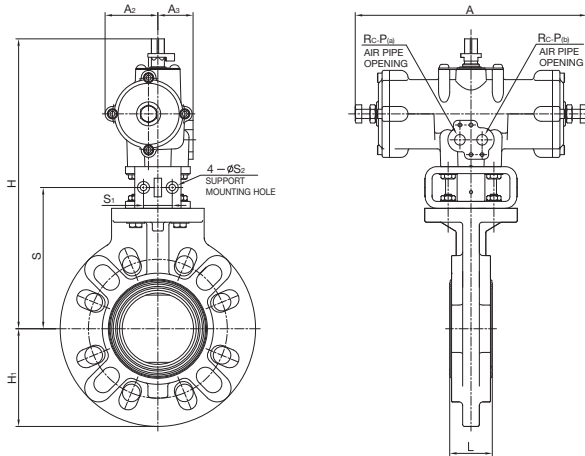
■ ANSI (UNIT: inch)

inch	mm	d	D	D ₁	D ₂	D ₃	L	I	A	A ₁	A ₂	H				ANSI CLASS 150			GEAR BOX TYPE			
												LEVER TYPE	GEAR TYPE	H ₁	H ₂	H ₃	C	n		h		
1 1/2	40	1.77	5.91	2.80	4.80	6.30	1.54	8.27	8.66	6.57	2.52	6.14	5.12	2.95	3.94	3.74	2.20	3.62	3.88	4	0.62	
2	50	2.20	6.50	3.19	4.80	6.30	1.65	8.66	8.66	6.57	2.52	6.54	5.51	3.27	4.33	4.13	2.20	3.62	4.75	4	0.75	
2 1/2	65	2.72	7.28	3.74	4.80	6.30	1.81	9.06	8.66	6.57	2.52	6.93	5.91	3.66	4.72	4.53	2.20	3.62	5.50	4	0.75	
3	80(75)	3.03	8.31	4.13	4.80	6.30	1.81	9.65	9.84	6.57	2.52	7.52	6.50	4.17	5.31	5.12	2.20	3.62	6.00	4	0.75	
4	100	4.02	9.37	5.28	4.80	6.30	2.20	10.24	9.84	6.57	2.52	8.11	7.09	4.69	5.91	5.71	2.20	3.62	7.50	8	0.75	TYPE1
5	125	5.08	10.04	6.65	4.80	6.30	2.60	10.83	12.60	6.57	2.52	9.33	7.88	5.04	6.61	6.30	2.72	3.62	8.50	8	0.88	
6	150	5.91	11.22	7.48	4.80	6.30	2.80	11.42	12.60	6.57	2.52	9.92	8.27	5.63	7.20	6.89	2.72	3.62	9.50	8	0.88	
8	200	7.68	13.78	9.53	4.80	6.30	3.43	12.64	15.75	6.57	2.52	11.14	9.49	6.69	8.43	8.11	2.72	3.62	11.75	8	0.88	
10	250	9.84	16.57	11.89	4.80	6.30	4.41	14.02	—	6.57	2.52	—	10.87	8.31	—	9.49	—	3.62	14.25	12	1.00	
12	300	11.93	19.21	14.17	7.40	11.81	5.08	19.29	—	10.71	3.90	—	13.39	9.61	—	11.73	—	4.25	17.00	12	1.00	
14	350	13.82	21.22	15.47	7.40	11.81	5.08	20.35	—	10.71	3.90	—	14.45	10.63	—	12.80	—	4.25	18.75	12	1.12	TYPE3

AUTOMATIC PNEUMATIC TYPE TA
DOUBLE ACTING
 AIR TO OPEN
 AIR TO CLOSE

BUTTERFLY VALVE TYPE 57

TYPE—A57K
 CONNECTION / WAFER—JIS, DIN, ANSI



ACTUATOR SELECTION CHART

SIZE	ACTUATOR TYPE
40mm (1 1/2inch)	TA2A-050D
50mm (2inch)	TA2A-063D
65mm (2 1/2inch)	TA2A-080D
80mm (3inch)	TA2A-100D
100mm (4inch)	TA2A-125D
125mm (5inch)	TA2A-160D
150mm (6inch)	TA2A-160D
200mm (8inch)	TA2A-160D
250mm (10inch)	TA2A-160D
300mm (12inch)	TA2A-160D
350mm (14inch)	TA-200D

For detailed specifications, see P.123

■ JIS, DIN (Unit: mm)

mm	L	H	H ₁	A	A ₂	A ₃	S	S ₁	S ₂	P
40	39	263	75	210	46	36	117.5	32	7	1/4
50	42	273	83	210	46	36	127.5	32	7	1/4
65	46	298	93	250	57	38	137.5	32	7	1/4
80	46	313	106	250	57	38	152.5	32	7	1/4
100	56	361	119	292	71	45	167.5	32	7	1/4
125	66	413	128	362	85.5	57	185.5	42	9	1/4
150	71	428	143	362	85.5	57	200.5	42	9	1/4
200	87	493	175	440	90	60	—	—	—	1/4
250	112	584	211	532	113	68	—	—	—	1/4
300	129	641	244	532	113	68	—	—	—	1/4
350	129	732	270	664	139	68	—	—	—	3/8

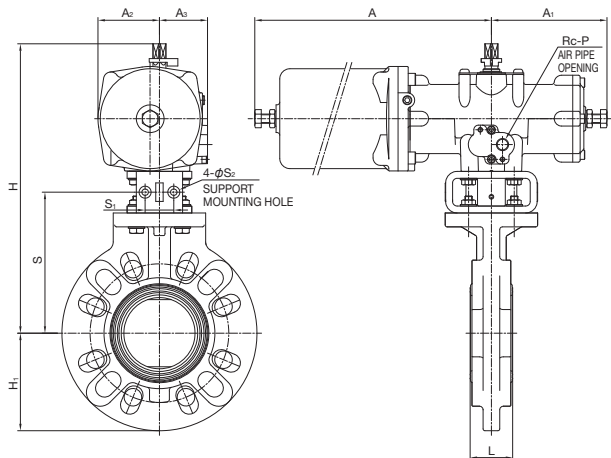
■ ANSI (Unit: inch)

inch	mm	L	H	H ₁	A	A ₂	A ₃	S	S ₁	S ₂	P
1 1/2	40	1.54	10.35	2.95	8.27	1.81	1.42	4.63	1.26	0.28	1/4
2	50	1.65	10.75	3.27	8.27	1.81	1.42	5.02	1.26	0.28	1/4
2 1/2	65	1.81	11.73	3.66	9.84	2.24	1.50	5.41	1.26	0.28	1/4
3	80	1.81	12.32	4.17	9.84	2.24	1.50	6.00	1.26	0.28	1/4
4	100	2.20	14.21	4.69	11.50	2.80	1.77	6.59	1.26	0.28	1/4
5	125	2.60	16.26	5.04	14.25	3.37	2.24	7.30	1.65	0.35	1/4
6	150	2.80	16.85	5.63	14.25	3.37	2.24	7.89	1.65	0.35	1/4
8	200	3.43	19.41	6.89	17.32	3.54	2.36	—	—	—	1/4
10	250	4.41	22.99	8.31	20.94	4.45	2.68	—	—	—	1/4
12	300	5.08	25.24	9.61	20.94	4.45	2.68	—	—	—	1/4
14	350	5.08	28.82	10.63	26.14	5.47	2.68	—	—	—	3/8

AUTOMATIC PNEUMATIC TYPE TA
DOUBLE ACTING
 AIR TO OPEN
 AIR TO CLOSE

BUTTERFLY VALVE TYPE 57

TYPE—A57K
 CONNECTION / WAFER—JIS, DIN, ANSI



ACTUATOR SELECTION CHART

SIZE	ACTUATOR TYPE
40mm (1 1/2inch)	TA2A-050R
50mm (2inch)	TA2A-063R
65mm (2 1/2inch)	TA2A-080R
80mm (3inch)	TA2A-100R2
100mm (4inch)	TA2A-125R2
125mm (5inch)	TA2A-160R2
150mm (6inch)	TA2A-160R2
200mm (8inch)	TA2A-160R2
250mm (10inch)	TA2A-160R2
300mm (12inch)	TA2A-160R2
350mm (14inch)	TA-200R

For detailed specifications, see P.123

■ JIS, DIN (Unit: mm)

mm	L	H	H ₁	A	A ₁	A ₂	A ₃	S	S ₁	S ₂	P
40	39	263	75	240	105	53	50	117.5	32	7	1/4
50	42	273	83	240	105	53	50	127.5	32	7	1/4
65	46	298	93	288	125	66.5	52	137.5	32	7	1/4
80	46	313	106	288	125	66.5	52	152.5	32	7	1/4
100	56	361	119	341	146	82.5	59	167.5	32	7	1/4
125	66	413	128	417	181	103	71	185.5	42	9	1/4
150	71	428	143	417	181	103	71	200.5	42	9	1/4
200	87	493	175	542	220	118.5	74	—	—	—	1/4
250	112	584	211	658	266	149	82	—	—	—	1/4
300	129	641	244	658	266	149	82	—	—	—	1/4
350	129	732	270	943	332	182	118	—	—	—	3/8

■ ANSI (Unit: inch)

inch	mm	L	H	H ₁	A	A ₁	A ₂	A ₃	S	S ₁	S ₂	P
1 1/2	40	1.54	10.35	2.95	9.45	4.13	2.09	1.97	4.63	1.26	0.28	1/4
2	50	1.65	10.75	3.27	9.45	4.13	2.09	1.97	5.02	1.26	0.28	1/4
2 1/2	65	1.81	11.73	3.66	11.34	4.92	2.62	2.05	5.41	1.26	0.28	1/4
3	80	1.81	12.32	4.17	11.34	4.92	2.62	2.05	6.00	1.26	0.28	1/4
4	100	2.20	14.21	4.69	13.43	5.75	3.25	2.32	6.59	1.26	0.28	1/4
5	125	2.60	16.26	5.04	16.42	7.13	4.06	2.80	7.30	1.65	0.35	1/4
6	150	2.80	16.85	5.63	16.42	7.13	4.06	2.80	7.89	1.65	0.35	1/4
8	200	3.43	19.41	6.89	21.34	8.66	4.67	2.91	—	—	—	1/4
10	250	4.41	22.99	8.31	25.91	10.47	5.87	3.23	—	—	—	1/4
12	300	5.08	25.24	9.61	25.91	10.47	5.87	3.23	—	—	—	1/4
14	350	5.08	28.82	10.63	37.13	13.07	7.17	4.65	—	—	—	3/8

AUTOMATIC

ELECTRIC

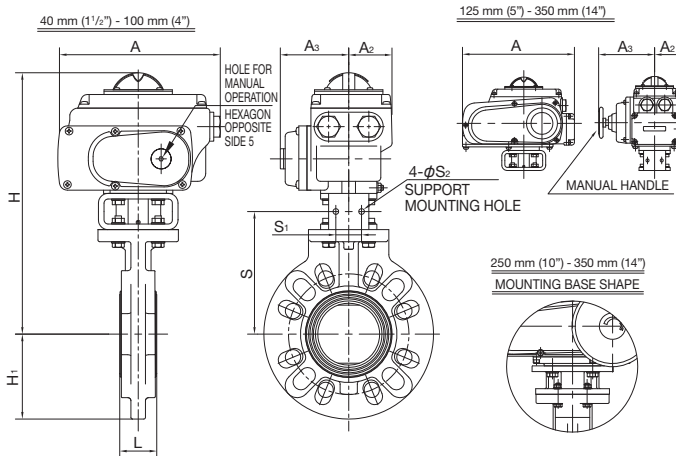
TYPE T

Single-Phase 100V
Single-Phase 200V

BUTTERFLY VALVE TYPE 57

TYPE—A57T

CONNECTION / WAFER—JIS, DIN, ANSI



ACTUATOR SELECTION CHART

SIZE	ACTUATOR TYPE
40mm (1 1/2inch)	T-0
50mm (2inch)	
65mm (2 1/2inch)	
80mm (3inch)	
100mm (4inch)	T-1
125mm (5inch)	
150mm (6inch)	
200mm (8inch)	T-2.5
250mm (10inch)	T-3
300mm (12inch)	
350mm (14inch)	

For detailed specifications, see **P.139**

■ JIS, DIN (Unit: mm)

mm	L	H	H ₁	A	A ₂	A ₃	S	S ₁	S ₂
40	39	290	75	202	53.8	85	117.5	32	7
50	42	300	83	202	53.8	85	127.5	32	7
65	46	310	93	202	53.8	85	137.5	32	7
80	46	325	106	202	53.8	85	152.5	32	7
100	56	340	119	202	53.8	85	167.5	32	7
125	66	376	128	252	65	126	185.5	42	9
150	71	424	143	310	85	154	200.5	42	9
200	87	458	175	310	85	154	231.5	42	9
250	112	541	211	388	136	245.5	—	—	—
300	129	598	244	388	136	245.5	—	—	—
350	129	625	270	388	136	245.5	—	—	—

■ ANSI (Unit: inch)

inch	mm	L	H	H ₁	A	A ₂	A ₃
1 1/2	40	1.54	11.42	2.95	7.95	2.12	3.35
2	50	1.65	11.81	3.27	7.95	2.12	3.35
2 1/2	65	1.81	12.20	3.66	7.95	2.12	3.35
3	80	1.81	12.80	4.17	7.95	2.12	3.35
4	100	2.20	13.39	4.69	7.95	2.12	3.35
5	125	2.60	14.80	5.04	9.92	2.56	4.96
6	150	2.80	16.69	5.63	12.20	3.35	6.06
8	200	3.43	18.03	6.89	12.20	3.35	6.06
10	250	4.41	21.30	8.31	15.28	5.35	9.67
12	300	5.08	23.54	9.61	15.28	5.35	9.67
14	350	5.08	24.61	10.63	15.28	5.35	9.67

AUTOMATIC

ELECTRIC

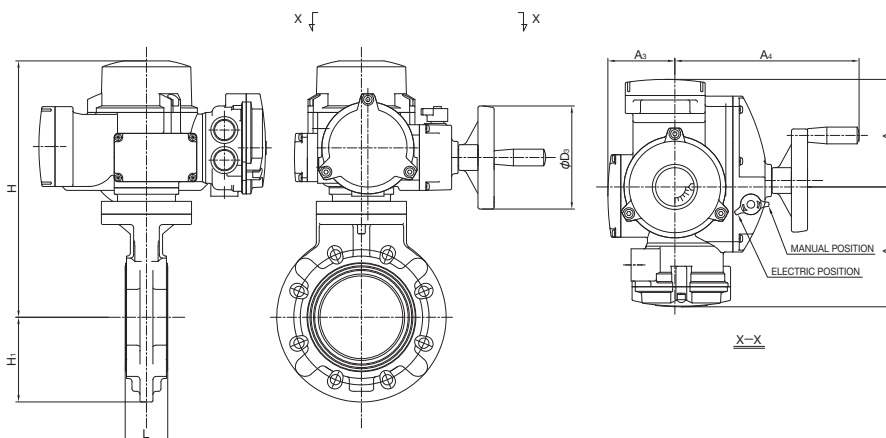
TYPE S

Three-Phase AC200V
Three-Phase AC400V

BUTTERFLY VALVE TYPE 57

TYPE—A57S

CONNECTION / WAFER—JIS, DIN, ANSI



ACTUATOR SELECTION CHART

SIZE	ACTUATOR TYPE
40mm (1 1/2inch)	SRJ-010
50mm (2inch)	
65mm (2 1/2inch)	
80mm (3inch)	
100mm (4inch)	SRJ-020
125mm (5inch)	
150mm (6inch)	SRJ-060
200mm (8inch)	
250mm (10inch)	

For detailed specifications, see **P.133**

■ JIS, DIN (Unit: mm)

mm	L	D ₃	H	H ₁	A ₁	A ₂	A ₃	A ₄
40	39	160	313	75	167	186	104	286
50	42	160	323	83	167	186	104	286
65	46	160	333	93	167	186	104	286
80	46	160	348	106	167	186	104	286
100	56	160	363	119	167	186	104	286
125	66	160	398	128	167	186	104	286
150	71	160	413	143	167	186	104	286
200	87	245	441	175	191	202	130	330
250	112	245	476	211	191	202	130	330

■ ANSI (Unit: inch)

inch	mm	L	D ₃	H	H ₁	A ₁	A ₂	A ₃	A ₄
1 1/2	40	1.54	6.30	12.32	2.95	6.57	7.32	4.09	11.26
2	50	1.65	6.30	12.72	3.27	6.57	7.32	4.09	11.26
2 1/2	65	1.81	6.30	13.11	3.66	6.57	7.32	4.09	11.26
3	80	1.81	6.30	13.70	4.17	6.57	7.32	4.09	11.26
4	100	2.20	6.30	14.29	4.69	6.57	7.32	4.09	11.26
5	125	2.60	6.30	15.67	5.04	6.57	7.32	4.09	11.26
6	150	2.80	6.30	16.26	5.63	6.57	7.32	4.09	11.26
8	200	3.43	9.65	17.36	6.89	7.52	7.95	5.12	12.99
10	250	4.41	9.65	18.74	8.31	7.52	7.95	5.12	12.99

AUTOMATIC

ELECTRIC

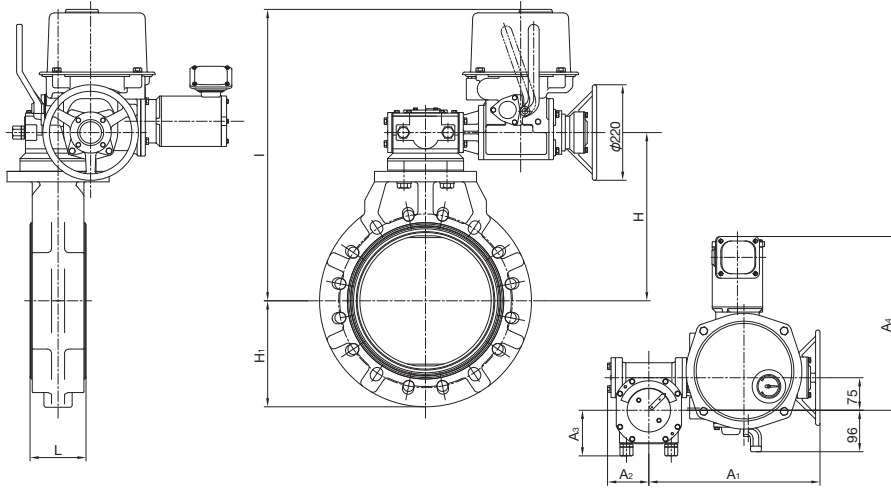
TYPE S

Three-Phase
AC200V
Three-Phase
AC400V

BUTTERFLY VALVE TYPE 57

TYPE—A57S

CONNECTION / WAFER—JIS, DIN, ANSI



ACTUATOR SELECTION CHART

SIZE	ACTUATOR TYPE
300mm (12inch)	LTRM-01 / BRM1 (AUTOMATIC RETURN MECHANISM)
350mm (14inch)	LTRH-01 / BRM1 (MANUAL RETURN MECHANISM)

For detailed specifications, see **P.135**

■ JIS, DIN (Unit: mm)

mm	L	H	H ₁	I	A ₁	A ₂	A ₃	A ₄
300	129	387	244	671	394	95	105	400
350	129	414	270	698	394	95	105	400

■ ANSI (Unit: inch)

inch	mm	L	H	H ₁	I	A ₁	A ₂	A ₃	A ₄
12	300	5.08	15.24	9.61	26.42	15.51	3.74	4.13	15.75
14	350	5.08	16.30	10.63	27.48	15.51	3.74	4.13	15.75

ASAHI AV

BUTTERFLY VALVE TYPE 56

• EASY SWITCHING FROM GEAR TYPE TO AUTOMATIC VALVE

BASIC SPECIFICATIONS

VALVE TYPE ————— BUTTERFLY VALVE TYPE 56

SIZE ————— 400 mm (16 inch)

BODY MATERIAL ——— **PP** **PVDF**

SEAL MATERIAL / SEAT — **EPDM** **FKM** etc.

CONNECTION / WAFER — JIS10K, DIN, ANSI

	FLUID TEMPERATURE	MAXIMUM WORKING PRESSURE (NORMAL TEMPERATURE) MPa(kgf/cm ²)
		400mm
PP	-20°C ~ 80°C	0.6 {6.1}
PVDF	-20°C ~ 120°C	0.6 {6.1}

NOTE The maximum working pressure is the value including the water hammer pressure. Be careful that the maximum working pressure is not exceeded during use.
 * Concerning the allowable pressure for each temperature and material, see the technical documents at the end of this catalog.

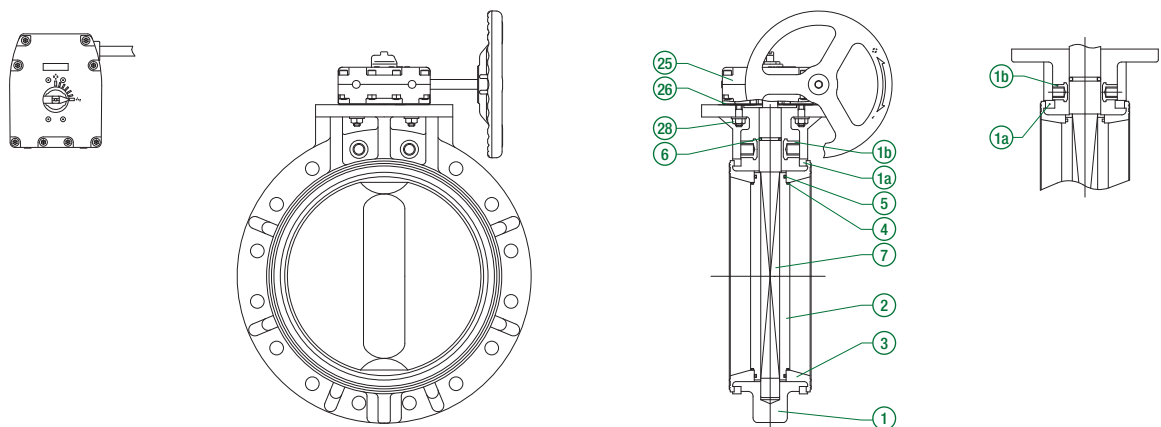
MANUAL



AUTOMATIC



PARTS LIST **MANUAL**



PART NO. / NAME	QTY	MATERIAL	PART NO. / NAME	QTY	MATERIAL	PART NO. / NAME	QTY	MATERIAL
① BODY	1	BODY — DISC PP — PP PVDF — PVDF	⑤ O-RING (B)	2	EPDM, FKM, etc.	②⑥ GASKET (A)	1	EPDM
② DISC	1		⑥ O-RING (C)	1	EPDM, FKM, etc.	②⑧ BOLT (C)	1	SUS304
③ SEAT	1	EPDM, FKM, etc.	⑦ STEM	1	SUS403	①② RING	2	SS400 (EPOXY POWDER COATING)
④ O-RING (A)	2	EPDM, FKM, etc.	②⑤ GEAR BOX	1	RESIN, etc.	①③ EMBEDDED BODY FITTING	1	C3604

SPECIFICATION LIST **MANUAL**

LEVER TYPE	SIDE GEAR TYPE	TOP GEAR TYPE	
—	○	○	
CHAIN TYPE	LONG STEM TYPE	FLOAT TYPE	WITH LIMIT SWITCH
○	○	○	○

COMPATIBLE ACTUATOR **AUTOMATIC**

PNEUMATIC TYPE TA For detailed specifications, see **P.123**

ELECTRIC TYPE S For detailed specifications, see **P.135**

* For other specifications, contact our sales office in your area.

PRODUCT MODEL
CODE LIST
MANUAL

ACTUATION	TYPE	OPERATING SYSTEM	BODY MATERIAL	SEAL MATERIAL	CONNECTION	STANDARD	SIZE
V	56	SG	*	*	W	*	400
V MANUAL VALVE	56 TYPE 56	SG SIDE GEAR TYPE	P PP F PVDF	E EPDM V FKM	W WAFER	1 JIS10K W — D DIN A ANSI	400 400mm

PRODUCT MODEL
CODE LIST
AUTOMATIC

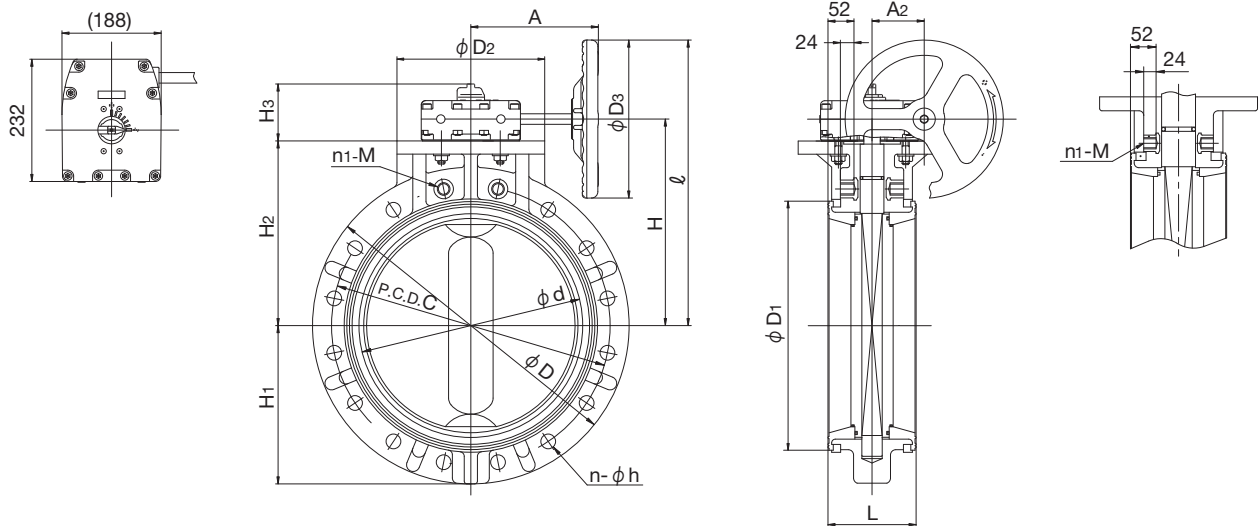
ACTUATION	TYPE	ACTUATOR TYPE	ACTION / POWER SOURCE	BODY MATERIAL	SEAL MATERIAL	CONNECTION	STANDARD	SIZE
A	56	*	*	*	*	W	*	400
A AUTOMATIC VALVE	56 TYPE 56	PNEUMATIC K TYPE TA ELECTRIC S TYPE S	PNEUMATIC F DOUBLE ACTING G AIR TO OPEN S AIR TO CLOSE ELECTRIC 3 Three-Phase AC200V 4 Three-Phase AC400V	P PP F PVDF	E EPDM V FKM	W WAFER	1 JIS10K W — D DIN A ANSI	400 400mm

MANUAL

BUTTERFLY VALVE TYPE 56

TYPE—V56SG

CONNECTION / WAFER—JIS, DIN, ANSI



■ JIS, DIN (Unit: mm)

														JIS10K			WATERWORKS			DIN PN10			HANDLE ROTATION		
mm	d	D	D ₁	D ₂	D ₃	L	H	H ₁	H ₂	H ₃	ℓ	A	A ₂	C	n	h	n ₁	M	C	n	h	C		n	h
400	406	600	470	235	300	169	390	300	350	108	540	272	99.2	510	14	27	2	M24	—	—	—	515	16	26	9.5

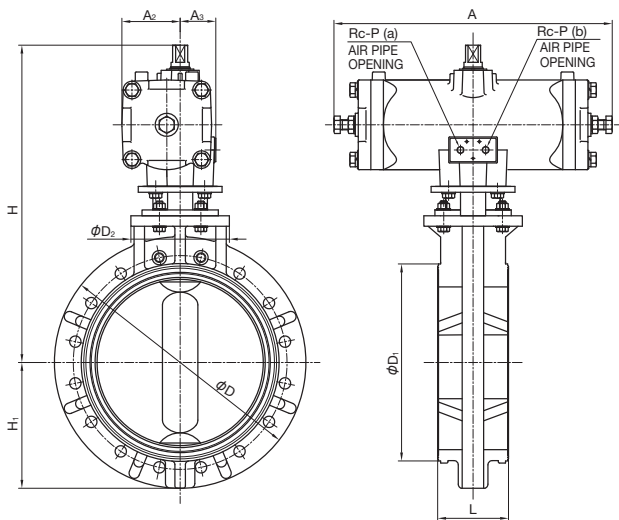
■ ANSI (Unit: inch)

														ANSI CLASS 150			HANDLE ROTATION	GEAR BOX TYPE	
inch	mm	d	D	D ₁	D ₂	D ₃	L	H	H ₁	H ₂	H ₃	ℓ	A	A ₂	C	n			h
16	400	15.98	23.62	18.50	9.25	11.81	6.65	15.35	11.81	13.78	4.25	21.26	10.71	3.91	21.25	16	1.12	9.5	TYPE3

AUTOMATIC PNEUMATIC TYPE TA
DOUBLE ACTING
 AIR TO OPEN
 AIR TO CLOSE

BUTTERFLY VALVE TYPE 56

TYPE—A56K
 CONNECTION / WAFER—JIS, DIN, ANSI



ACTUATOR SELECTION CHART

SIZE	ACTUATOR TYPE
400mm (16 inch)	TA-200D

For detailed specifications, see **P.123**

■ JIS, DIN (Unit: mm)

mm	L	D	D ₁	D ₂	H	H ₁	A	A ₂	A ₃	P
400	169	600	470	235	757	300	664	139	85	3/8

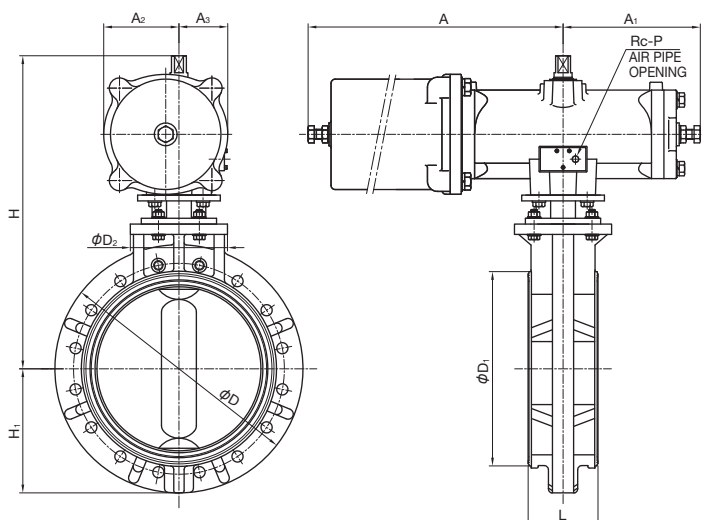
■ ANSI (Unit: inch)

inch	mm	L	D	D ₁	D ₂	H	H ₁	A	A ₂	A ₃	P
16	400	6.65	23.62	18.50	9.25	29.80	11.81	26.14	5.47	3.35	3/8

AUTOMATIC PNEUMATIC TYPE TA
DOUBLE ACTING
 AIR TO OPEN
 AIR TO CLOSE

BUTTERFLY VALVE TYPE 56

TYPE—A56K
 CONNECTION / WAFER—JIS, DIN, ANSI



ACTUATOR SELECTION CHART

SIZE	ACTUATOR TYPE
400mm (16inch)	TA-200R

For detailed specifications, see **P.123**

■ JIS, DIN (Unit: mm)

mm	L	D	D ₁	D ₂	H	H ₁	A	A ₁	A ₂	A ₃	P
400	169	600	470	235	757	300	943	332	182	118	3/8

■ ANSI (Unit: inch)

inch	mm	L	D	D ₁	D ₂	H	H ₁	A	A ₁	A ₂	A ₃	P
16	400	6.65	23.62	18.50	9.25	29.80	37.13	13.07	7.17	4.65	3/8	

AUTOMATIC

ELECTRIC

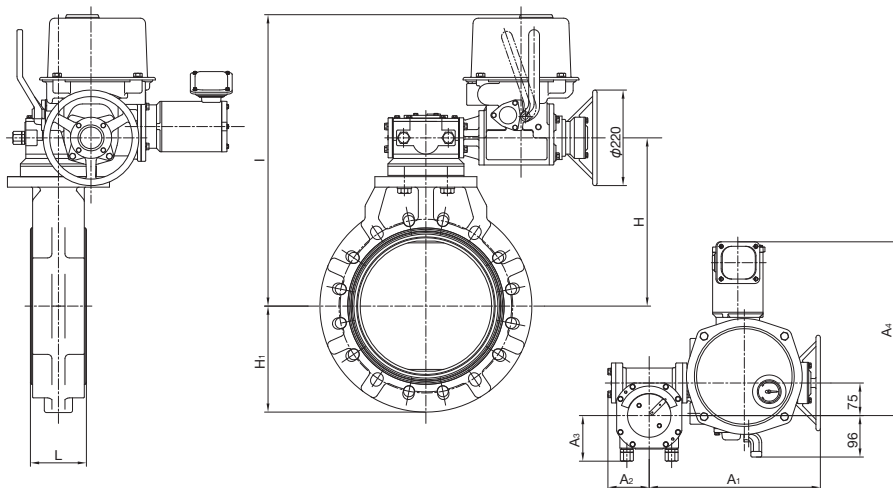
TYPE S

Three-Phase
AC200V
*
Three-Phase
AC400V

BUTTERFLY VALVE TYPE 56

TYPE—A56S

CONNECTION / WAFER—JIS, DIN, ANSI



ACTUATOR SELECTION CHART

SIZE	ACTUATOR TYPE
400mm (16inch)	LTRM-01/BRM2 (AUTOMATIC RETURN MECHANISM)
	or LTRH-01/BRM2 (MANUAL RETURN MECHANISM)

For detailed specifications, see **P.135**

■ JIS, DIN (Unit: mm)

mm	L	D ₃	H	H ₁	A ₁	A ₂	A ₃	A ₄
400	169	433	300	717	430	116	126	409

■ ANSI (Unit: inch)

inch	mm	L	D ₃	H	H ₁	A ₁	A ₂	A ₃	A ₄
16	400	6.65	17.05	11.81	28.23	16.93	4.57	4.96	16.10

BUTTERFLY VALVE TYPE 75

• SMALL FACE-TO-FACE DIMENSION FACILITATES MOUNTING ON PIPING.

BASIC SPECIFICATIONS

VALVE TYPE ————— **BUTTERFLY VALVE TYPE 75**

SIZE ————— **450 mm—600 mm (18 inch—24 inch)**

BODY MATERIAL ————— **PP PVDF**

SEAL MATERIAL / SEAT ————— **EPDM FKM etc.**

CONNECTION / WAFER ————— **JIS10K, DIN, ANSI**

	FLUID TEMPERATURE	MAXIMUM WORKING PRESSURE (NORMAL TEMPERATURE) MPa(kgf/cm ²)	
		450mm	500 mm, 600 mm
PP	-20°C ~ 80°C	0.5 {5.1}	0.35 {3.6}
PVDF	-20°C ~ 120°C		

NOTE The maximum working pressure is the value including the water hammer pressure. Be careful that the maximum working pressure is not exceeded during use.
 * Concerning the allowable pressure for each temperature and material, see the technical documents at the end of this catalog.

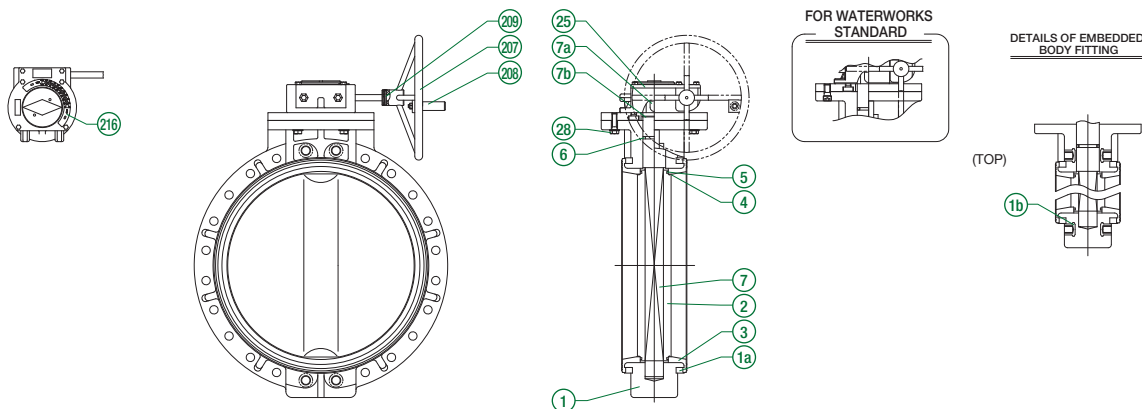
MANUAL



AUTOMATIC



PARTS LIST **MANUAL**



PART NO. / NAME	QTY	MATERIAL	PART NO. / NAME	QTY	MATERIAL	PART NO. / NAME	QTY	MATERIAL
① BODY	1	PP, PVDF	⑦ STEM	1	SUS403	208 HANDLE GRIP	1	NYLON, etc.
② DISC	1	PP, PVDF	7a KEY (A)	1	S45C	209 SPRING PIN	1	SUS304
③ SEAT	1	EPDM, FKM, etc.	7b C-SHAPED STOP RING	1	Used for SUS304 450 mm.	216 OPENING DEGREE DISPLAY PLATE	1	SUS304
④ O-RING (A)	2	EPDM, FKM, etc.	25 GEAR BOX	1	FC250, etc. by Rotork (EPOXY PAINT)	1a RING	2	SS400 (EPOXY POWDER COATING)
⑤ O-RING (B)	2	EPDM, FKM, etc.	26 BOLT (C)	4	SUS304	1b EMBEDDED BODY FITTING ⁽¹⁾	8	C3604
⑥ O-RING (C)	1	EPDM, FKM, etc.	27 HANDLE (C)	1	FC250 (POLYURETHANE PAINT)			

NOTE (1) Only used for JIS10K standard.

SPECIFICATION LIST **MANUAL**

LEVER TYPE	SIDE GEAR TYPE	TOP GEAR TYPE	
—	○	○	
CHAIN TYPE	LONG STEM TYPE	FLOAT TYPE	WITH LIMIT SWITCH
○	○	○	○

* For other specifications, contact our sales office in your area.

COMPATIBLE ACTUATOR **AUTOMATIC**

PNEUMATIC TYPE TW For detailed specifications, see P.123

ELECTRIC TYPE S For detailed specifications, see P.135

PRODUCT MODEL
CODE LIST
MANUAL

ACTUATION	TYPE	OPERATING SYSTEM	BODY MATERIAL	SEAL MATERIAL	CONNECTION	STANDARD	SIZE
V	75	SG	*	*	W	*	***
V MANUAL VALVE	75 TYPE 75	SG SIDE GEAR TYPE	P PP F PVDF	E EPDM V FKM	W WAFER	1 JIS10K W — D DIN A ANSI	450 450mm 600 600mm

PRODUCT MODEL
CODE LIST
AUTOMATIC

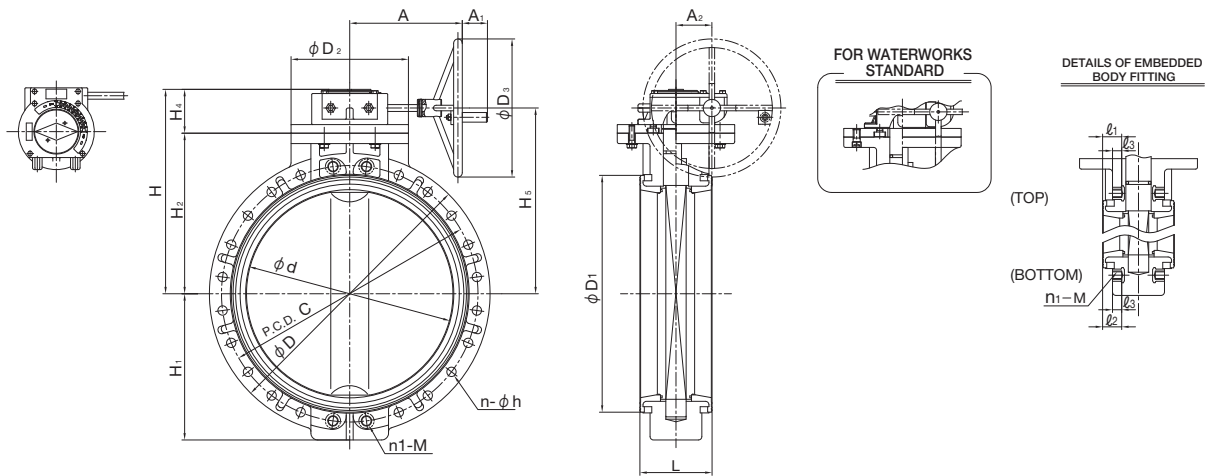
ACTUATION	TYPE	ACTUATOR TYPE	ACTION / POWER SOURCE	BODY MATERIAL	SEAL MATERIAL	CONNECTION	STANDARD	SIZE
A	75	*	*	*	*	W	*	***
A AUTOMATIC VALVE	75 TYPE 75	PNEUMATIC K TYPE TW ELECTRIC S TYPE S	PNEUMATIC F DOUBLE ACTING ELECTRIC 3 Three-Phase AC200V 4 Three-Phase AC400V	P PP F PVDF	E EPDM V FKM	W WAFER	1 JIS10K W — D DIN A ANSI	450 450mm 600 600mm

MANUAL

BUTTERFLY VALVE TYPE 75

TYPE—V75SG

CONNECTION / WAFER—JIS, DIN, ANSI



■ JIS, DIN (Unit: mm)

mm	d	D		D ₁	D ₂	D ₃	L	H	H ₁	H ₂	H ₄	H ₅	A	A ₁	A ₂	OPEN/CLOSE ROTATION	JIS10K				WATERWORKS			DIN PN10			
		PP	PVDF														C	n	h	n ₁	M	C	n	h	C	n	h
450	452	633	630	525	340	400	179	497	315	370	127	443	326	75.5	104.5	13.75	565	16	27	4	M24	—	—	—	565	20	26
500	502	683	680	575	340	400	190	527	350	400	127	473	326	75.5	104.5	13.75	620	16	27	4	M24	—	—	—	620	20	26
600	603	793	790	686	340	400	209	592	424	465	127	538	326	75.5	104.5	13.75	730	20	33	4	M30	—	—	—	725	20	30

■ JIS10K (UNIT: mm)

mm	d	THRU HOLE n	NO. OF FITTINGS USED			ℓ ₁	ℓ ₂	ℓ ₃
			TOP	BOTTOM	TOTAL 2 × n1			
450	M24	16	2×2	2×2	8	49	54	24
500	M24	16	2×2	2×2	8	49	59	24
600	M30	20	2×2	2×2	8	64	64	30

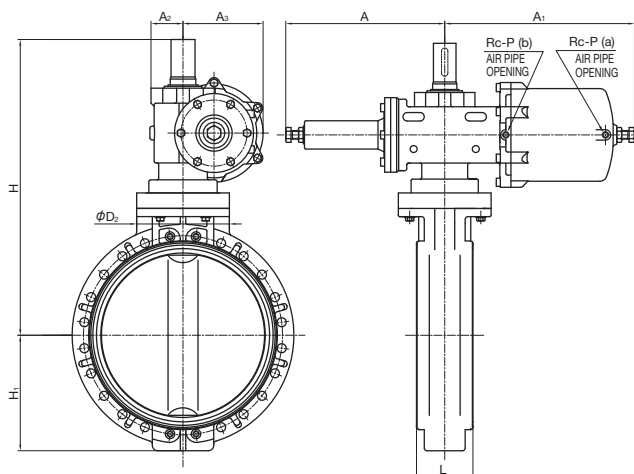
■ ANSI (Unit: inch)

inch	mm	d	D		D ₁	D ₂	D ₃	L	H	H ₁	H ₂	H ₄	H ₅	A	A ₁	A ₂	OPEN/CLOSE ROTATION	ANSI CLASS 150		
			PP	PVDF														C	n	h
18	450	17.80	24.92	24.80	20.67	13.39	15.75	7.05	19.57	12.40	14.57	5.00	17.44	12.83	2.97	4.11	13.75	22.75	16	1.25
20	500	19.76	26.89	26.77	22.64	13.39	15.75	7.48	20.75	13.78	15.75	5.00	18.62	12.83	2.97	4.11	13.75	25.00	20	1.25
24	600	23.74	31.22	31.10	27.01	13.39	15.75	8.23	23.31	16.69	18.31	5.00	21.18	12.83	2.97	4.11	13.75	29.50	20	1.38

AUTOMATIC PNEUMATIC TYPE TW
DOUBLE ACTING
 AIR TO OPEN
 AIR TO CLOSE

BUTTERFLY VALVE TYPE 75

TYPE—A75K
 CONNECTION / WAFER—JIS, DIN, ANSI



ACTUATOR SELECTION CHART

SIZE	ACTUATOR TYPE
450mm (18inch)	TW-250D
500mm (20inch)	
600mm (24inch)	

For detailed specifications, see **P.123**

■ JIS, DIN (Unit: mm)

mm	L	D ₁	D ₂	H	H ₁	A	A ₁	A ₂	A ₃	P
450	179	525	340	825	315	450	537	88	214	3/8
500	190	575	340	855	350	450	537	88	214	3/8
600	209	686	340	920	424	450	537	88	214	3/8

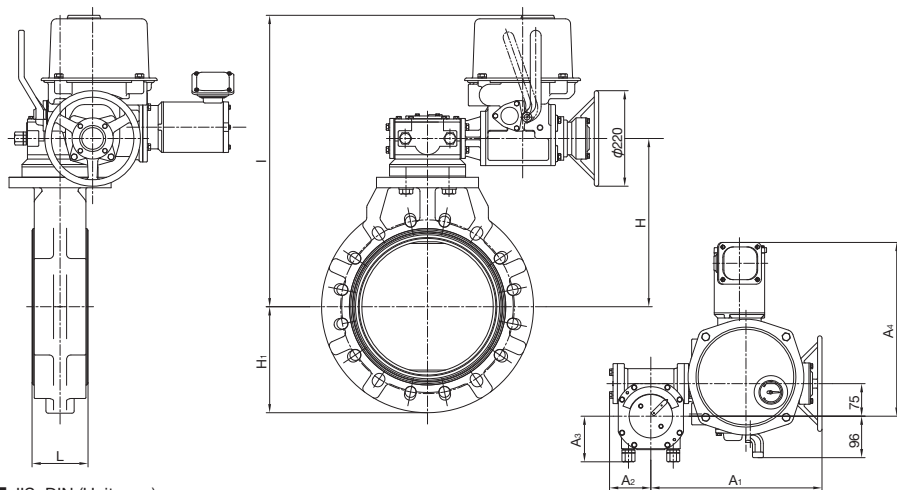
■ ANSI (Unit: inch)

inch	mm	L	D ₁	D ₂	H	H ₁	A	A ₁	A ₂	A ₃	P
18	450	7.05	20.67	13.39	32.48	12.40	17.72	21.14	3.46	8.43	3/8
20	500	7.48	22.64	13.39	33.66	13.78	17.72	21.14	3.46	8.43	3/8
24	600	8.23	27.01	13.39	36.22	16.69	17.72	21.14	3.46	8.43	3/8

AUTOMATIC ELECTRIC TYPE S
 Three-Phase AC200V
 Three-Phase AC400V

BUTTERFLY VALVE TYPE 75

TYPE—A75S
 CONNECTION / WAFER—JIS, DIN, ANSI



ACTUATOR SELECTION CHART

SIZE	ACTUATOR TYPE
450mm (18inch)	LTRM-01/BRM2 (AUTOMATIC RETURN MECHANISM) or LTRH-01/BRM2 (MANUAL RETURN MECHANISM)
500mm (20inch)	
600mm (24inch)	

For detailed specifications, see **P.135**

■ JIS, DIN (Unit: mm)

mm	L	D ₃	H	H ₁	A ₁	A ₂	A ₃	A ₄
450	179	468	315	752	430	116	126	409
500	190	498	350	782	430	116	126	409
600	209	563	424	847	430	116	126	409

■ ANSI (Unit: inch)

inch	mm	L	D ₃	H	H ₁	A ₁	A ₂	A ₃	A ₄
18	450	7.05	18.43	12.40	29.61	16.93	4.57	4.96	16.10
20	500	7.48	19.61	13.78	30.79	16.93	4.57	4.96	16.10
24	600	8.23	22.17	16.69	33.35	16.93	4.57	4.96	16.10

ASAHI AV

BUTTERFLY VALVE TYPE 56D, 75D

• USE OF PDCPD BODY IMPROVED PRESSURE RESISTANCE PERFORMANCE.

BASIC SPECIFICATIONS

VALVE TYPE ————— **BUTTERFLY VALVE TYPE 56D, 75D**
SIZE ————— **400 mm—600 mm (16 inch—24 inch)**
BODY MATERIAL ————— **PDCPD**
SEAL MATERIAL / SEAT — **EPDM** **FKM**
CONNECTION / WAFER — **JIS10K, DIN, ANSI**

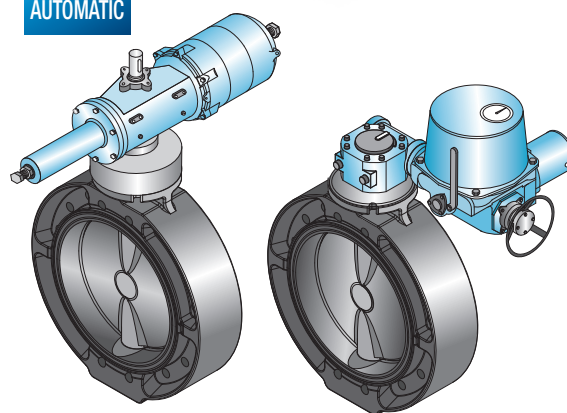
	FLUID TEMPERATURE	MAXIMUM WORKING PRESSURE (NORMAL TEMPERATURE) MPa(kg/cm ²) FOR WAFER
PDCPD (DISC MATERIAL— PP)	-20°C ~ 90°C	0.75 {7.7}
PDCPD (DISC MATERIAL— PVDF)	-20°C ~ 100°C	0.75 {7.7}

NOTE The maximum working pressure is the value including the water hammer pressure. Be careful that the maximum working pressure is not exceeded during use.
 * Concerning the allowable pressure for each temperature and material, see the technical documents at the end of this catalog.

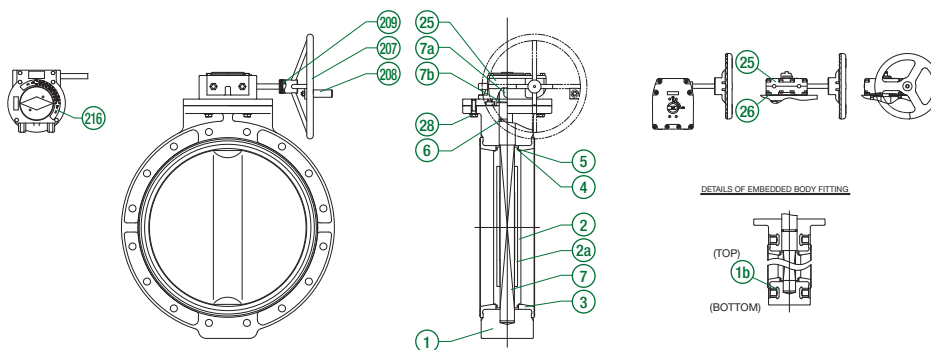
MANUAL



AUTOMATIC



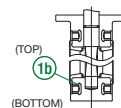
PARTS LIST **MANUAL**



PART NO. / NAME	QTY	MATERIAL	MEMO
① BODY	1	PDCPD	
①b EMBEDDED BODY FITTING	8	C3604	JIS10K 450mm—600mm
	4	C3604	JIS10K 400mm
② DISC	1	PP, PVDF	
②a DISC INSERT	1	AC4C	450mm—600mm
③ SEAT	1		
④ O-RING (A)	2	EPDM, FKM, etc.	
⑤ O-RING (B)	2		
⑥ O-RING (C)	1		
⑦ STEM	1	SUS403	

PART NO. / NAME	QTY	MATERIAL	MEMO
⑦a KEY (A)	1	S45C	
⑦b C-SHAPED STOP RING	1	SUS304	450mm
②5 GEAR BOX	1	FC250, etc. (POLYURETHANE PAINT)	450mm—600mm
		RESIN, etc.	400mm
②6 GASKET (A)	1	EPDM	400mm
②8 BOLT (C)	4	SUS304	
②7 HANDLE (C)	1	FC250	(POLYURETHANE PAINT)
②8 HANDLE GRIP	4	NYLON, etc.	
②9 SPRING PIN		SUS304	
②16 OPENING DEGREE DISPLAY PLATE	1	SUS304	

DETAILS OF EMBEDDED BODY FITTING



SPECIFICATION LIST **MANUAL**

LEVER TYPE	SIDE GEAR TYPE	TOP GEAR TYPE	
—	<input checked="" type="radio"/>	<input checked="" type="radio"/>	
CHAIN TYPE	LONG STEM TYPE	FLOAT TYPE	WITH LIMIT SWITCH
<input checked="" type="radio"/>	<input checked="" type="radio"/>	—	<input checked="" type="radio"/>

* For other specifications, contact our sales office in your area.

COMPATIBLE ACTUATOR **AUTOMATIC**

PNEUMATIC TYPE TW For detailed specifications, see **P.123**

ELECTRIC TYPE S For detailed specifications, see **P.135**

PRODUCT MODEL CODE LIST

MANUAL

ACTUATION	TYPE	OPERATING SYSTEM	BODY MATERIAL	SEAL MATERIAL	CONNECTION	STANDARD	SIZE	DISC PVDF
V	**	SG	D	*	W	*	***	OOQ*
⋮	⋮	⋮	⋮	⋮	⋮	⋮	⋮	⋮
V MANUAL VALVE	56 TYPE 56D 75 TYPE 75D	SG SIDE GEAR TYPE	D PDCPD	E EPDM V FKM	W WAFER	1 JIS10K W — D DIN A ANSI	400 400mm ? 400mm 600 600mm	* Used when the disc material is PVDF.

PRODUCT MODEL CODE LIST

AUTOMATIC

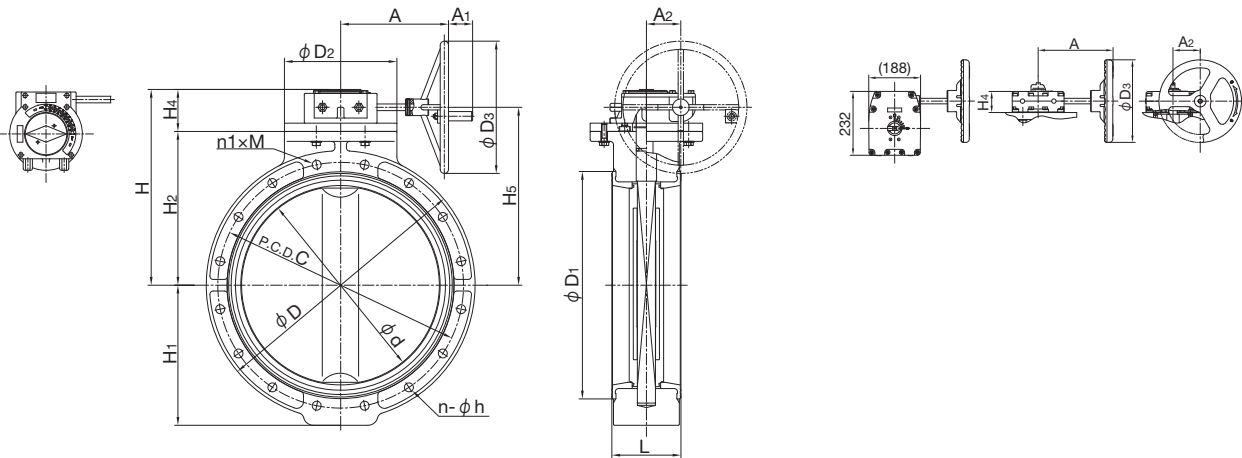
ACTUATION	TYPE	ACTUATOR TYPE	ACTION / POWER SOURCE	BODY MATERIAL	SEAL MATERIAL	CONNECTION	STANDARD	SIZE
A	**	*	*	D	E	W	*	***
⋮	⋮	⋮	⋮	⋮	⋮	⋮	⋮	⋮
A AUTOMATIC VALVE	56 TYPE 56D 75 TYPE 75D	PNEUMATIC K TYPE TW ELECTRIC S TYPE S	PNEUMATIC F DOUBLE ACTING ELECTRIC 3 Three-Phase AC200V 4 Three-Phase AC400V	D PDCPD	E EPDM	W WAFER	1 JIS10K W — D DIN A ANSI	400 400mm ? 400mm 600 600mm

MANUAL

BUTTERFLY VALVE TYPE 56D, 75D

TYPE—V56SG, V75SG

CONNECTION / WAFER—JIS, DIN, ANSI



■ JIS, DIN (Unit: mm)

mm	d	D	D ₁	D ₂	D ₃	L	H	H ₁	H ₂	H ₄	H ₅	A	A ₁	A ₂	JIS10K					WATERWORKS			DIN PN10			OPEN/CLOSE ROTATION
															C	n	h	m ₁	M	C	n	h	C	n	h	
400	406	620	470	235	300	169	458	315	350	108	390	272	—	99.2	510	14	27	2	M24	—	—	—	515	16	26	9.5
450	452	665	525	340	400	179	497	335	370	127	443	326	75.5	104.5	565	16	27	4	M24	—	—	—	565	20	26	13.75
500	502	720	575	340	400	190	527	365	400	127	473	326	75.5	104.5	620	16	27	4	M24	—	—	—	620	20	26	13.75
600	603	813	686	340	400	209	592	424	465	127	538	326	75.5	104.5	730	20	33	4	M30	—	—	—	725	20	30	13.75

■ JIS10K (UNIT: mm)

mm	M	THRU HOLE n	NO. OF FITTINGS USED			ℓ_1	ℓ_2
			TOP	BOTTOM	TOTAL 2 × n1		
400	M24	14	2×2	—	4	36	24
450	M24	16	2×2	2×2	8	36	24
500	M24	16	2×2	2×2	8	36	24
600	M30	20	2×2	2×2	8	43	30

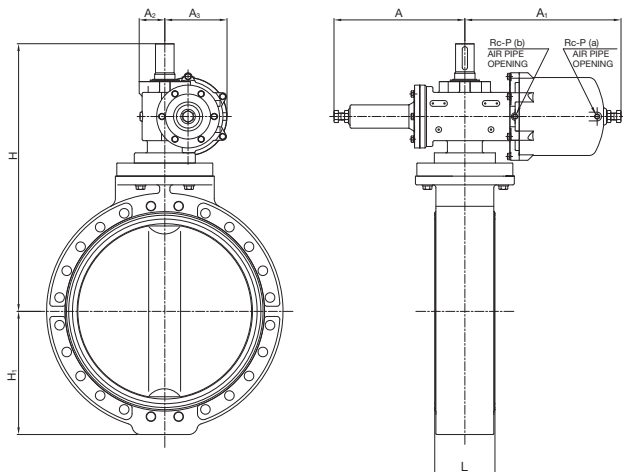
■ ANSI (Unit: inch)

inch	mm	d	D	D ₁	D ₂	D ₃	L	H	H ₁	H ₂	H ₄	H ₅	A	A ₁	A ₂	ANSI CLASS 150			OPEN/CLOSE ROTATION	GEAR BOX TYPE
																C	n	h		
16	400	15.98	24.41	18.50	9.25	11.81	6.65	18.03	12.40	13.78	4.25	15.35	10.71	—	3.91	21.26	16	1.12	9.5	TYPE 3
18	450	17.80	26.18	20.67	13.39	15.75	7.05	19.57	13.19	14.57	5.00	17.44	12.83	2.97	4.11	22.76	20	1.26	13.75	AB1250N
20	500	19.76	28.35	22.64	13.39	15.75	7.48	20.75	14.37	15.75	5.00	18.62	12.83	2.97	4.11	25.00	20	1.26	13.75	
24	600	23.74	32.01	27.01	13.39	15.75	8.23	23.31	16.69	18.31	5.00	21.18	12.83	2.97	4.11	29.53	20	1.38	13.75	

AUTOMATIC **PNEUMATIC** **TYPE TW** **DOUBLE ACTING**
 AIR TO OPEN
 AIR TO CLOSE

BUTTERFLY VALVE TYPE 56D, 75D

TYPE—A56K, A75K
 CONNECTION / WAFER—JIS, DIN, ANSI



ACTUATOR SELECTION CHART

SIZE	ACTUATOR TYPE
400mm (16inch)	TW-250D-F14
450mm (18inch)	TW-250D-F16
500mm (20inch)	
600mm (24inch)	

For detailed specifications, see **P.123**

■ JIS, DIN (Unit: mm)

mm	L	D ₃	H	H ₁	A ₁	A ₂	A ₃	A ₄
400	169	760	315	450	537	88	214	3/8
450	179	825	335	450	537	88	214	3/8
500	190	855	365	450	537	88	214	3/8
600	209	920	424	450	537	88	214	3/8

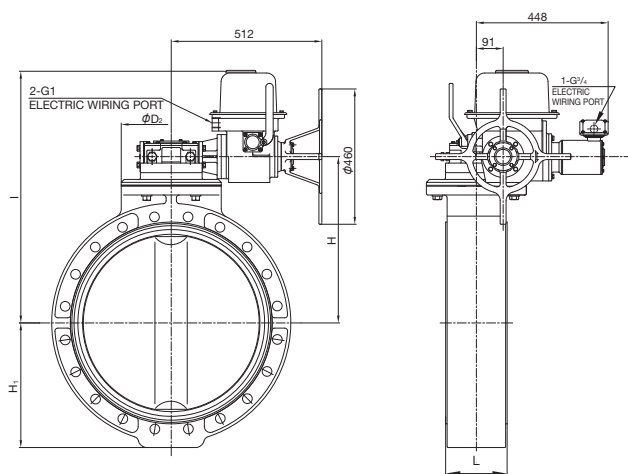
■ ANSI (Unit: inch)

inch	mm	L	D ₃	H	H ₁	A ₁	A ₂	A ₃	A ₄
16	400	6.65	29.92	12.40	17.72	21.14	3.46	8.43	3/8
18	450	7.05	32.48	13.19	17.72	21.14	3.46	8.43	3/8
20	500	7.48	33.66	14.37	17.72	21.14	3.46	8.43	3/8
24	600	8.23	36.22	16.69	17.72	21.14	3.46	8.43	3/8

AUTOMATIC **ELECTRIC** **TYPE S** **Three-Phase AC200V**
Three-Phase AC400V

BUTTERFLY VALVE TYPE 56D, 75D

TYPE—A56S, A75S
 CONNECTION / WAFER—JIS, DIN, ANSI



ACTUATOR SELECTION CHART

SIZE	ACTUATOR TYPE
400mm (16inch)	LTMD-01/ BRM-3
450mm (18inch)	
500mm (20inch)	
600mm (24inch)	

For detailed specifications, see **P.135**

■ JIS, DIN (Unit: mm)

mm	L	D ₃	H	H ₁
400	169	461	315	754
450	179	471	335	764
500	190	501	365	794
600	209	566	424	859

■ ANSI (Unit: inch)

inch	mm	L	D ₃	H	H ₁
16	400	6.65	18.15	12.40	29.69
18	450	7.05	18.54	13.19	30.08
20	500	7.48	19.72	14.37	31.26
24	600	8.23	22.28	16.69	33.82

ASAHI AV

BUTTERFLY VALVE TYPE 55

- HIGH CORROSION RESISTANCE AGAINST CORROSIVE FLUID (IDEAL FOR CORROSIVE CHEMICAL LINE)
- Cv VALUE IS IMPROVED BY REDUCED DISC THICKNESS AND LARGER OPENING AREA.
- EXCELLENT HEAT AND COLD RESISTANCE ALLOWING FOR CONTINUOUS OPERATION AT -20 TO 100°C
- SIMPLE STEM SEAL STRUCTURE FACILITATES MAINTENANCE.

BASIC SPECIFICATIONS

VALVE TYPE ————— **BUTTERFLY VALVE TYPE 55**

SIZE / LEVER TYPE ————— **50 mm—125 mm (2 inch—5 inch)**

GEAR TYPE ————— **50 mm—250 mm (2 inch—10 inch)**

BODY MATERIAL ————— **FCD-S (EPOXY POWDER COATING)**

SEAL MATERIAL / SEAT ————— **PTFE**

CONNECTION / WAFER ————— **JIS10K, JIS5K, DIN, ANSI**

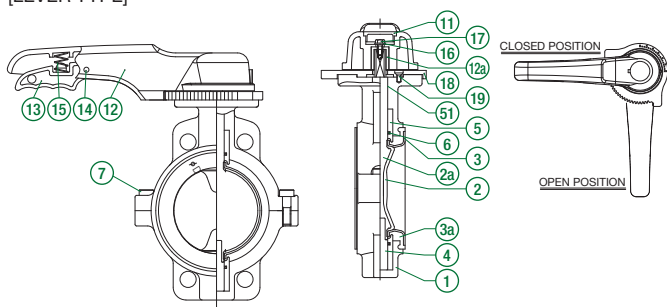
	FLUID TEMPERATURE	MAXIMUM WORKING PRESSURE (NORMAL TEMPERATURE) MPa(kgf/cm ²)
FCD-S	-20°C ~ 100°C	1.0 {10.2}

NOTE The maximum working pressure is the value including the water hammer pressure. Be careful that the maximum working pressure is not exceeded during use.
 * Concerning the allowable pressure for each temperature and material, see the technical documents at the end of this catalog.

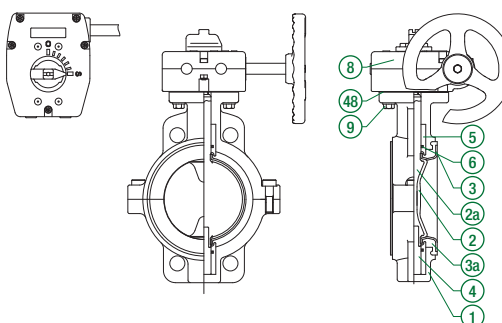


PARTS LIST **MANUAL**

[LEVER TYPE]



[GEAR TYPE]



PART NO. / NAME	QTY	MATERIAL
① BODY	1	FCD-S (EPOXY POWDER COATING)
② DISC	1	PTFE
②a DISC INSERT	1	SUS304
③ SEAT	1	PTFE
③a SEAT CUSHION	1	CR
④ STEM	1	SUS304
⑤ BUSH	2	SUS304
⑥ O-RING	2	EPDM
⑦ BOLT (A)	—	SUS304

ONLY USED FOR LEVER TYPE

PART NO. / NAME	QTY	MATERIAL	PART NO. / NAME	QTY	MATERIAL
⑪ CAP	1	PP	⑮ WASHER	1	SUS304
⑫ HANDLE	1	PP	⑰ BOLT (C)	1	SUS304
⑫a EMBEDDED HANDLE FITTING	1	SUS316	⑱ LOCKING PLATE	1	PPG
⑬ HANDLE LEVER	1	PPG	⑲ STOP RING	4	SUS304
⑭ PIN	1	PPG	⑵ O-RING (B)	1	NBR
⑮ SPRING	1	SUS304			

ONLY USED FOR GEAR TYPE

PART NO. / NAME	QTY	MATERIAL
⑧ GEAR BOX	1	RESIN, etc.
⑨ BOLT (B)	4	SUS304
⑹ GASKET (C)	1	EPDM

SPECIFICATION LIST **MANUAL**

LEVER TYPE		SIDE GEAR TYPE		TOP GEAR TYPE	
○		○		—	
CHAIN TYPE	LONG STEM TYPE	FLOAT TYPE	WITH LIMIT SWITCH		
—	—	—	○		

* For other specifications, contact our sales office in your area.

COMPATIBLE ACTUATOR **AUTOMATIC**

PNEUMATIC TYPE TA For detailed specifications, see P.123

ELECTRIC TYPE T For detailed specifications, see P.139

ELECTRIC TYPE S For detailed specifications, see P.133

PRODUCT MODEL CODE LIST
MANUAL

ACTUATION	TYPE	OPERATING SYSTEM	BODY MATERIAL	SEAL MATERIAL	CONNECTION	STANDARD	SIZE
V	55	**	S	T	W	*	***
⋮	⋮	⋮	⋮	⋮	⋮	⋮	⋮
V MANUAL VALVE	55 TYPE 55	LV LEVER TYPE SG SIDE GEAR TYPE	S FCDS	T PTFE	W WAFER	1 JIS10K 5 JIS5K D DIN A ANSI	050 50mm } 250 250mm

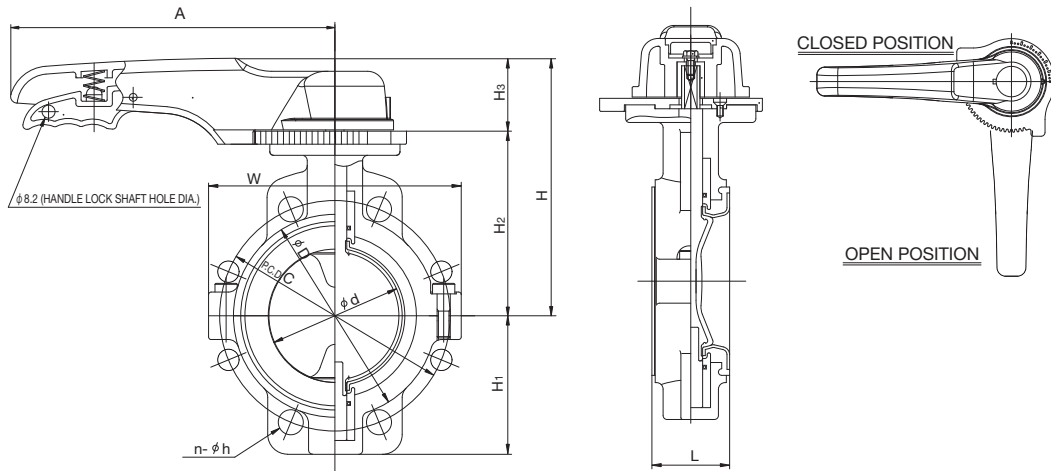
PRODUCT MODEL CODE LIST
AUTOMATIC

ACTUATION	TYPE	ACTUATOR TYPE	ACTION / POWER SOURCE	BODY MATERIAL	SEAL MATERIAL	CONNECTION	STANDARD	SIZE
A	55	*	*	S	T	W	*	***
⋮	⋮	⋮	⋮	⋮	⋮	⋮	⋮	⋮
A AUTOMATIC VALVE	55 TYPE 55	PNEUMATIC K TYPE TA ELECTRIC T TYPE T S TYPE S	PNEUMATIC F DOUBLE ACTING G AIR TO OPEN S AIR TO CLOSE ELECTRIC 1 Single-Phase 100V 2 Single-Phase 200V 3 Three-Phase AC200V 4 Three-Phase AC400V	S FCDS	T PTFE	W WAFER	1 JIS10K 5 JIS5K D DIN A ANSI	050 50mm } 250 250mm

MANUAL

BUTTERFLY VALVE TYPE 55

TYPE—V55LV, V55SG
CONNECTION / WAFER—JIS, DIN, ANSI



■ JIS, DIN (Unit: mm)

mm	d	D	L	H		H ₁	H ₂		H ₃		I	W	A	A ₁	A ₂	HANDLE ROTATION	JIS5K			JIS10K			DIN PN10		
				LEVER TYPE	GEAR TYPE		LEVER TYPE	GEAR TYPE	LEVER TYPE	GEAR TYPE							C	n	h	C	n	h	C	n	h
50	55	90	44	161	135	61	105	100	56	92	215	116	220	167	64	9.5	105	2(4)	15	120	2(4)	19	125	2(4)	18
80	80	125	54	180	154	95	124	119	56	92	234	152	250	167	64		145	-(4)	19	150	4(8)	19	160	4(8)	18
100	100	154	59	196	170	99	140	135	56	92	250	174	250	167	64		165	4(8)	19	175	4(8)	19	180	4(8)	18
125	125	181	64	235	193	120	166	158	69	92	273	206	320	167	64		200	4(8)	19	210	4(8)	23	210	4(8)	18
150	150	211	75	-	210	137	-	175	-	92	290	236	-	167	64		230	4(8)	19	240	4(8)	23	240	4(8)	22
200	191	265	85	-	240	163	-	205	-	92	320	282	-	167	64		280	4(8)	23	290	4(12)	23	295	4(8)	22
250	245	325	96	-	275	200	-	240	-	92	355	341	-	167	64		345	4(12)	23	355	4(12)	25	350	4(12)	22

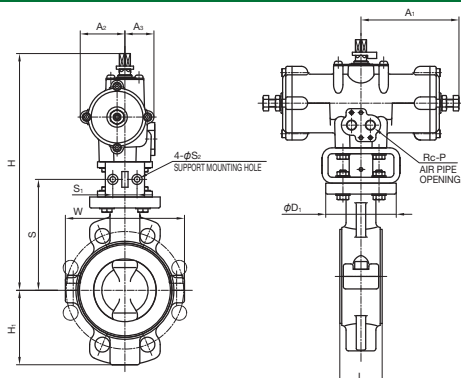
■ ANSI (Unit: inch)

inch	mm	d	D	L	H		H ₁	H ₂		H ₃		I	W	A	A ₁	A ₂	HANDLE ROTATION	ANSI CLASS 150			GEAR BOX TYPE
					LEVER TYPE	GEAR TYPE		LEVER TYPE	GEAR TYPE	LEVER TYPE	GEAR TYPE							C	n	h	
2"	50	2.17	3.54	1.73	6.34	5.31	2.40	4.13	3.94	2.20	3.62	8.46	4.57	8.66	6.57	2.52	9.5	4.75	2(4)	0.75	TYPE 1
3"	80	3.15	4.92	2.13	7.09	6.06	3.74	4.88	4.69	2.20	3.62	9.21	5.98	9.84	6.57	2.52		6.00	-(4)	0.75	
4"	100	3.94	6.06	2.32	7.72	6.69	3.90	5.51	5.31	2.20	3.62	9.84	6.85	9.84	6.57	2.52		7.50	4(8)	0.75	
5"	125	4.92	7.13	2.52	9.25	7.60	4.72	6.54	6.22	2.72	3.62	10.75	8.11	12.60	6.57	2.52		8.50	4(8)	0.88	
6"	150	5.91	8.31	2.95	-	8.27	5.39	-	6.89	-	3.62	11.42	9.29	-	6.57	2.52		9.50	4(8)	0.88	
8"	200	7.52	10.43	3.35	-	9.45	6.42	-	8.07	-	3.62	12.60	11.10	-	6.57	2.52		11.75	4(8)	0.88	
10"	250	9.65	12.80	3.78	-	10.83	7.87	-	9.45	-	3.62	13.98	13.43	-	6.57	2.52		14.25	4(12)	1.00	

AUTOMATIC PNEUMATIC TYPE TA
 DOUBLE ACTING
 AIR TO OPEN
 AIR TO CLOSE

BUTTERFLY VALVE TYPE 55

TYPE—A55K
 CONNECTION / WAFER—JIS, DIN, ANSI



ACTUATOR SELECTION CHART

SIZE	ACTUATOR TYPE
50mm (2inch)	TA2A-050D
80mm (3inch)	TA2A-063D
100mm (4inch)	TA2A-080D
125mm (5inch)	TA2A-100D
150mm (6inch)	TA2A-125D
200mm (8inch)	TA2A-125D
250mm (10inch)	TA2A-160D

For detailed specifications, see **P.123**

■ JIS, DIN (Unit: mm)

mm	d	L	D	D ₁	H	H ₁	W	A	A ₂	A ₃	S	S ₁	S ₂	P
50	55	44	90	90	268	64	116	210	46	36	122.5	32	7	1/4
80	80	54	125	90	302	95	152	250	57	38	141.5	32	7	1/4
100	100	59	154	90	351	99	174	292	71	45	157.5	32	7	1/4
125	125	64	181	125	380	120	206	292	71	45	183.5	42	9	1/4
150	150	75	211	125	428	137	236	362	85.5	57	200.5	42	9	1/4
200	191	85	265	125	483	163	282	440	90	60	—	—	—	1/4
250	245	96	325	125	583	200	341	532	113	68	—	—	—	1/4

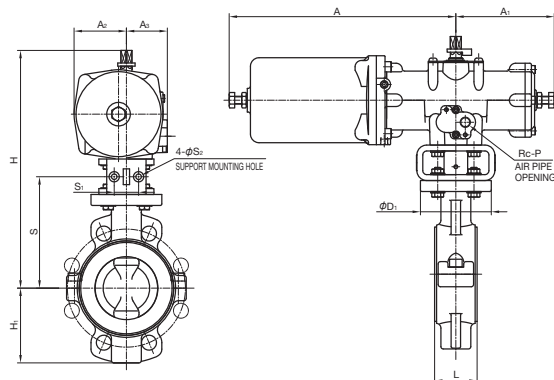
■ ANSI (Unit: inch)

inch	mm	d	L	D	D ₁	H	H ₁	W	A	A ₂	A ₃	S	S ₁	S ₂	P
2	50	2.17	1.73	3.54	3.54	10.55	2.52	4.57	8.27	1.81	1.42	4.82	1.26	0.28	1/4
3	80	3.15	2.13	4.92	3.54	11.89	3.74	5.98	9.84	2.24	1.50	5.57	1.26	0.28	1/4
4	100	3.94	2.32	6.06	3.54	13.82	3.90	6.85	11.50	2.80	1.77	6.20	1.26	0.28	1/4
5	125	4.92	2.52	7.13	4.92	14.96	4.72	8.11	11.50	2.80	1.77	7.22	1.65	0.35	1/4
6	150	5.91	2.95	8.31	4.92	16.85	5.39	9.29	14.25	3.37	2.24	7.89	1.65	0.35	1/4
8	200	7.52	3.35	10.43	4.92	19.02	6.42	11.10	17.32	3.54	2.36	—	—	—	1/4
10	250	9.65	3.78	12.80	4.92	22.95	7.87	13.43	20.94	4.45	2.68	—	—	—	1/4

AUTOMATIC PNEUMATIC TYPE TA
 DOUBLE ACTING
 AIR TO OPEN
 AIR TO CLOSE

BUTTERFLY VALVE TYPE 55

TYPE—A55K
 CONNECTION / WAFER—JIS, DIN, ANSI



ACTUATOR SELECTION CHART

SIZE	ACTUATOR TYPE
50mm (2inch)	TA2A-050R
80mm (3inch)	TA2A-063R
100mm (4inch)	TA2A-080R
125mm (5inch)	TA2A-100R2
150mm (6inch)	TA2A-100R2
200mm (8inch)	TA2A-125R2
250mm (10inch)	TA2A-160R2

For detailed specifications, see **P.123**

■ JIS, DIN (Unit: mm)

mm	L	D ₁	H	H ₁	A	A ₁	A ₂	A ₃	S	S ₁	S ₂	P
50	44	90	268	61	240	105	53	50	122.5	32	7	1/4
80	54	90	302	95	288	125	66.5	52	141.5	32	7	1/4
100	59	90	351	99	341	146	82.5	59	157.5	32	7	1/4
125	64	125	380	120	341	146	82.5	59	183.5	42	9	1/4
150	75	125	428	137	417	181	103	71	200.5	42	9	1/4
200	85	125	483	163	542	220	118.5	74	—	—	—	1/4
250	96	125	583	200	658	266	149	82	—	—	—	1/4

■ ANSI (Unit: inch)

inch	mm	L	D ₁	H	H ₁	A	A ₁	A ₂	A ₃	S	S ₁	S ₂	P
2	50	1.73	3.54	10.55	2.40	9.45	4.13	2.09	1.97	4.82	1.26	0.28	1/4
3	80	2.13	3.54	11.89	3.74	11.34	4.92	2.62	2.05	5.57	1.26	0.28	1/4
4	100	2.32	3.54	13.82	3.90	13.43	5.75	3.25	2.32	6.20	1.26	0.28	1/4
5	125	2.52	4.92	14.96	4.72	13.43	5.75	3.25	2.32	7.22	1.65	0.35	1/4
6	150	2.95	4.92	16.85	5.39	16.42	7.13	4.06	2.80	7.89	1.65	0.35	1/4
8	200	3.35	4.92	19.02	6.42	21.34	8.66	4.67	2.91	—	—	—	1/4
10	250	3.78	4.92	22.95	7.87	25.91	10.47	5.87	3.23	—	—	—	1/4

AUTOMATIC

ELECTRIC

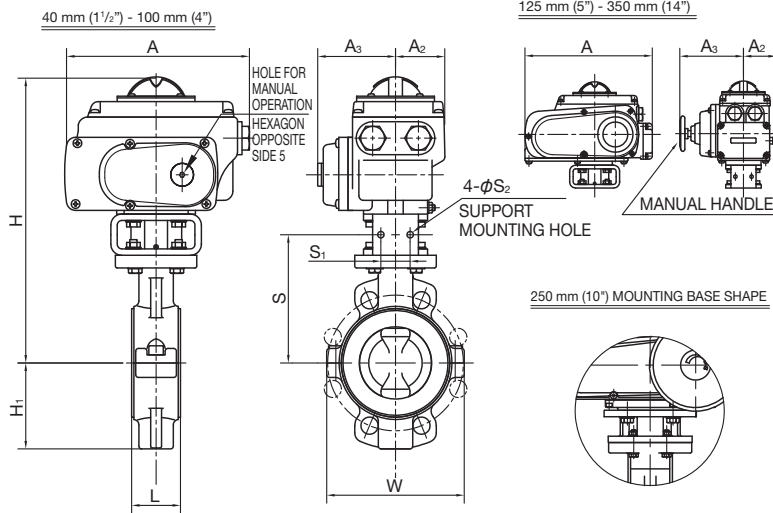
TYPE T

Single-Phase 100V
Single-Phase 200V

BUTTERFLY VALVE TYPE 55

TYPE—A55T

CONNECTION / WAFER—JIS, DIN, ANSI



ACTUATOR SELECTION CHART

SIZE	ACTUATOR TYPE
50mm (2inch)	T-0
80mm (3inch)	
100mm (4inch)	
125mm (5inch)	T-1
150mm (6inch)	T-2
200mm (8inch)	T-2.5
250mm (10inch)	T-3

For detailed specifications, see **P.139**

JIS, DIN (Unit: mm)

mm	L	H	H ₁	W	A	A ₂	A ₃	S	S ₁	S ₂
50	44	295	61	116	202	53.8	85	122.5	32	7
80	54	314	95	152	202	53.8	85	141.5	32	7
100	59	330	99	174	202	53.8	85	157.5	32	7
125	64	374	120	206	252	65	136	183.5	42	9
150	75	424	137	236	310	85	154	200.5	42	9
200	85	454	163	282	310	85	154	230.5	42	9
250	96	540	200	341	388	136	245.5	—	—	—

ANSI (Unit: inch)

inch	mm	L	H	H ₁	W	A	A ₂	A ₃	S	S ₁	S ₂
2	50	1.73	11.61	2.40	4.57	7.95	2.12	3.35	4.82	1.26	0.28
3	80	2.13	12.36	3.74	5.98	7.95	2.12	3.35	5.57	1.26	0.28
4	100	2.32	12.99	3.90	6.85	7.95	2.12	3.35	6.20	1.26	0.28
5	125	2.52	14.72	4.72	8.11	9.92	2.56	5.35	7.22	1.65	0.35
6	150	2.95	16.69	5.39	9.29	12.20	3.35	6.06	7.89	1.65	0.35
8	200	3.35	17.87	6.42	11.10	12.20	3.35	6.06	9.07	1.65	0.35
10	250	3.78	21.26	7.87	13.43	15.28	5.35	9.67	—	—	—

AUTOMATIC

ELECTRIC

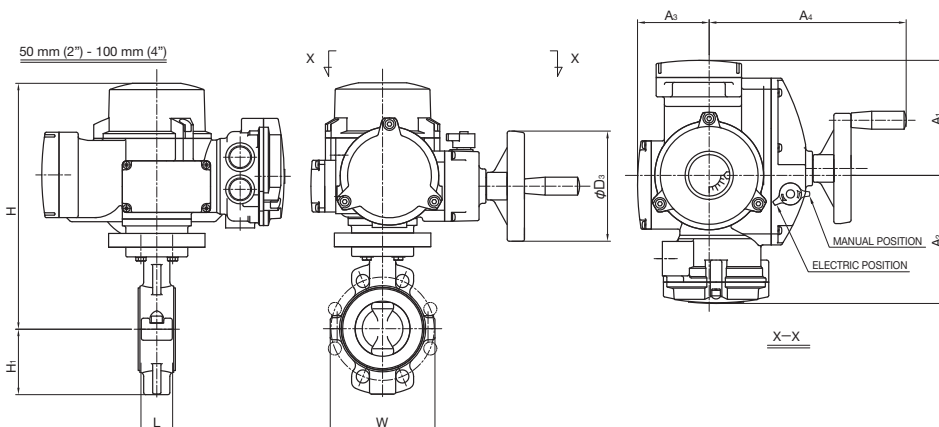
TYPE S

Three-Phase AC200V
Three-Phase AC400V

BUTTERFLY VALVE TYPE 55

TYPE—A55S

CONNECTION / WAFER—JIS, DIN, ANSI



ACTUATOR SELECTION CHART

SIZE	ACTUATOR TYPE
50mm (2inch)	SRJ-010
80mm (3inch)	
100mm (4inch)	
125mm (5inch)	SRJ-020
150mm (6inch)	SRJ-060
200mm (8inch)	
250mm (10inch)	

For detailed specifications, see **P.133**

JIS, DIN (Unit: mm)

mm	L	H	H ₁	W	D ₃	A ₁	A ₂	A ₃	A ₄
50	44	318	61	116	160	167	186	104	286
80	54	337	95	152	160	167	186	104	286
100	59	353	99	174	160	167	186	104	286
125	64	396	120	206	160	167	186	104	286
150	75	413	137	236	160	167	186	104	286
200	85	440	163	282	245	191	202	130	330
250	96	475	200	341	245	191	202	130	330

ANSI (Unit: inch)

inch	mm	L	H	H ₁	W	D ₃	A ₁	A ₂	A ₃	A ₄
2	50	1.73	12.52	2.40	4.57	6.30	6.57	7.32	4.09	11.26
3	80	2.13	13.27	3.74	5.98	6.30	6.57	7.32	4.09	11.26
4	100	2.32	13.90	3.90	6.85	6.30	6.57	7.32	4.09	11.26
5	125	2.52	15.59	4.72	8.11	6.30	6.57	7.32	4.09	11.26
6	150	2.95	16.26	5.39	9.29	6.30	6.57	7.32	4.09	11.26
8	200	3.35	17.32	6.42	11.10	9.65	7.52	7.95	5.12	12.99
10	250	3.78	18.70	7.87	13.43	9.65	7.52	7.95	5.12	12.99

BUTTERFLY VALVE TYPE 55IS

- FACE-TO-FACE DIMENSION COMPLIANT WITH INTERNAL ISO SHORT STANDARD
- HIGH CHEMICAL RESISTANCE IN ADDITION TO EXCELLENT HEAT AND COLD RESISTANCE ALLOWING FOR USE AT -20 TO 100°C

BASIC SPECIFICATIONS

VALVE TYPE ————— **BUTTERFLY VALVE TYPE 55IS**

SIZE / LEVER TYPE ————— **50 mm—125 mm (2 inch—5 inch)**

GEAR TYPE ————— **50 mm—200 mm(2 inch—8 inch)**

BODY MATERIAL ————— **FCD450 (EPOXY POWDER COATING)**

SEAL MATERIAL / SEAT ————— **PTFE**

CONNECTION / WAFER ————— **JIS10K, JIS5K, DIN, ANSI**

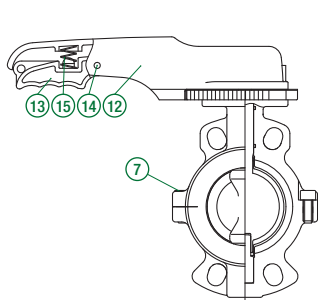
	FLUID TEMPERATURE	MAXIMUM WORKING PRESSURE (NORMAL TEMPERATURE) MPa(kgf/cm ²)
FCD450	-20°C ~ 100°C	1.0 {10.2}

NOTE The maximum working pressure is the value including the water hammer pressure. Be careful that the maximum working pressure is not exceeded during use.
 * Concerning the allowable pressure for each temperature and material, see the technical documents at the end of this catalog.

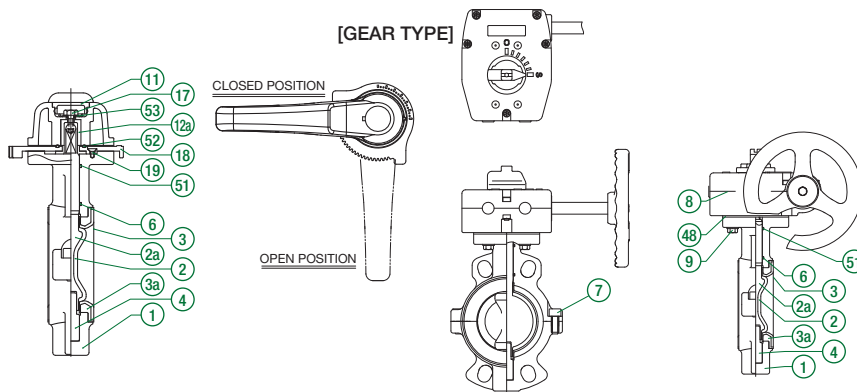


PARTS LIST MANUAL

[LEVER TYPE]



[GEAR TYPE]



PART NO. / NAME	QTY	MATERIAL
① BODY	1	FCD450 (EPOXY POWDER COATING)
② DISC	1	PTFE
②a DISC INSERT	1	SUS304
③ SEAT	1	PTFE
③a SEAT CUSHION	1	CR
④ STEM	1	SUS304
⑥ O-RING	1	EPDM
⑤① O-RING (B)	1	NBR

ONLY USED FOR LEVER TYPE

PART NO. / NAME	QTY	MATERIAL	PART NO. / NAME	QTY	MATERIAL
⑦ BOLT (A)	2	SUS304	⑩ SPRING	1	SUS304
⑪ CAP	1	PP	⑪ BOLT (C)	1	SUS304
⑫ HANDLE	1	PP	⑫ LOCKING PLATE	1	PPG
⑫a EMBEDDED HANDLE FITTING	1	SUS316	⑬ SET SCREW (A)	4	SUS304
⑬ HANDLE LEVER	1	PPG	⑭ O-RING (C)	1	EPDM
⑭ PIN	1	PPG	⑮ WASHER WITH RUBBER	1	SUS304+EPDM

ONLY USED FOR GEAR TYPE

PART NO. / NAME	QTY	MATERIAL
⑦ BOLT (A)	-	SUS304 (50~125mm:2 150mm:4)
⑧ GEAR BOX	1	RESIN, etc.
⑨ BOLT (B)	4	SUS304
⑭ GASKET (C)	1	EPDM

SPECIFICATION LIST MANUAL

LEVER TYPE	SIDE GEAR TYPE	TOP GEAR TYPE	
○	○	—	
CHAIN TYPE	LONG STEM TYPE	FLOAT TYPE	WITH LIMIT SWITCH
—	—	—	○

* For other specifications, contact our sales office in your area.

PRODUCT MODEL
CODE LIST
MANUAL

ACTUATION	TYPE	OPERATING SYSTEM	BODY MATERIAL	SEAL MATERIAL	CONNECTION	STANDARD	SIZE
V	5S	**	4	T	W	*	***
V MANUAL VALVE	5S TYPE 55IS	LV LEVER TYPE SG SIDE GEAR TYPE	4 FOD450	T PTFE	W WAFER	1 JIS10K 5 JIS5K D DIN A ANSI	050 50mm 200 200mm

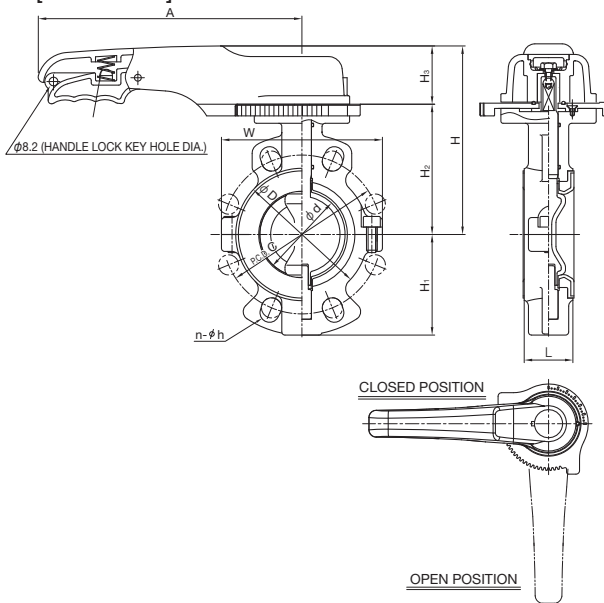
MANUAL

BUTTERFLY VALVE TYPE 55IS

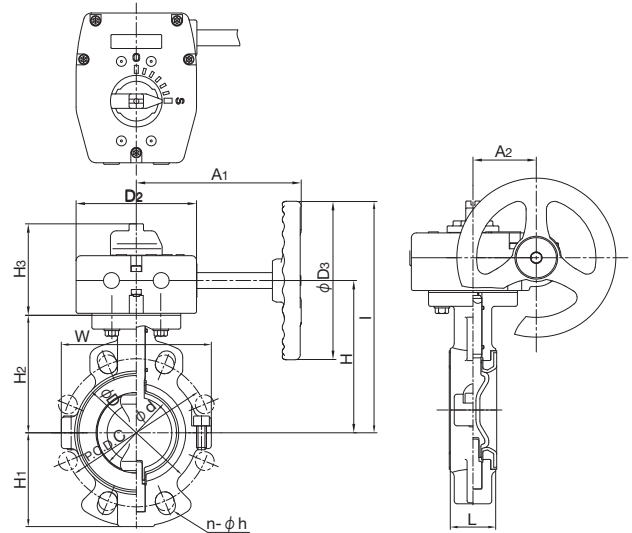
TYPE—V5SLV, V5SSG

CONNECTION / WAFER—JIS, DIN, ANSI

[LEVER TYPE]



[GEAR TYPE]



■ JIS, DIN (Unit: mm)

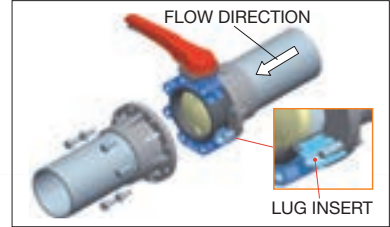
mm	d	D	L	H		H ₁	H ₂		H ₃		I	W	A	A ₁	A ₂	HANDLE ROTATION	JIS5K			JIS10K			DIN PN10		
				LEVER TYPE	GEAR TYPE		LEVER TYPE	GEAR TYPE	LEVER TYPE	GEAR TYPE							C	n	h	C	n	h	C	n	h
50	55	90	43	161	135	61	105	100	56	92	215	116	220	167	64	9.5	105	2(4)	15	120	2(4)	19	125	2(4)	18
65	65	110	46	176	150	80	120	115	56	92	230	146	220	167	64		130	2(4)	15	140	2(4)	19	145	2(4)	18
80	80	125	46	180	154	95	124	119	56	92	234	152	250	167	64		145	-(4)	19	150	4(8)	19	160	4(8)	18
100	100	154	52	196	170	103	140	135	56	92	250	174	250	167	64		165	4(8)	19	175	4(8)	19	180	4(8)	18
125	125	181	56	235	193	120	166	158	69	92	273	206	320	167	64		200	4(8)	19	210	4(8)	23	210	4(8)	18
150	150	211	56	-	210	137	-	175	-	92	290	236	-	167	64		230	4(8)	19	240	4(8)	23	240	4(8)	22
200	191	257	60	-	240	163	-	205	-	92	320	290	-	167	64		280	4(8)	23	290	4(12)	23	295	4(8)	22

■ ANSI (Unit: inch)

inch	mm	d	D	L	H		H ₁	H ₂		H ₃		I	W	A	A ₁	A ₂	HANDLE ROTATION	ANSI CLASS 150			GEAR BOX TYPE
					LEVER TYPE	GEAR TYPE		LEVER TYPE	GEAR TYPE	LEVER TYPE	GEAR TYPE							C	n	h	
2	50	2.17	3.54	1.69	6.34	5.31	2.40	4.13	3.94	2.20	3.62	8.46	4.57	8.66	6.57	2.52	9.5	4.75	2(4)	0.75	TYPE1
2 1/2	65	2.56	4.33	1.81	6.93	5.91	3.15	4.72	4.53	2.20	3.62	9.06	5.75	8.66	6.57	2.52		5.49	2(4)	0.75	
3	80	3.15	4.92	1.81	7.09	6.06	3.74	4.88	4.69	2.20	3.62	9.21	5.98	9.84	6.57	2.52		6.00	-(4)	0.75	
4	100	3.94	6.06	2.05	7.72	6.69	4.06	5.51	5.31	2.20	3.62	9.84	6.85	9.84	6.57	2.52		7.50	4(8)	0.75	
5	125	4.92	7.13	2.20	9.25	7.60	4.72	6.54	6.22	2.72	3.62	10.75	8.11	12.60	6.57	2.52		8.50	4(8)	0.88	
6	150	5.91	8.31	2.20	-	8.27	5.39	-	6.89	-	3.62	11.42	9.29	-	6.57	2.52		9.50	4(8)	0.88	
8	200	7.52	10.12	2.36	-	9.45	6.42	-	8.07	-	3.62	12.60	11.42	-	6.57	2.52		11.75	4(8)	0.88	

LUG BUTTERFLY VALVE TYPE 57L (JIS10K, DIN)

- SIGNIFICANTLY REDUCES THE BURDEN OF FLUID REMOVAL WORK.
- THE OVERTIGHTENING PREVENTION MECHANISM ELIMINATES THE RISK OF SEAT BREAKAGE.
- PLASTIC GEAR BOX WITH EXCELLENT CORROSION RESISTANCE AND HIGH OPERABILITY



BASIC SPECIFICATIONS

VALVE TYPE — BUTTERFLY VALVE TYPE 57L
SIZE / LEVER TYPE — 80 mm—200 mm (3 inch—8 inch)
GEAR TYPE — 80 mm—250 mm (3 inch—10 inch)
BODY MATERIAL — PDCPD
SEAL MATERIAL / SEAT — EPDM FKM NBR
CONNECTION / WAFER — JIS10K, DIN

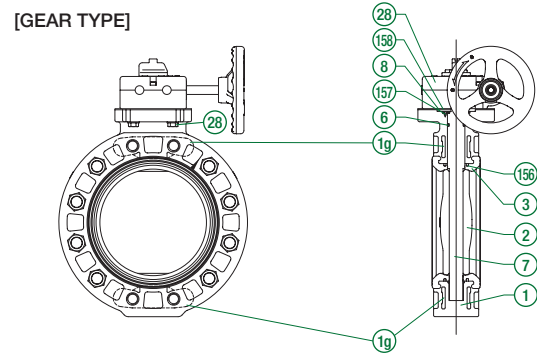
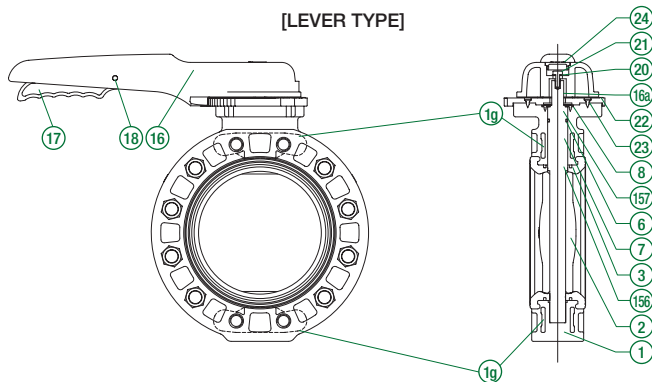
	FLUID TEMPERATURE	MAXIMUM WORKING PRESSURE (NORMAL TEMPERATURE) MPa(kg/cm ²) FOR WAFER
PDCPD (DISC MATERIAL—PP)	-20°C ~ 80°C	1.0 {10.2}
PDCPD (DISC MATERIAL—PVDF)	-20°C ~ 100°C	1.0 {10.2}

NOTE The maximum working pressure is the value including the water hammer pressure. Be careful that the maximum working pressure is not exceeded during use.
 * Concerning the allowable pressure for each temperature and material, see the technical documents at the end of this catalog.



MANUAL

PARTS LIST MANUAL



ONLY USED FOR LEVER TYPE					
PART NO. / NAME	QTY	MATERIAL	PART NO. / NAME	QTY	MATERIAL
16 HANDLE (A)	1	PP	20 WASHNER	1	SUS304
16a EMBEDDED HANDLE FITTING	1	SUS316L	21 BOLT (B)	1	SUS304
17 HANDLE LEVER	1	PPG	22 LOCKING PLATE	1	PPG
18 PIN	1	PPG	23 STOP RING (B)	4	SUS304
19 SPRING	1	SUS304	24 CAP (A)	1	PP

ONLY USED FOR GEAR TYPE		
PART NO. / NAME	QTY	MATERIAL
25 GEAR BOX	1	RESIN, etc.
26 BOLT (C)	4	SUS304
18a GASKET (L)	1	EPDM

PART NO. / NAME	QTY	MATERIAL
1 BODY	1	PDCPD
1a LUG INSERT	8	SUS304
19a BODY INSERT		[LEVER TYPE] SUS304: 2 PCS—125 mm, 150 mm SCS13: 1 PC—200 mm [GEAR TYPE] SUS304: 1 PC—125 mm, 150 mm SCS13: 2 PCS—200 mm, 250 mm
2 DISC	1	PP, PVDF
3 SEAT	1	EPDM, FKM
6 O-RING (C)	1	
7 STEM	1	SUS403
8 STEM HOLDER	1	PP
15a FIXING RING	2	SCS13
17 SET SCREW (F)	4	SUS304

SPECIFICATION LIST MANUAL

LEVER TYPE	SIDE GEAR TYPE	TOP GEAR TYPE	
<input type="radio"/>	<input type="radio"/>	<input type="radio"/>	
CHAIN TYPE	LONG STEM TYPE	FLOAT TYPE	WITH LIMIT SWITCH
<input type="radio"/>	<input type="radio"/>	<input type="radio"/>	<input type="radio"/>

* For other specifications, contact our sales office in your area.

PRODUCT MODEL
CODE LIST
MANUAL

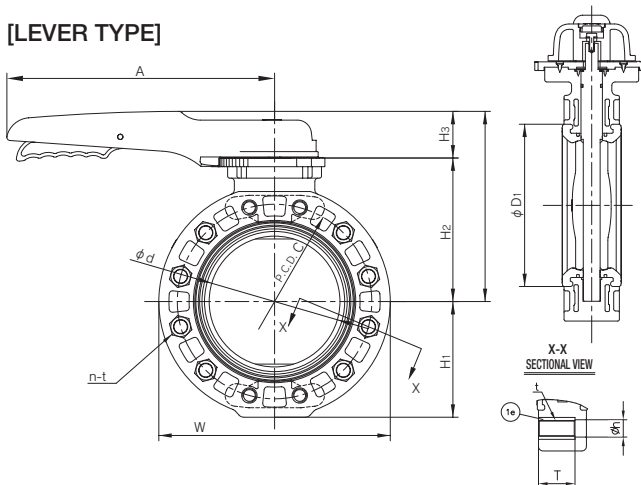
ACTUATION	TYPE	OPERATING SYSTEM	BODY MATERIAL	SEAL MATERIAL	CONNECTION	STANDARD	SIZE	DISC PVDF
V	LG	**	D	*	W	*	***	OOQ*
V MANUAL VALVE	LG TYPE 57L	LV LEVER TYPE SG SIDE GEAR TYPE	D PDCPD	E EPDM V FKM	W WAFER	1 JIS10K D DIN	080 80mm 250 250mm	* Used when the disc material is PVDF.

MANUAL

LUG BUTTERFLY VALVE TYPE 57L

TYPE—VLGLV, VLGS
CONNECTION / WAFER—JIS, DIN

[LEVER TYPE]

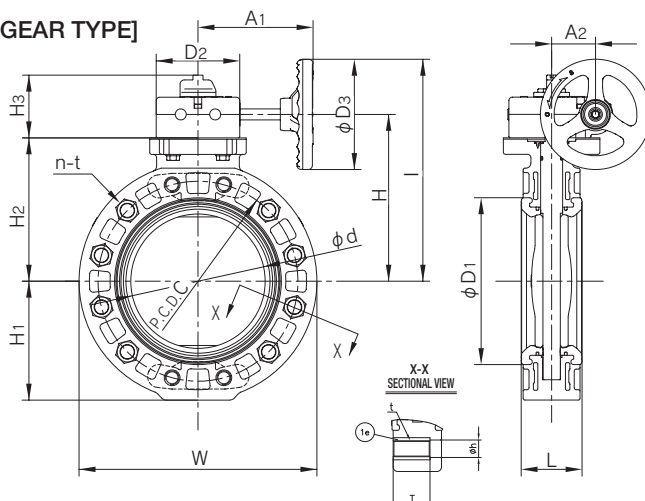


■ JIS, DIN (Unit: mm)

mm	d	D ₁	L	H	H ₁	H ₂	H ₃	A	W	T
80	77	105	46	191	94	135	56	250	193	40
100	102	134	56	206	105	150	56	250	217	40
125	129	169	66	237	124	168	69	320	247	50
150	150	190	71	252	138	183	69	320	285	50
200	195	242	87	283	173	214	69	400	345	60

mm	JIS10K			DIN PN10			t
	C	n	h	C	n	h	
80	150	8	19	160	8	18	M16×40 WIDTH ACROSS FLATS: 24
100	175	8	19	180	8	18	M16×40 WIDTH ACROSS FLATS: 24
125	210	8	23	210	8	18	M20×50 WIDTH ACROSS FLATS: 30
150	240	8	23	240	8	23	M20×50 WIDTH ACROSS FLATS: 30
200	290	12	23	295	8	23	M20×60 WIDTH ACROSS FLATS: 30

[GEAR TYPE]



■ JIS, DIN (Unit: mm)

mm	d	D ₁	D ₂	D ₃	L	H	H ₁	H ₂	H ₃	ℓ	A ₁	A ₂
80	77	105	122	160	46	165	94	130	92	245	167	64
100	102	134	122	160	56	180	105	145	92	260	167	64
125	129	169	122	160	66	195	124	160	92	275	167	64
150	150	190	122	160	71	210	138	175	92	290	167	64
200	195	242	122	160	87	241	173	206	92	321	167	64
250	250	302	122	160	112	276	208	241	92	356	167	64

mm	W	T	JIS10K			DIN PN10			t
			C	n	h	C	n	h	
80	193	40	150	8	19	160	8	18	M16×40 WIDTH ACROSS FLATS: 24
100	217	40	175	8	19	180	8	18	M16×40 WIDTH ACROSS FLATS: 24
125	247	50	210	8	23	210	8	18	M20×50 WIDTH ACROSS FLATS: 30
150	285	50	240	8	23	240	8	23	M20×50 WIDTH ACROSS FLATS: 30
200	345	60	290	12	23	295	8	23	M20×60 WIDTH ACROSS FLATS: 30
250	415	70	355	12	25	350	12	23	M22×70 WIDTH ACROSS FLATS: 32

LUG BUTTERFLY VALVE TYPE 57TL (ANSI)

- SIGNIFICANTLY REDUCES THE BURDEN OF FLUID REMOVAL WORK.
- THE OVERTIGHTENING PREVENTION MECHANISM ELIMINATES THE RISK OF SEAT BREAKAGE.
- PLASTIC GEAR BOX WITH EXCELLENT CORROSION RESISTANCE AND HIGH OPERABILITY
- NON-DIRECTIONAL LUG TYPE

BASIC SPECIFICATIONS

VALVE TYPE — BUTTERFLY VALVE TYPE 57TL

SIZE / LEVER TYPE — 80 mm—200 mm (3 inch—8 inch)

GEAR TYPE — 80 mm—300 mm (3 inch—12 inch)

BODY MATERIAL — U-PVC

SEAL MATERIAL / SEAT — EPDM FKM NBR

CONNECTION / WAFER — ANSI

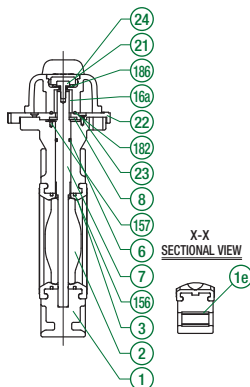
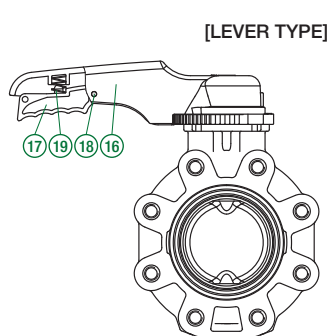
	FLUID TEMPERATURE	MAXIMUM WORKING PRESSURE (NORMAL TEMPERATURE) [MPa][kgf/cm ²]	
		80mm—250mm	300mm
U-PVC	0°C ~ 50°C	1.0 {10.2}	0.75 {7.7}

NOTE The maximum working pressure is the value including the water hammer pressure. Be careful that the maximum working pressure is not exceeded during use.

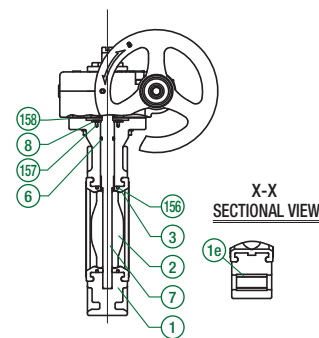
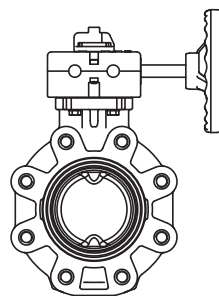
* Concerning the allowable pressure for each temperature and material, see the technical documents at the end of this catalog.



PARTS LIST MANUAL



[GEAR TYPE]



PART NO. / NAME	QTY	MATERIAL	PART NO. / NAME	QTY	MATERIAL	PART NO. / NAME	QTY	MATERIAL
① BODY	1	U-PVC	⑩ EMBEDDED HANDLE FITTING	1	SUS316L	②⑤ GEAR BOX	1	RESIN, etc.
⑩ LUG INSERT	—	SUS316	⑪ HANDLE LEVER	1	PPG	②⑥ BOLT (C)	1	RESIN, etc.
② DISC	1	PP	⑫ PIN	1	PPG	②⑦ FIXING RING	2	SCS13
③ SEAT	1	EPDM, FKM, NBR	⑬ SPRING	1	SUS304	②⑧ SET SCREW (F)	4	SUS304
⑥ O-RING (C)	1	EPDM, FKM, NBR	⑭ BOLT (B)	1	SUS304	②⑨ GASKET (L)	1	EPDM
⑦ STEM	1	SUS403	⑮ LOCKING PLATE	1	PPG	②⑩ O-RING (H)	1	EPDM
⑧ STEM HOLDER (A)	1	PP	⑯ STOP RING (B)	4	SUS304	②⑪ WASHER WITH RUBBER	1	SUS304+EPDM
⑩ HANDLE (A)	1	PP	⑰ CAP (A)	1	PP			

SPECIFICATION LIST MANUAL

LEVER TYPE	SIDE GEAR TYPE	TOP GEAR TYPE	
○	○	○	
CHAIN TYPE	LONG STEM TYPE	FLOAT TYPE	WITH LIMIT SWITCH
○	○	○	○

* For other specifications, contact our sales office in your area.

PRODUCT MODEL
CODE LIST
MANUAL

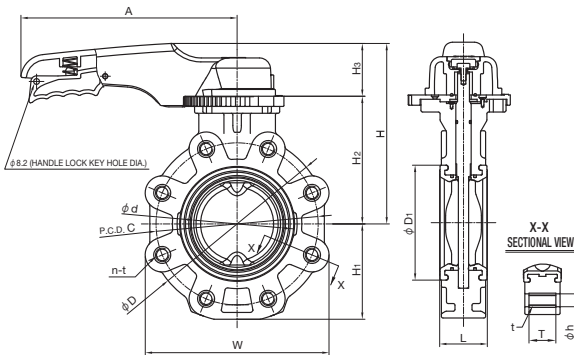
ACTUATION	TYPE	OPERATING SYSTEM	BODY MATERIAL	SEAL MATERIAL	CONNECTION	STANDARD	SIZE
V	LG	**	U	*	W	A	***
⋮	⋮	⋮	⋮	⋮	⋮	⋮	⋮
V MANUAL VALVE	LG TYPE 57L	LV LEVER TYPE SG SIDE GEAR TYPE	U U-PVC	E EPDM V FKM N NBR	W WAFER	A ANSI	080 80mm } 300 300mm

MANUAL

LUG BUTTERFLY VALVE TYPE 57TL

TYPE—VLGLV, VLGSV
CONNECTION / WAFER—ANSI

[LEVER TYPE]



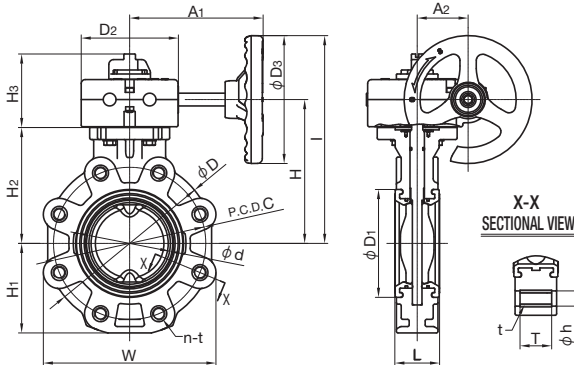
■ ANSI
(UNIT: mm)

		ANSI 150lb							
mm	d	C	n	h	D	D ₁	L	H	
80	77	152.5	4	19	185	105	46	191	
100	102	190.5	8	19	210	134	56	206	
150	150	241.5	8	22	270	190	71	252	
200	195	298.5	8	22	320	242	88	283	
mm	H ₁	H ₂	H ₃	A	W	T	t		
80	97	135	56	250	180	34.7	5/8-11 UNC		
100	112	150	56	250	216	34.7	5/8-11 UNC		
150	141	183	69	320	271	54.7	3/4-10 UNC		
200	168	214	69	400	324	54.7	3/4-10 UNC		

■ ANSI (UNIT: inch)

		ANSI 150lb							
inch	mm	d	C	n	h	D	D ₁	L	H
3	80	3.03	6.00	4	0.75	7.28	4.13	1.81	7.52
4	100	4.02	7.50	8	0.75	8.27	5.28	2.20	8.11
6	150	5.91	9.50	8	0.87	10.63	7.48	2.80	9.92
8	200	7.68	11.75	8	0.87	12.60	9.53	3.43	11.14
inch	mm	H ₁	H ₂	H ₃	A	W	T	t	
3	80	3.82	5.31	2.20	9.84	7.09	1.37	5/8-11 UNC	
4	100	4.41	5.91	2.20	9.84	8.50	1.37	5/8-11 UNC	
6	150	5.55	7.20	2.72	12.60	10.67	2.15	3/4-10 UNC	
8	200	6.61	8.43	2.72	15.75	12.76	2.15	3/4-10 UNC	

[GEAR TYPE]



■ ANSI
(UNIT: mm)

		ANSI 150lb									
mm	d	C	n	h	D	D ₁	D ₂	D ₃	L	H	H ₁
80	77	152.5	4	19	185	105	122	160	46	165	97
100	102	190.5	8	19	210	134	122	160	56	180	112
150	150	241.5	8	22	270	190	122	160	71	210	141
200	195	298.5	8	22	320	242	122	160	88	241	168
250	252	362	12	25	400	302	122	160	112	276	202
300	303	432	12	25	465	360	188	300	129	340	236
mm	H ₂	H ₃	I	A ₁	A ₂	W	T	t		HANDLE ROTATION	
80	130	92	245	167	64	180	34.7	5/8-11 UNC			
100	145	92	260	167	64	216	34.7	5/8-11 UNC			
150	175	92	290	167	64	271	54.7	3/4-10 UNC			
200	206	92	321	167	64	324	54.7	3/4-10 UNC			
250	241	92	356	167	64	404	79.7	7/8-9 UNC			
300	298	108	490	242	99	471	79.7	7/8-9 UNC			

■ ANSI (UNIT: inch)

		ANSI 150lb											
inch	mm	d	C	n	h	D	D ₁	D ₂	D ₃	L	H	H ₁	H ₂
3	80	3.03	6.00	0.16	0.75	7.28	4.13	4.80	6.30	1.81	6.50	3.82	5.12
4	100	4.02	7.50	0.31	0.75	8.27	5.28	4.80	6.30	2.20	7.09	4.41	5.71
6	150	5.91	9.51	0.31	0.87	10.63	7.48	4.80	6.30	2.80	8.27	5.55	6.89
8	200	7.68	11.75	0.31	0.87	12.60	9.53	4.80	6.30	3.46	9.49	6.61	8.11
10	250	9.92	14.25	0.47	0.98	15.75	11.89	4.80	6.30	4.41	10.87	7.95	9.49
12	300	11.93	17.01	0.47	0.98	18.31	14.17	7.40	11.81	5.08	13.39	9.29	11.73
inch	mm	H ₃	I	A ₁	A ₂	W	T	t		HANDLE ROTATION		GEAR BOX TYPE	
3	80	3.62	9.65	6.57	2.52	7.09	1.37	5/8-11 UNC		9.5			
4	100	3.62	10.24	6.57	2.52	8.50	1.37	5/8-11 UNC					
6	150	3.62	11.42	6.57	2.52	10.67	2.15	3/4-10 UNC					
8	200	3.62	12.64	6.57	2.52	12.76	2.15	3/4-10 UNC					
10	250	3.62	14.02	6.57	2.52	15.91	3.14	7/8-9 UNC					
12	300	4.25	19.29	9.53	3.90	18.54	3.14	7/8-9 UNC		TYPE1			
												TYPE3	

PDCPD LARGE SIZE BUTTERFLY VALVE

- THE USE OF PDCPD PLASTIC PROVIDES EXCELLENT RESISTANCE TO CORROSION (INCLUDING ELECTRIC CORROSION).
- LIGHTWEIGHT VALVE USING PDCPD PLASTIC WHOSE SPECIFIC GRAVITY IS 1/7 OF CAST IRON.
- SUPERIOR WATERTIGHT CHARACTERISTICS DUE TO FLANGED SEAT (EPDM)
- EXCELLENT FLOW CHARACTERISTICS DUE TO REDUCED THICKNESS OF VALVE ELEMENT
- HIGHER ABRASION RESISTANCE THAN CAST IRON

BASIC SPECIFICATIONS

VALVE TYPE ————— PDCPD LARGE SIZE BUTTERFLY VALVE
SIZE ————— 700 mm—1,200 mm (28 inch—48 inch)
BODY MATERIAL ————— PDCPD
SEAL MATERIAL / SEAT — EPDM
CONNECTION / WAFER — JIS10K, DIN, ANSI

	FLUID TEMPERATURE	MAXIMUM WORKING PRESSURE (NORMAL TEMPERATURE) MPa{kgf/cm ² }
PDCPD (700mm—1,000mm)	0°C ~ 80°C	0.75 {7.7}
PDCPD (1,100mm—1,200mm)	0°C ~ 60°C	0.75 {7.7}

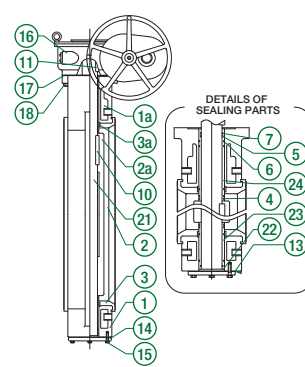
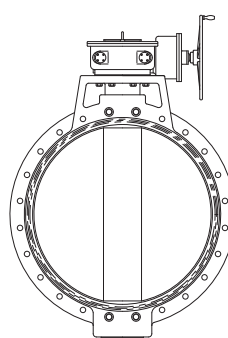
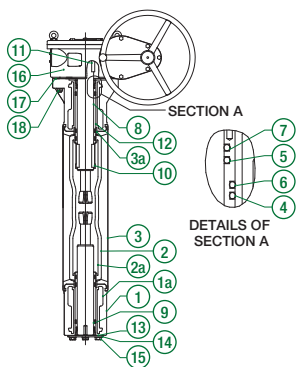
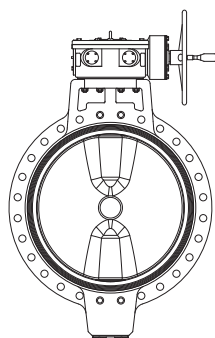
NOTE The maximum working pressure is the value including the water hammer pressure. Be careful that the maximum working pressure is not exceeded during use.
 * Concerning the allowable pressure for each temperature and material, see the technical documents at the end of this catalog.



PARTS LIST MANUAL

700mm-1,000mm

1,100mm-1,200mm



PART NO. / NAME	QTY	MATERIAL
① BODY	1	PDCPD
② DISC	1	PDCPD
③ SEAT	1	EPDM
⑧ STEM (A)	1	SUS403
⑨ STEM (B)	1	SUS403
⑩ KEY (A)	1	S45C
⑪ KEY (B)	1	S45C

PART NO. / NAME	QTY	MATERIAL
⑫ BUSH	2	BC6
⑬ GASKET (A)	1	NON ASBESTOS SHEET
⑭ STEM HOLDER	1	SUS304
⑮ BOLT (A)	6	SUS304
⑯ GEAR BOX	1	FC200, etc.
⑰ GASKET (B)	1	NON ASBESTOS SHEET
⑱ BOLT (B)	8	SUS304

PART NO. / NAME	QTY	MATERIAL
⑳ STEM HOLDER	1	SUS304
㉑ THRUST	1	BC6
㉒ BUSH (A)	1	BC6
㉓ BUSH (B)	1	BC6
①a BODY INSERT	1	FCD450
②a DISC INSERT	1	FCD450
③a SEAT RING	2	SUS304

SPECIFICATION LIST MANUAL

LEVER TYPE	SIDE GEAR TYPE	TOP GEAR TYPE	
—	○	○	
CHAIN TYPE	LONG STEM TYPE	FLOAT TYPE	WITH LIMIT SWITCH
—	○	—	—

COMPATIBLE ACTUATOR AUTOMATIC

ELECTRIC

TYPE S

For detailed specifications, see **P.137**

* For other specifications, contact our sales office in your area.

PRODUCT MODEL CODE LIST
MANUAL

ACTUATION	TYPE	OPERATING SYSTEM	BODY MATERIAL	SEAL MATERIAL	CONNECTION	STANDARD	SIZE
V	PD	SG	D	E	W	*	***
⋮	⋮	⋮	⋮	⋮	⋮	⋮	⋮
V MANUAL VALVE	PD LARGE SIZE	SG SIDE GEAR TYPE	D PDCPD	E EPDM	W WAFER	1 JIS10K W — D DIN A ANSI	700 700mm 1200 1,200mm

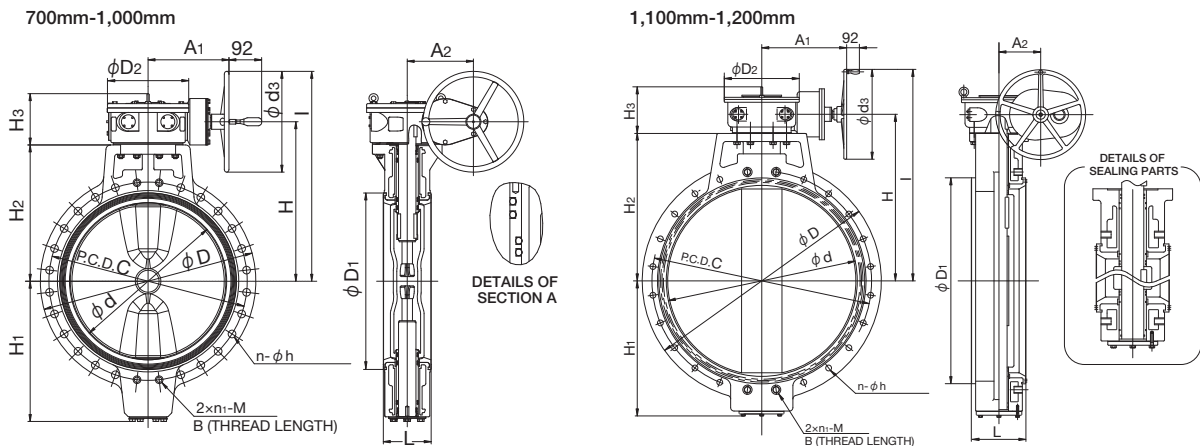
PRODUCT MODEL CODE LIST
AUTOMATIC

ACTUATION	TYPE	ACTUATOR TYPE	ACTION / POWER SOURCE	BODY MATERIAL	SEAL MATERIAL	CONNECTION	STANDARD	SIZE
A	PD	S	*	D	E	W	*	***
⋮	⋮	⋮	⋮	⋮	⋮	⋮	⋮	⋮
A AUTOMATIC VALVE	PD LARGE SIZE	S TYPE S	3 Three-Phase AC200V 4 Three-Phase AC400V	D PDCPD	E EPDM	W WAFER	1 JIS10K W — D DIN A ANSI	700 700mm 1200 1,200mm

MANUAL

PDCPD LARGE SIZE BUTTERFLY VALVE

TYPE—VPDSG
CONNECTION / WAFER—JIS, DIN, ANSI



■ JIS, DIN (Unit: mm)

mm	d	D	D ₁	D ₂	d ₃	L	H	I	H ₁	H ₂	H ₃	A ₁	A ₂
700	670	928	760	350	435	206	685	897	589	590	251	402	285
800	770	1034	870	350	435	240	715	927	619	620	251	402	285
900	870	1168	978	350	635	240	800	1112	704	705	251	402	285
1000	970	1262	1080	460	635	300	845	1157	749	750	266	564	242
1100	1080	1380	1195	460	635	300	942	1260	780	840	264	564	242
1200	1170	1488	1300	460	635	350	992	1310	850	890	264	564	242

mm	JIS10K							WATERWORKS (JIS B 2062)							DIN PN10						
	C	h	N	n	n ₁	M	B	C	h	N	n	n ₁	M	B	C	h	N	n	n ₁	M	B
700	840	33	24	20	4	M30	35	—	—	—	—	—	—	—	840	33	24	20	4	M27	35
800	950	33	28	24	4	M30	35	—	—	—	—	—	—	—	950	33	28	20	4	M30	35
900	1050	33	28	24	4	M30	35	—	—	—	—	—	—	—	1050	33	28	24	4	M30	35
1000	1160	39	28	24	4	M36	35	—	—	—	—	—	—	—	1160	39	28	24	4	M33	42
1100	1270	39	28	24	4	M36	42	—	—	—	—	—	—	—	—	—	—	—	—	—	—
1200	1380	39	32	28	4	M36	42	—	—	—	—	—	—	—	1380	39	32	28	4	M36	42

■ ANSI (Unit: inch)

inch	mm	d	D	D ₁	D ₂	d ₃	L	H	I	H ₁	H ₂	H ₃	A ₁	A ₂
28	700	26.38	36.54	29.92	13.78	17.13	8.11	26.97	35.31	23.19	23.23	9.88	15.83	11.22
32	800	30.31	40.71	34.25	13.78	17.13	9.45	28.15	36.50	24.37	24.41	9.88	15.83	11.22
36	900	34.25	45.98	38.50	13.78	25.00	9.45	31.50	43.78	27.72	27.76	9.88	15.83	11.22
40	1000	38.19	49.69	42.52	18.11	25.00	11.81	33.27	45.55	29.49	29.53	10.47	22.20	9.53
44	1100	42.52	54.33	47.05	18.11	25.00	11.81	37.09	49.61	30.71	33.07	10.39	22.20	9.53
48	1200	46.06	58.58	51.18	18.11	25.00	13.78	39.06	51.57	33.46	35.04	10.39	22.20	9.53

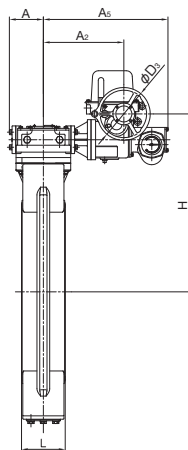
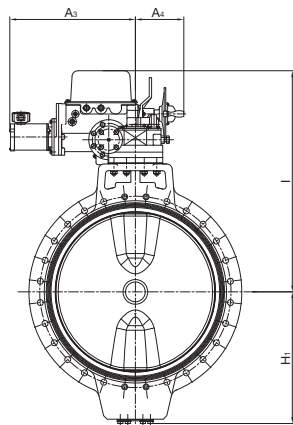
inch	mm	ANSI CLASS 125							ANSI CLASS 150							GEAR BOX TYPE
		C	h	N	n	n ₁	M	B	C	h	N	n	n ₁	M	B	
28	700	—	—	—	—	—	—	—	34.00	1.38	28	24	4	1 1/4	1.38	BRM-10
32	800	—	—	—	—	—	—	—	38.50	1.62	28	24	4	1 1/2	1.38	
36	900	47.25	1.62	36	32	4	1 1/2	1.38	—	—	—	—	—	—	—	
40	1000	—	—	—	—	—	—	—	47.25	1.62	36	32	4	1 1/2	1.38	BRM-18
44	1100	—	—	—	—	—	—	—	51.75	1.62	40	36	4	1 1/2	1.77	
48	1200	56.00	1.62	44	40	4	1 1/2	1.77	56.00	1.62	44	40	4	1 1/2	1.77	

AUTOMATIC **ELECTRIC** **TYPE S**
 Three-Phase AC200V
 Three-Phase AC400V

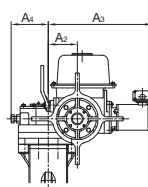
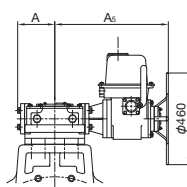
PDCPD LARGE SIZE BUTTERFLY VALVE

TYPE—APDS
 CONNECTION / WAFER—JIS, DIN, ANSI

800 mm (32") - 1200 mm (48")



700 mm (28") ACTUATOR



ACTUATOR SELECTION CHART

SIZE	ACTUATOR TYPE
700mm (28inch)	LTMD-02/BRM10
800mm (32inch)	LTMD-05/BRM10
900mm (36inch)	LTMD-05/BRM18
1,000mm (40inch)	LTMD-05/BRM18
1,100mm (44inch)	LTMD-1/BRM18
1,200mm (48inch)	LTMD-1/BRM18

For detailed specifications, see **P.137**

■ JIS, DIN (Unit: mm)

mm	L	H	H ₁	I	A	A ₂	A ₃	A ₄	A ₅
700	206	720	589	1048	186	146	521	186	570
800	240	892	619	1128	186	442	661	266	684
900	240	977	704	1213	186	442	689	266	684
1000	300	1008	749	1244	220	481	745	231	723
1100	300	881	780	1423	220	513	783	280	789
1200	350	911	850	1473	220	513	783	280	789

■ ANSI (Unit: inch)

inch	mm	L	H	H ₁	I	A	A ₂	A ₃	A ₄	A ₅
28	700	8.11	28.35	23.19	41.26	7.32	5.75	20.51	7.32	22.44
32	800	9.45	35.12	24.37	44.41	7.32	17.40	26.02	10.47	26.93
36	900	9.45	38.46	27.72	47.76	7.32	17.40	27.13	10.47	26.93
40	1000	11.81	39.69	29.49	48.98	8.66	18.94	29.33	9.09	28.46
44	1100	11.81	34.69	30.71	56.02	8.66	20.20	30.83	11.02	31.06
48	1200	13.78	35.87	33.46	57.99	8.66	20.20	30.83	11.02	31.06

ROTARY DAMPER

- BUTTERFLY VALVE FOR AIR VOLUME CONTROL (COMPLETE SEALING IS NOT AVAILABLE.)

BASIC SPECIFICATIONS

VALVE TYPE ————— **ROTARY DAMPER**

SIZE / LEVER TYPE — 40 mm—600 mm (1 1/2 inch—24 inch)

BODY MATERIAL ——— **U-PVC** **PP** **PVDF**

SEAL MATERIAL ——— **EPDM** **FKM** **PTFE** etc.

CONNECTION / WAFER — **JIS10K, JIS5K, DIN, ANSI**

	FLUID TEMPERATURE	MAXIMUM WORKING PRESSURE (NORMAL TEMPERATURE) MPa(kgf/cm ²)	
		40mm—200mm	250mm—600mm
U-PVC	0°C ~ 50°C	0.1 {1.02}	0.05 {0.51}
PP	-20°C ~ 80°C	0.1 {1.02}	0.05 {0.51}
PVDF	-20°C ~ 120°C	0.1 {1.02}	0.05 {0.51}

NOTE The maximum working pressure is the value including the water hammer pressure. Be careful that the maximum working pressure is not exceeded during use.
 * Concerning the allowable pressure for each temperature and material, see the technical documents at the end of this catalog.



PARTS LIST **MANUAL**

For parts list, see **OP. 105 and 106.**

SPECIFICATION LIST **MANUAL**

LEVER TYPE	SIDE GEAR TYPE	TOP GEAR TYPE	
<input checked="" type="radio"/>	<input checked="" type="radio"/>	<input checked="" type="radio"/>	
CHAIN TYPE	LONG STEM TYPE	FLOAT TYPE	WITH LIMIT SWITCH
<input checked="" type="radio"/>	<input checked="" type="radio"/>	<input type="radio"/>	<input checked="" type="radio"/>

* For other specifications, contact our sales office in your area.

COMPATIBLE ACTUATOR **AUTOMATIC**

PNEUMATIC	TYPE TA	For detailed specifications, see P.123	ELECTRIC	TYPE T	For detailed specifications, see P.139
			ELECTRIC	TYPE S	For detailed specifications, see P.133

PRODUCT MODEL CODE LIST

MANUAL

AUTOMATIC

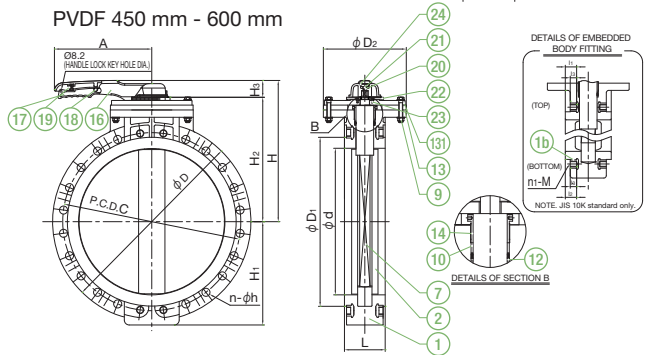
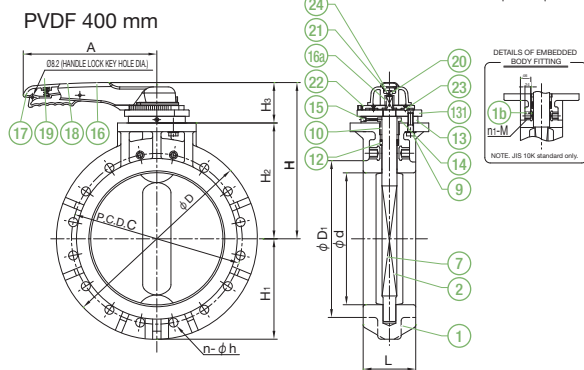
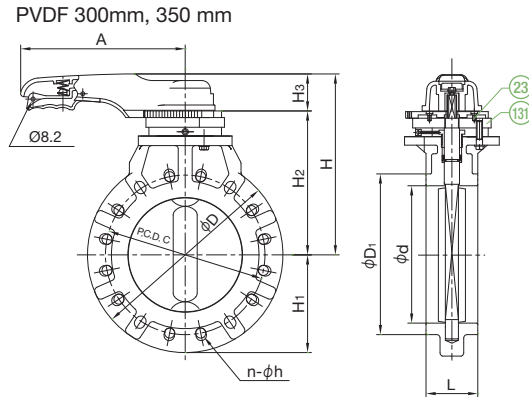
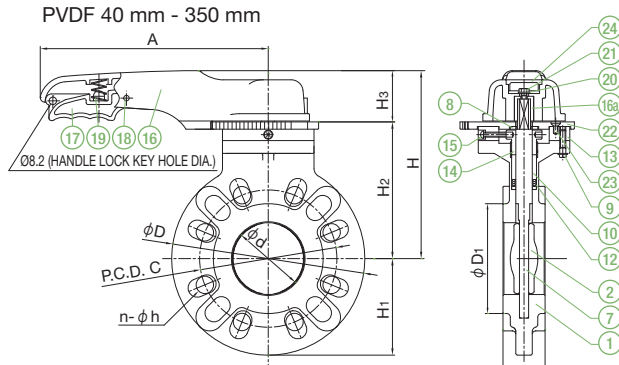
ACTUATION	TYPE	ACTUATOR TYPE	OPERATION SYSTEM / ACTION / POWER SOURCE	BODY MATERIAL	SEAL MATERIAL	CONNECTION	STANDARD	SIZE
*	**	**	*	*	*	W	*	***
MANUAL V MANUAL VALVE	D7 TYPE 57 D6 TYPE 56 DP TYPE 75	PNEUMATIC K TYPE TA	MANUAL LV LEVER TYPE SG SIDE GEAR TYPE	U U-PVC P PP F PVDF	E EPDM V FKM T PTFE	W WAFER	1 JIS10K 5 JIS5k W — D DIN A ANSI	40 40mm } 600 600mm

* Specify only in the case of automatic type.

ELECTRIC
1 Single-Phase 100V
2 Single-Phase 200V
3 Three-Phase AC200V
4 Three-Phase AC400V

ROTARY DAMPER (BODY MATERIAL — PVDF)

TYPE — VD7LV, VD6LV, VDPLV, VD7SG, VD6SG, VDPSG
CONNECTION / WAFER — JIS, DIN, ANSI



PART NO. / NAME	QTY	MATERIAL	MEMO
1 BODY	1	PVDF	
2 DISC	1	PVDF	
7 STEM	1	PVDF	
8 STEM HOLDER (A)	1	SUS304	Used for 40 mm - 250 mm.
9 BOLT (A)	4	SUS304	Used for 40 mm - 400 mm.
	3	SUS304	Used for 450 mm - 600 mm.
10 BUSH (A)	1	PTFE	Used for 40 mm - 350 mm.
	1	PVDF	Used for 400 mm - 600 mm.
12 V PACKING	1 SET	PTFE	

PART NO. / NAME	QTY	MATERIAL	MEMO
13 SPACER (A)	1 SET	C-PVC	
14 GLAND	1	PVDF	
15 SCREW (A)	1	SUS304	Used for 40 mm - 400 mm.
16 EMBEDDED HANDLE FITTING	1	SUS316	Used for 40 mm - 400 mm.
17 HANDLE LEVER	1	PPG	
18 PIN	1	PPG	
19 SPRING	1	SUS304	
20 WASHER (A)	1	SUS304	
21 BOLT (B)	1	SUS304	

PART NO. / NAME	QTY	MATERIAL	MEMO
22 LOCKING PLATE	1	PPG	
23 SET SCREW (B)	4	SUS304	300mm, 350mm, 450mm-600mm
	2		Used for 40 mm - 250 mm, 400 mm.
24 CAP (A)	1	PP	
13 STEM HOLDER (C)	1	PP	Used for 300 mm - 600 mm.
16 EMBEDDED BODY FITTING	4	C3604	Used for JIS10K standard 400 mm.
	8		Used for JIS10K standard 450 mm - 600 mm.

■ 40 - 600 mm JIS DIN (UNIT: mm)

mm	d	D	D1	L	H	H1	H2	H3	A	JIS5K			JIS10K				DIN PN10			
										C	n	h	C	n	h	ni	M	C	n	h
40	46	150	86	32	179	75	123	56	220	95	4	15	105	4	19	-	-	110	4	18
50	57	165	96	35	189	83	133	56	220	105	4	15	120	4	19	-	-	125	4	18
65	70	185	116	37	199	93	143	56	220	130	4	15	140	4	19	-	-	145	4	18
80	78	211	120	37	214	106	158	56	250	145	4	19	150	8	19	-	-	160	8	18
100	103	238	152	47	229	119	173	56	250	165	8	19	175	8	19	-	-	180	8	18
125	128	263	190	57	257	132	188	69	320	200	8	19	210	8	23	-	-	210	8	18
150	150	285	208	62	272	143	203	69	320	230	8	19	240	8	23	-	-	240	8	22
200	195	340	264	76	303	170	234	69	400	280	8	19	290	12	23	-	-	295	8	22
250	251	409	322	96	346	205	277	69	400	345	12	23	355	12	25	-	-	350	12	23
300	303	472	388	116	419	236	350	69	400	390	12	23	400	16	25	-	-	400	12	23
350	352	524	404	116	446	262	377	69	400	435	12	25	445	16	25	-	-	460	16	23
400	394	600	470	157	471	300	402	69	400	495	16	25	510	14	27	2	M24	515	16	27
450	441	630	525	167	491	315	422	69	400	555	16	25	565	16	27	4	M24	565	20	27
500	488	680	575	177	521	350	452	69	400	605	20	25	620	16	27	4	M24	620	20	27
600	600	790	686	197	586	424	517	69	400	715	20	27	730	20	33	4	M30	725	20	30

■ 1 1/2 inch - 24 inch ANSI (UNIT: inch)

inch	mm	d	D	D1	L	H	H1	H2	H3	A	ANSI CLASS 150		
											C	n	h
1 1/2	40	1.81	5.91	3.39	1.26	7.05	2.95	4.84	2.20	8.66	3.88	4	0.62
2	50	2.24	6.50	3.78	1.38	7.44	3.27	5.24	2.20	8.66	4.75	4	0.75
2 1/2	65	2.76	7.28	4.57	1.46	7.83	3.66	5.63	2.20	8.66	5.50	4	0.75
3	80	3.07	8.31	4.72	1.46	8.43	4.17	6.22	2.20	9.84	6.00	4	0.75
4	100	4.06	9.37	5.98	1.85	9.02	4.69	6.81	2.20	9.84	7.50	8	0.75
5	125	5.04	10.35	7.48	2.24	10.12	5.20	7.40	2.72	12.60	8.50	8	0.88
6	150	5.91	11.22	8.19	2.44	10.71	5.63	7.99	2.72	12.60	9.50	8	0.88
8	200	7.68	13.39	10.39	2.99	11.93	6.69	9.21	2.72	15.75	11.75	8	0.88
10	250	9.88	16.10	12.68	3.78	13.62	8.07	10.91	2.72	15.75	14.25	12	0.98
12	300	11.93	18.58	15.28	4.57	16.50	9.29	13.78	2.72	15.75	17.01	12	0.98
14	350	13.86	20.63	15.91	4.57	17.56	10.31	14.84	2.72	15.75	18.74	12	1.14
16	400	15.51	23.62	18.50	6.18	18.54	11.81	15.83	2.72	15.75	21.24	16	1.14
18	450	17.36	24.80	20.67	6.57	19.33	12.40	16.61	2.72	15.75	22.76	16	1.26
20	500	19.21	26.77	22.64	6.97	20.51	13.78	17.80	2.72	15.75	25.00	20	1.26
24	600	23.62	31.10	27.01	7.76	23.07	16.69	20.35	2.72	15.75	29.51	20	1.38

AUTOMATIC

PNEUMATIC

TYPE TA

DOUBLE ACTING

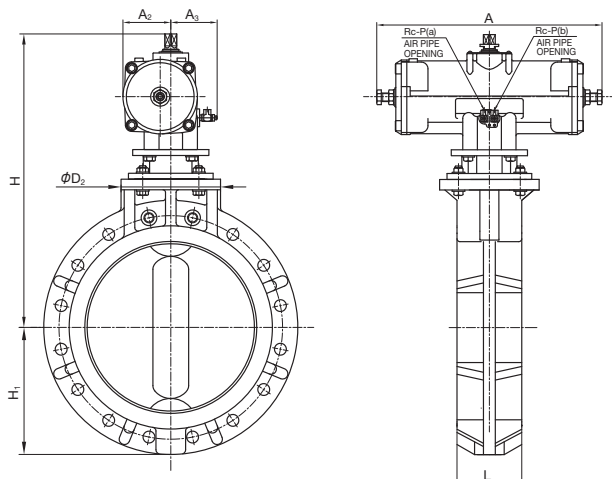
AIR TO OPEN

AIR TO CLOSE

ROTARY DAMPER TYPE 56

TYPE—AD6K

CONNECTION / WAFER—JIS, DIN, ANSI



ACTUATOR SELECTION CHART

SIZE	ACTUATOR TYPE
400mm (16inch)	TA2A-160D

For detailed specifications, see **P.123**

■ JIS, DIN (Unit: mm)

mm	L	D ₂	H		H ₁	A	A ₂	A ₃	P
			PP	PVDF					
400	157	235	693	709	300	532	113	116	1/4

■ ANSI (Unit: inch)

inch	mm	L	H		H ₁	A	A ₂	A ₃	P	
			PP	PVDF						
16	400	6.18	9.25	27.28	27.91	11.81	20.94	4.45	4.57	1/4

AUTOMATIC

PNEUMATIC

TYPE TA

DOUBLE ACTING

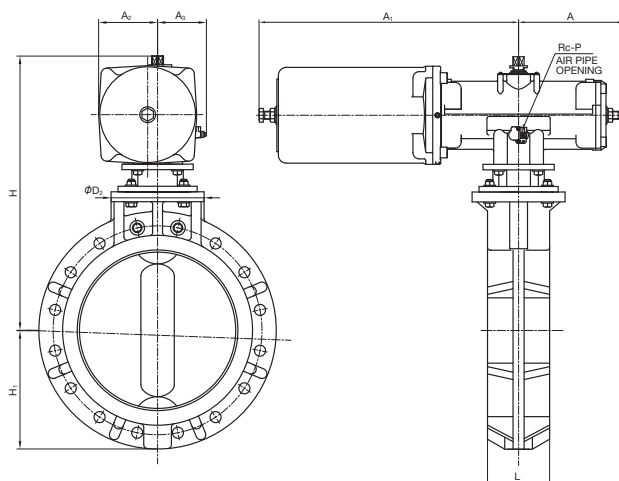
AIR TO OPEN

AIR TO CLOSE

ROTARY DAMPER TYPE 56

TYPE—AD6K

CONNECTION / WAFER—JIS, DIN, ANSI



ACTUATOR SELECTION CHART

SIZE	ACTUATOR TYPE
400mm (16inch)	TA2A-160R2

For detailed specifications, see **P.123**

■ JIS, DIN (Unit: mm)

mm	L	D ₂	H		H ₁	A	A ₁	A ₂	A ₃	P
			PP	PVDF						
400	157	235	693	709	300	658	266	149	130	1/4

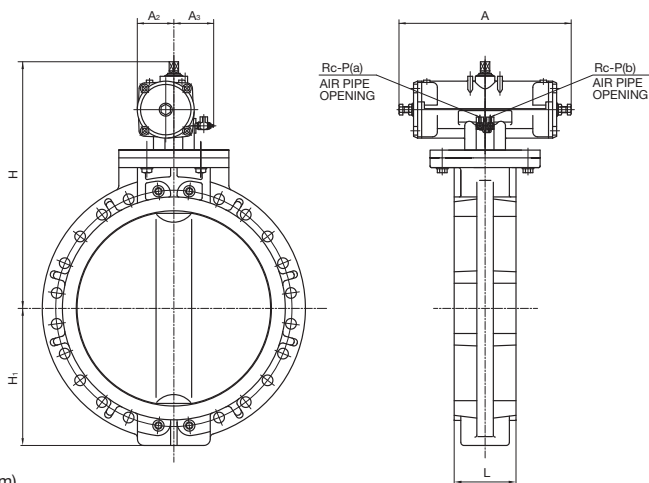
■ ANSI (Unit: inch)

inch	mm	L	H		H ₁	A	A ₁	A ₂	A ₃	P	
			PP	PVDF							
16	400	6.18	9.25	27.28	27.91	11.81	25.91	10.47	5.87	5.12	1/4

AUTOMATIC PNEUMATIC TYPE TA
DOUBLE ACTING
 AIR TO OPEN
 AIR TO CLOSE

ROTARY DAMPER TYPE 75

TYPE—ADPK
 CONNECTION / WAFER—JIS, DIN, ANSI



ACTUATOR SELECTION CHART

SIZE	ACTUATOR TYPE
450mm (18inch)	TA2A-160D
500mm (20inch)	
600mm (24inch)	

For detailed specifications, see P.123

■ JIS, DIN (Unit: mm)

mm	L	PP	H	PVDF	H ₁	A	A ₂	A ₃	P
450	167	671	680	315	532	113	116	1/4	
500	177	701	709	350	532	113	116	1/4	
600	197	766	772	424	532	113	116	1/4	

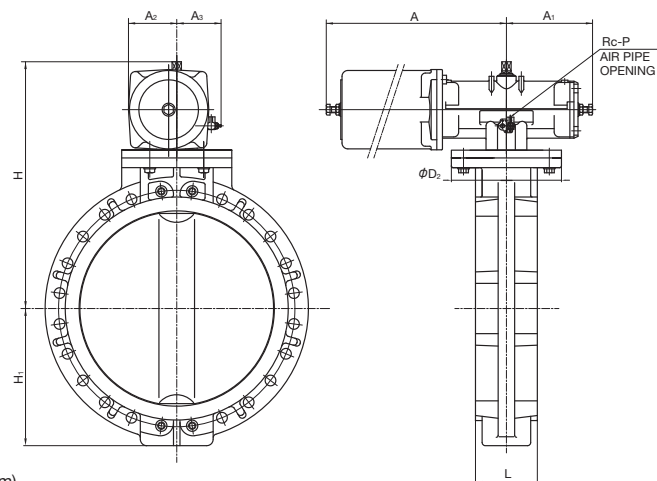
■ ANSI (Unit: inch)

inch	mm	L	PP	H	PVDF	H ₁	A	A ₂	A ₃	P
18	450	6.57	26.42	26.77	12.40	20.94	4.45	4.57	1/4	
20	500	6.97	27.60	27.91	13.78	20.94	4.45	4.57	1/4	
24	600	7.76	30.16	30.39	16.69	20.94	4.45	4.57	1/4	

AUTOMATIC PNEUMATIC TYPE TA
DOUBLE ACTING
 AIR TO OPEN
 AIR TO CLOSE

ROTARY DAMPER TYPE 75

TYPE—ADPK
 CONNECTION / WAFER—JIS, DIN, ANSI



ACTUATOR SELECTION CHART

SIZE	ACTUATOR TYPE
450mm (18inch)	TA2A-160R2
500mm (20inch)	
600mm (24inch)	

For detailed specifications, see P.123

■ JIS, DIN (Unit: mm)

mm	L	D ₂	PP	H	PVDF	H ₁	A	A ₁	A ₂	A ₃	P
450	167	340	671	680	315	658	266	149	130	1/4	
500	177	340	701	709	350	658	266	149	130	1/4	
600	197	340	766	772	424	658	266	149	130	1/4	

■ ANSI (Unit: inch)

inch	mm	L	D ₂	PP	H	PVDF	H ₁	A	A ₁	A ₂	A ₃	P
18	450	6.57	13.39	26.42	26.77	12.40	25.91	10.47	5.87	5.12	1/4	
20	500	6.97	13.39	27.60	27.91	13.78	25.91	10.47	5.87	5.12	1/4	
24	600	7.76	13.39	30.16	30.39	16.69	25.91	10.47	5.87	5.12	1/4	

